

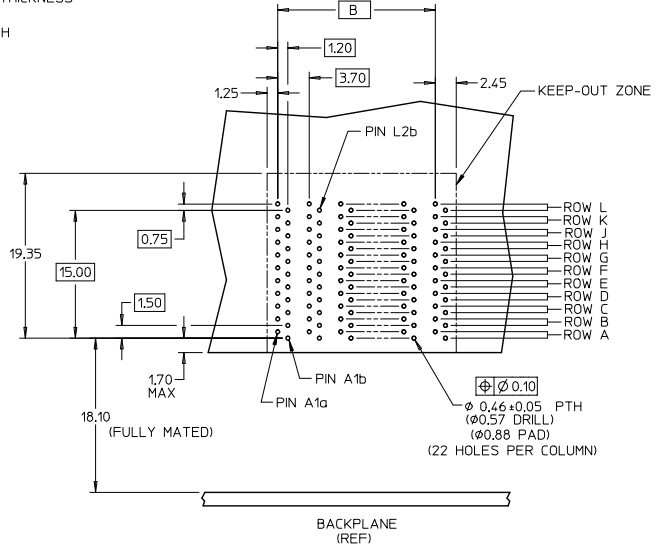
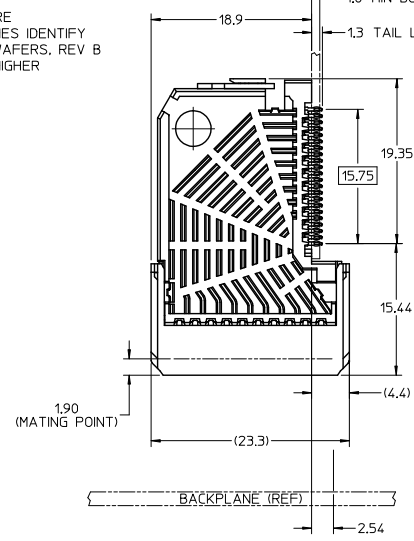
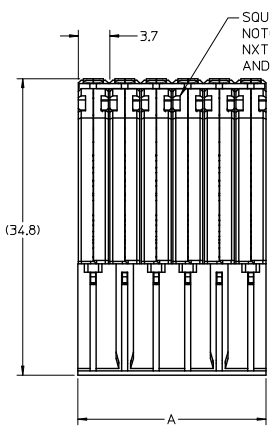
Excellent Integrated System Limited

Stocking Distributor

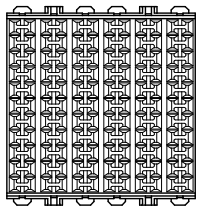
Click to view price, real time Inventory, Delivery & Lifecycle Information:

[Molex Connector Corporation](#)
[0766801010](#)

For any questions, you can email us directly:
sales@integrated-circuit.com



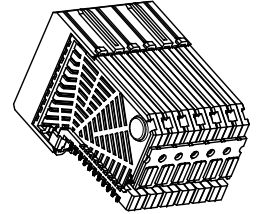
DAUGHTERCARD HOLE PATTERN (CONNECTOR SIDE)



- NOTES:
1. MATERIALS: HOUSING - LIQUID CRYSTAL POLYMER (LCP) GLASS-FILLED, UL94V-0
TERMINALS - HIGH PERFORMANCE COPPER ALLOY
 2. FINISH: SELECTIVE GOLD IN CONTACT AREA,
SELECTIVE MATTE TIN ON PCB TAILS, NICKEL OVERALL.
 3. REFER TO MOLEX PRODUCT SPEC PS-75710-999 FOR PERFORMANCE SPECIFICATIONS.
 4. PRODUCT IS PACKAGED PER PK-70873-609.
 5. THIS PART CONFORMS TO CLASS B REQUIREMENTS OF COSMETIC SPEC PS-45499-002.
 6. MAPS (MOLEX ADVANCED PLATING SYSTEM).

LEAD FREE CON/MAPS EC NO: UCPC2015-412 DRAWN BY: 2013/04/01 CHK: 2013/04/01 APPR: 2013/07/15	QUALITY SYMBOLS ∇=0 ∇=0 ∇=0	GENERAL TOLERANCES (UNLESS SPECIFIED)		DIMENSION STYLE		SCALE	DESIGN UNITS	THIRD ANGLE PROJECTION	
				MM ONLY		3:1	METRIC		
		4 PLACES ± --- ± --- 3 PLACES ± --- ± --- 2 PLACES ± 0.13 ± --- 1 PLACE ± 0.25 ± --- 0 PLACE ± --- ± ---		DRAWN BY: MCARRANZA CHECKED BY: JLAURX APPROVED BY: JLAURX		DATE	DATE	DATE	DATE
		ANGULAR ± 1/2° DRAFT WHERE APPLICABLE MUST REMAIN WITHIN DIMENSIONS		MATERIAL NO. SEE CHART		DATE	DATE	DATE	DATE
				TITLE I-TRAC NXT DAUGHTERCARD 11 ROW SIGNAL MODULE UNGUIDED SALES DWG		DOCUMENT NO. SD-76680-001		SHEET NO. 1 OF 2	
				THIS DRAWING CONTAINS INFORMATION THAT IS PROPRIETARY TO MOLEX INCORPORATED AND SHOULD NOT BE USED WITHOUT WRITTEN PERMISSION					

MATERIAL NUMBER	# OF COLUMNS	DIM 'A' MAX	DIM 'B'
76680-*005	5	18.50	14.80
76680-*006	6	22.20	18.50
76680-*008	8	29.60	25.90
76680-*010	10	37.00	33.30



76680-*0**

MODULE TYPE -- TAIL PLATING TYPE -- # OF COLUMNS/PLATING
 UNGUIDED -- MATTE TIN (FORMERLY TIN/LEAD)= 0 05 = 5 COL 30 GOLD
 UNGUIDED -- MATTE TIN = 1 06 = 6 COL 30 GOLD
 08 = 8 COL 30 GOLD
 10 = 10 COL 30 GOLD
 25 = 5 COL 10 GOLD (MAPS)
 26 = 6 COL 10 GOLD (MAPS)
 28 = 8 COL 10 GOLD (MAPS)
 20 = 10 COL 10 GOLD (MAPS)

SEE SHEET 1 EC NO: UCP2013-4121 DRAWN BY: DRW/WHITPLE 2013/04/01 CHECKED BY: CHK/KIMOLFE 2013/04/01 APPROVED BY: APPR/S MILLER 2013/07/15	QUALITY SYMBOLS	GENERAL TOLERANCES (UNLESS SPECIFIED)	DIMENSION STYLE	SCALE	DESIGN UNITS	THIRD ANGLE PROJECTION
	▽=0	mm INCH	MM ONLY	1:1	METRIC	
	▽=0	4 PLACES ± --- ± ---	DRAWN BY DATE	TITLE		
	▽=0	3 PLACES ± --- ± ---	MCARRANZA 2008/5/12	I-TRAC NXT DAUGHTERCARD		
	2 PLACES ± 0.13 ± ---	CHECKED BY DATE	11 ROW SIGNAL MODULE			
	1 PLACE ± 0.25 ± ---	JLAURX 2008/5/12	UNGUIDED SALES DWG			
	0 PLACE ± --- ± ---	APPROVED BY DATE				
	ANGULAR ± 1/2°	JLAURX 2008/5/12				
	DRAFT WHERE APPLICABLE MUST REMAIN WITHIN DIMENSIONS	MATERIAL NO.	SEE CHART	DOCUMENT NO.	SD-76680-001	SHEET NO. 2 OF 2
		SIZE	THIS DRAWING CONTAINS INFORMATION THAT IS PROPRIETARY TO MOLEX INCORPORATED AND SHOULD NOT BE USED WITHOUT WRITTEN PERMISSION			