

Excellent Integrated System Limited

Stocking Distributor

Click to view price, real time Inventory, Delivery & Lifecycle Information:

[Molex Connector Corporation](#)
[0782491001](#)

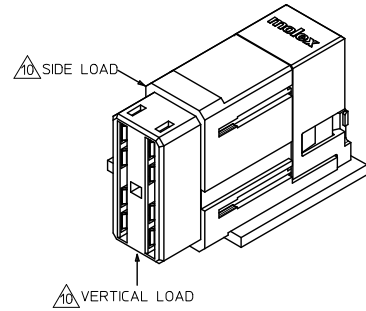
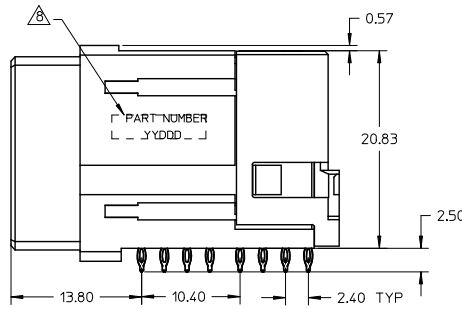
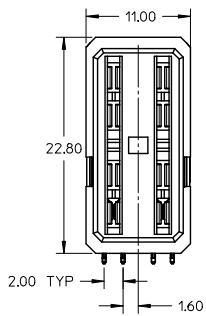
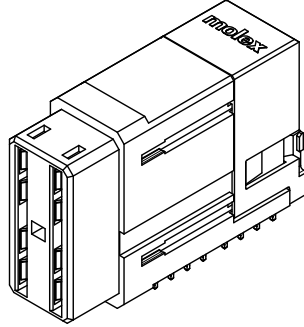
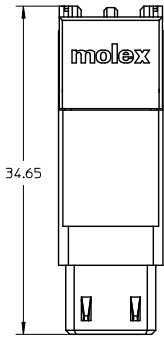
For any questions, you can email us directly:

sales@integrated-circuit.com

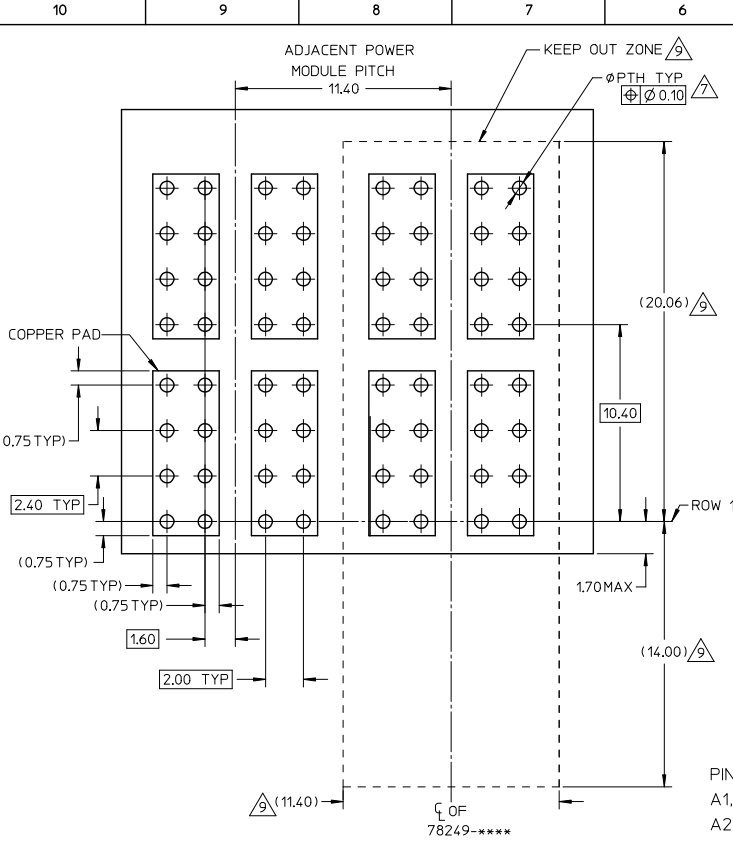
10	9	8	7	6	5	4	3	2	1
PART NUMBER	PLATING OPTIONS	PACKAGING							
78249-1001	TIN PLATING	TRAY							

NOTES:

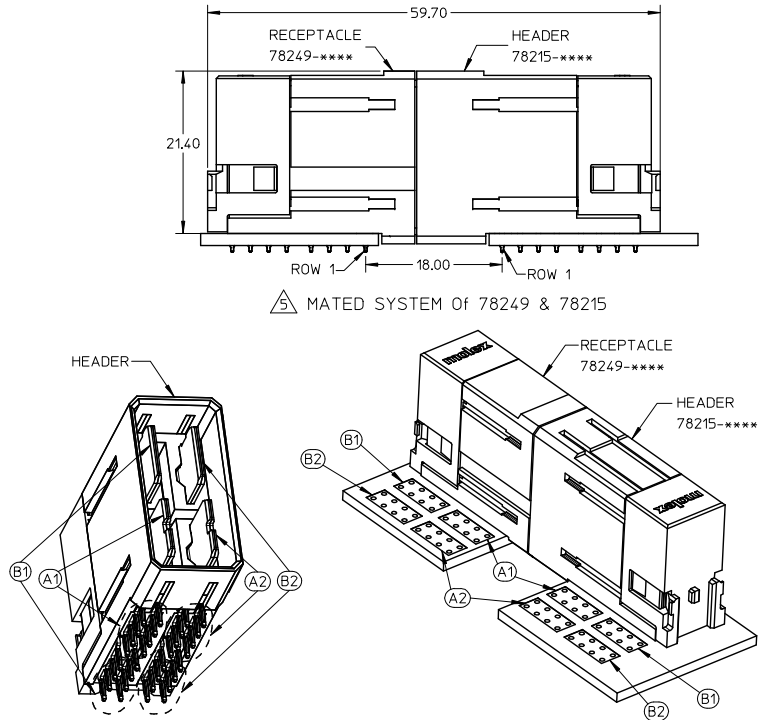
1. MATERIAL:
HOUSING - LCP, GLASS FILLED, UL94-V0, COLOR: BLACK
POWER PIN - COPPER ALLOY
2. FINISH OPTION:
TIN - 0.76µm MINIMUM GOLD AT CONTACT AND
2.54µm MINIMUM TIN AT SOLDERTAIL AREA OVER
1.27µm MINIMUM NICKEL UNDERPLATE OVERALL.
3. PRODUCT SPECIFICATION: PS-78213-001.
4. PACKAGING SPECIFICATION: PK-78249-001
5. Mates with 78215-**** OR 78351-****
6. REFER TO SHEET 2 FOR PCB RECOMMENDED PCB LAYOUT.
7. REFER TO MOLEX PRODUCT SPECIFICATION PS-78213-001 FOR PLATED TROUGH-HOLE SPECIFICATION.
8. PART NUMBER AND DATE CODE (YYDDD) APPROXIMATELY SHOWN.
9. KEEP OUT ZONE FROM OTHER COMPONENTS.
10. A HOLD DOWN MODULE (78352 SERIES) SHALL BE EMPLOYED IF THERE IS A SIDE LOAD OR VERTICAL LOAD ACTING ON THE CONNECTOR, THIS IS TO PREVENT THE CONNECTOR FROM DISLOCATED FROM PCB.



ADD VIEW @ PGZ EC NO: S2014-0872 DRAWN: SHONG CHKD: CHCOH APPR: SHILENI 2015/01/16 2015/04/07 2015/04/07	QUALITY SYMBOLS √=0 ∇=0 ∇=0	GENERAL TOLERANCES (UNLESS SPECIFIED)		DIMENSION STYLE		SCALE	DESIGN UNITS	THIRD ANGLE PROJECTION		
		mm	INCH	MM ONLY		NTS	METRIC			
		4 PLACES ± --- ± ---	3 PLACES ± --- ± ---	DRAWN BY	DATE	TITLE				
		2 PLACES ± 0.25 ± ---	1 PLACE ± --- ± ---	CTCHO	2012/02/28	IMPACT POWER, 5 PAIR RIGHT ANGLE RECEPTACLE PRESS-FIT				
ANGULAR ± 3°		DRAFT WHERE APPLICABLE MUST REMAIN WITHIN DIMENSIONS		APPROVED BY	DATE	MOLEX INCORPORATED		SHEET NO.		
SEE TABLE		MATERIAL NO.		SHONG	2012/03/22	DOCUMENT NO.		1 OF 2		
				THIS DRAWING CONTAINS INFORMATION THAT IS PROPRIETARY TO MOLEX INCORPORATED AND SHOULD NOT BE USED WITHOUT WRITTEN PERMISSION						



RECOMMENDED PCB LAYOUT
(COMPONENT SIDE SHOWN)
MINIMUM BOARD THICKNESS: 1.60mm



PIN NUMBER ASSIGNMENT BASED ON HEADER SIDE:
A1, B1 ON THE LEFT,
A2, B2 ON THE RIGHT.

CIRCUIT PATH OF MATED SYSTEM
(78249 & 78215)

ADD VIEW @ PGZ EC NO: S2014-0872 DRAWN: SHONG 2015/01/16 CHKD: CHCOH 2015/04/07 APPR: SILLENI 2015/04/07 REV B1	QUALITY SYMBOLS $\nabla = 0$ $\nabla = 0$ $\nabla = 0$	GENERAL TOLERANCES (UNLESS SPECIFIED) <table border="1"> <tr> <th></th> <th>mm</th> <th>INCH</th> </tr> <tr> <td>4 PLACES</td> <td>\pm---</td> <td>\pm---</td> </tr> <tr> <td>3 PLACES</td> <td>\pm---</td> <td>\pm---</td> </tr> <tr> <td>2 PLACES</td> <td>± 0.25</td> <td>\pm---</td> </tr> <tr> <td>1 PLACE</td> <td>\pm---</td> <td>\pm---</td> </tr> <tr> <td colspan="3">ANGULAR $\pm 3^\circ$</td> </tr> </table>		mm	INCH	4 PLACES	\pm ---	\pm ---	3 PLACES	\pm ---	\pm ---	2 PLACES	± 0.25	\pm ---	1 PLACE	\pm ---	\pm ---	ANGULAR $\pm 3^\circ$			DIMENSION STYLE MM ONLY DRAWN BY DATE CTCHO 2012/02/28 CHECKED BY DATE LNG 2012/02/28 APPROVED BY DATE SHONG 2012/03/22	SCALE NTS DESIGN UNITS METRIC THIRD ANGLE PROJECTION	TITLE IMPACT POWER, 5 PAIR RIGHT ANGLE RECEPTACLE PRESS-FIT MOLEX INCORPORATED DOCUMENT NO. SD-78249-001 SHEET NO. 2 OF 2
		mm	INCH																				
	4 PLACES	\pm ---	\pm ---																				
	3 PLACES	\pm ---	\pm ---																				
2 PLACES	± 0.25	\pm ---																					
1 PLACE	\pm ---	\pm ---																					
ANGULAR $\pm 3^\circ$																							
DRAFT WHERE APPLICABLE MUST REMAIN WITHIN DIMENSIONS	MATERIAL NO. SEE TABLE	THIS DRAWING CONTAINS INFORMATION THAT IS PROPRIETARY TO MOLEX INCORPORATED AND SHOULD NOT BE USED WITHOUT WRITTEN PERMISSION																					