

Excellent Integrated System Limited

Stocking Distributor

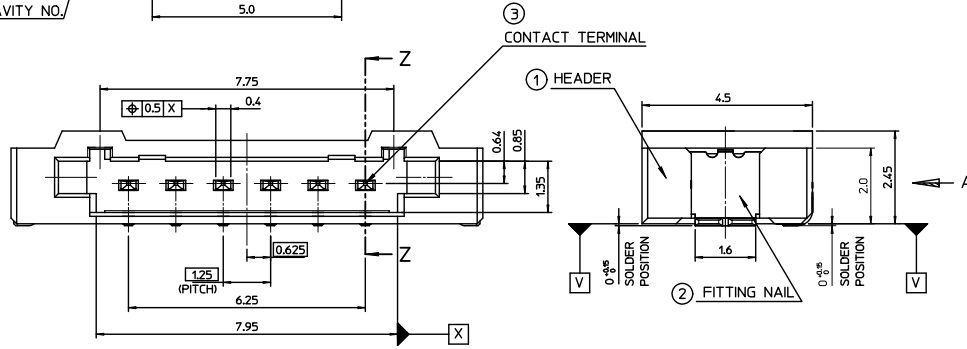
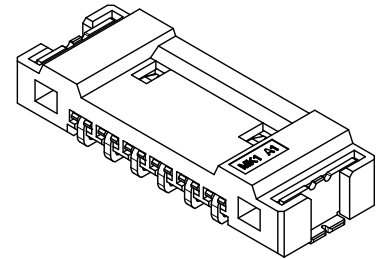
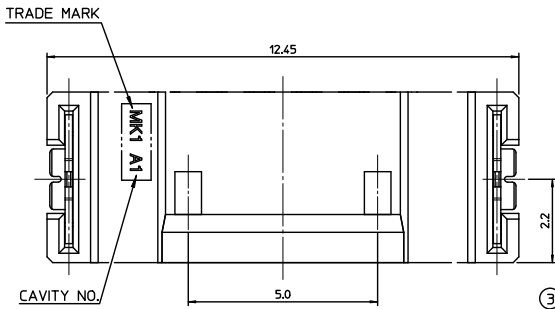
Click to view price, real time Inventory, Delivery & Lifecycle Information:

[Molex Connector Corporation](#)
[1040780610](#)

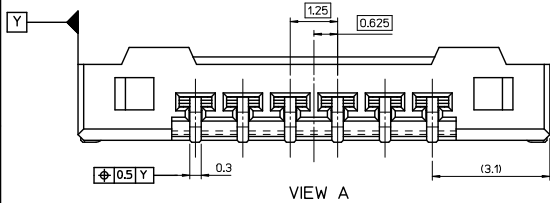
For any questions, you can email us directly:

sales@integrated-circuit.com

10 9 8 7 6 5 4 3 2 1



- NOTE**
- MATED WITH : 104077-0600, 104077-0610
 - MATERIALS
 - ① - HEADER : LCP(E130I), GLASS FILLED, UL94V-0, HALOGEN FREE, COLOR OF NATURAL
 - ② - FITTING NAIL : PHOSPHOR BRONZE, 0.20mm THICKNESS
 - ③ - CONTACT TERMINAL : POSPHOR BRONZ,0.25mm THICKNESS
 - FINISHES
 - ② - FITTING NAIL : PURE-TIN PLATING ON OVERALL. THICKNESS 3.0µm~5.0µm UNDER PLATING Ni OVERALL. THICKNESS 1.25µm~3.75µm
 - ③ - CONTACT TERMINAL : PURE-TIN PLATING ON OVERALL. THICKNESS 3.0µm~5.0µm UNDER PLATING Ni OVERALL. THICKNESS 1.25µm~3.75µm
 - COPLANALITY OF SOLDER TAILS (PEAK TEMP. : 260°C), BEFORE & AFTER REFLOW : 0.08MAX



NEW RELEASED
EC NO: KOR2011-0057
DRAWN:GCHN 2010/12/02
CHKD:SH. CHU 2010/12/02
APPR: TUNSIKKIM 2010/12/02

QUALITY SYMBOLS	GENERAL TOLERANCES (UNLESS SPECIFIED)	
	mm	INCH
▽=0	4 PLACES ± ---	± ---
▽=0	3 PLACES ± ---	± ---
	2 PLACES ± 0.20	± ---
	1 PLACE ± 0.25	± ---
	ANGULAR ± 1 °	

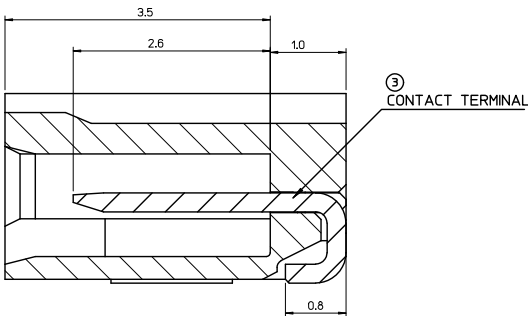
DRAFT WHERE APPLICABLE MUST REMAIN WITHIN DIMENSIONS

DIMENSION STYLE		SCALE
MM ONLY		10:1
DRAWN BY	DATE	TITLE
JB. JIN	2010/06/29	125 W-T-B CONN. HEADER ASS'Y-6P
CHECKED BY	DATE	
SH. CHU	2010/06/29	
APPROVED BY	DATE	
YS00.KIM	2010/06/29	
MATERIAL NO.	1040780610	DOCUMENT NO.
		SD-104078-001

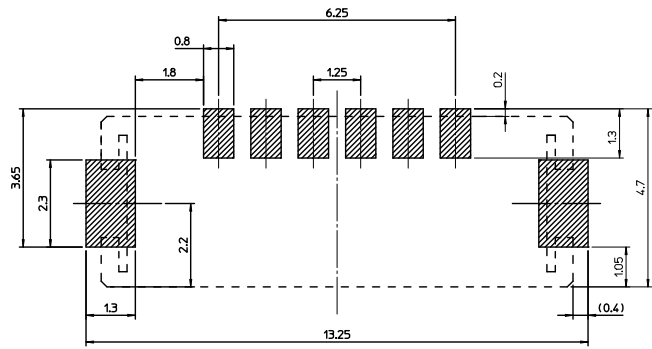
ORDER NUMBER	104078-0610
DESIGN UNITS	METRIC
THIRD ANGLE PROJECTION	
MOLEX INCORPORATED	
SHEET NO.	1 OF 02

9 8 7 6 5 4 3 2 1

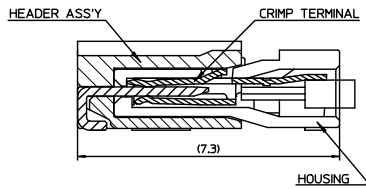
10 9 8 7 6 5 4 3 2 1



SECTION Z-Z (SCALE 20:1)



RECOMMEND PATTERN (REF.)
(GENERAL TOLERANCE ±0.05)

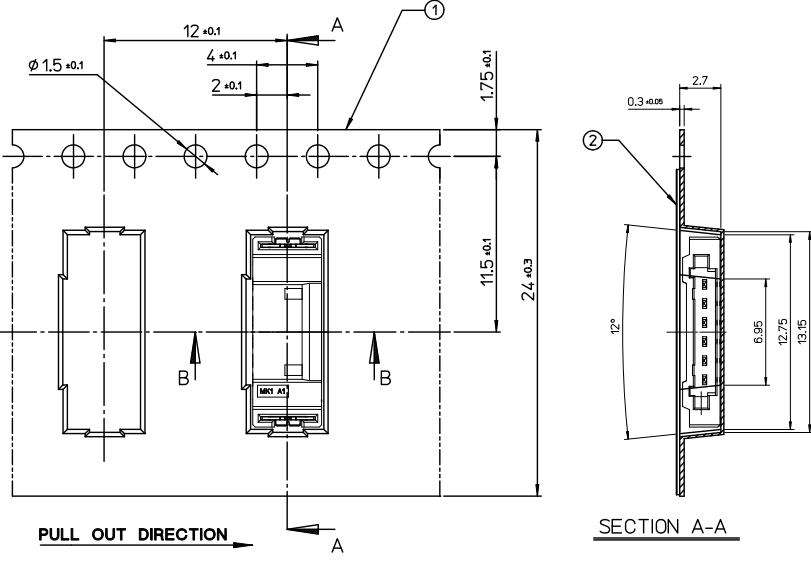


MATED CONDITION (REF.)

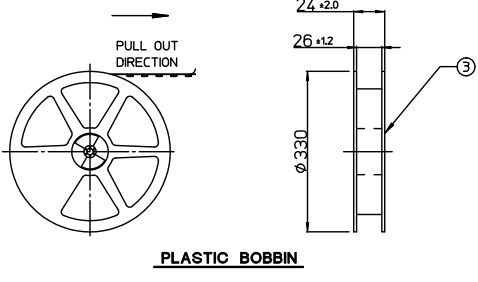
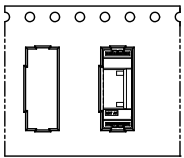
<p>NEW RELEASED EC NO: KOR2011-0057 DRAWN: GCHN 2010/12/02 CHKD: SR. CHU 2010/12/02 APPR: TUNSIKKIM 2010/12/02</p>	QUALITY SYMBOLS	GENERAL TOLERANCES (UNLESS SPECIFIED)		DIMENSION STYLE		SCALE	DESIGN UNITS	THIRD ANGLE PROJECTION	
	▼=0	mm	INCH	MM ONLY		10:1	METRIC	☉ □	
	▽=0	4 PLACES ± --- ± ---	3 PLACES ± --- ± ---	DRAWN BY	DATE	TITLE			
		2 PLACES ± 0.20 ± ---	1 PLACE ± 0.25 ± ---	CHECKED BY	DATE	125 W-T-B CONN. HEADER ASS'Y-6P			
	ANGULAR ± 1 °	DRAFT WHERE APPLICABLE MUST REMAIN WITHIN DIMENSIONS		APPROVED BY	DATE	MOLEX INCORPORATED		SHEET NO.	
				MATERIAL NO.	1040780610	DOCUMENT NO.	SD-104078-001	2 OF 02	
				THIS DRAWING CONTAINS INFORMATION THAT IS PROPRIETARY TO MOLEX INCORPORATED AND SHOULD NOT BE USED WITHOUT WRITTEN PERMISSION					

9 8 7 6 5 4 3 2 1

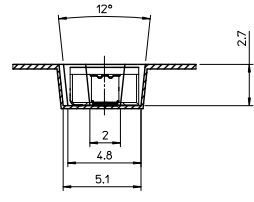
10 9 8 7 6 5 4 3 2 1



SECTION A-A



PLASTIC BOBBIN



SECTION B-B

NOTES

1. QUANTITY OF CONNECTORS : 2,000 PCS/REEL
2. LEAD LENGTH
3. PEELING OFF FORCE OF COVER TAPE : 0.1N~0.59N(10.2GF~60GF)
 (PEELING DIRECTION AS SHOW IN FOLLOW FIG.)
 PEELING OFF SPEED : 300mm/Min.(Ref.)
4. FLASH IN ANY PORTION SHOULD BE LESS THAN 0.20mm MAX.
5. UNLESS OTHERWISE SPECIFIED INNER R0.2 MAX
6. DRAFT ANGLE 3°MAX

3	PLASTIC BOBBIN	HI P.S	WHITE
2	COVER TAPE	PET ANTISTATIC	21.3m
1	CARRIER (EMBOSS) TAPE	PET ANTISTATIC	
NO.	DESCRIPTION	MATERIAL	REMARK

NEW RELEASED EC NO: KOR2011-0057 DRAWING CHIN CHKD: SH. CHU APPR: YUNS IKK IM 2010/12/02 2010/12/02 2010/12/02	QUALITY SYMBOLS 	GENERAL TOLERANCES (UNLESS SPECIFIED)		DIMENSION STYLE MM ONLY		ORDER NO. 104078-0610	SCALE 4:1	DESIGN UNITS METRIC	THIRD ANGLE PROJECTION	
		4 PLACES ± --- ± ---	3 PLACES ± --- ± ---	2 PLACES ± 0.25 ± ---	1 PLACE ± 0.25 ± ---	DRAWN BY JB. JIN DATE 2010/06/29	CHECKED BY SH. CHU DATE 2010/06/29	TITLE 1.25 W-T-B CONN. HEADER ASS'Y-6P EMBOSS PACKAGE		
		ANGULAR ± 3 °				APPROVED BY YS00. KIM DATE 2010/06/29	MOLEX INCORPORATED			
		DRAFT WHERE APPLICABLE MUST REMAIN WITHIN DIMENSIONS				MATERIAL NO. 1040780610	DOCUMENT NO. SD-104078-002	SHEET NO. 1 OF 01		

9 8 7 6 5 4 3 2 1