

Excellent Integrated System Limited

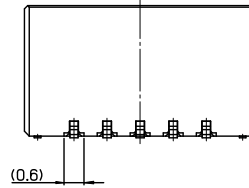
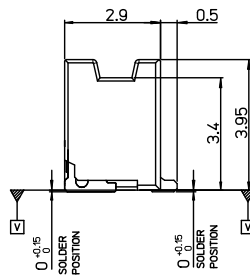
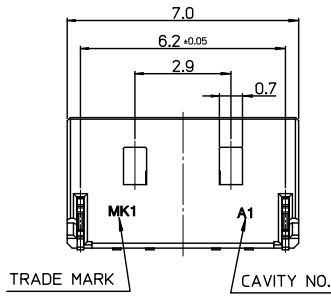
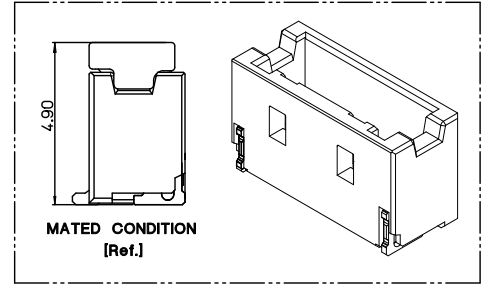
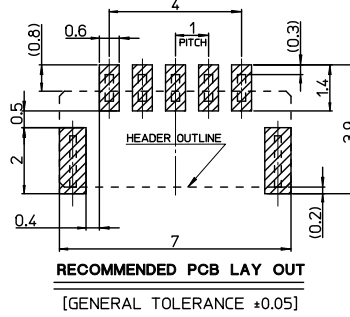
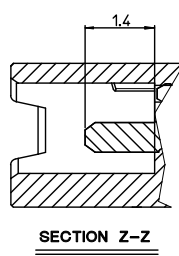
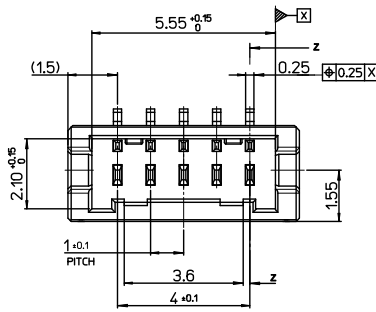
Stocking Distributor

Click to view price, real time Inventory, Delivery & Lifecycle Information:

[Molex Connector Corporation](#)
[1041270510](#)

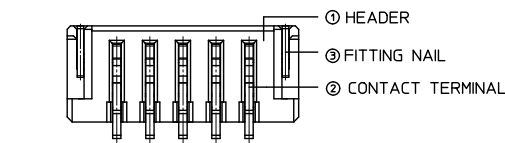
For any questions, you can email us directly:

sales@integrated-circuit.com



NOTE.

- MATED WITH : 104128-0500
- MATERIALS
 - ①HEADER : LIQUID CRYSTAL POLYMER (LCP), GLASS FILLED, UL94V-0
COLOR : NATURAL COLOR
 - ②CONTACT TERMINAL : PHOSPHOR BRONZE
 - ③FITTING NAIL : PHOSPHOR BRONZE
- FINISHES
 - ②CONTACT TERMINAL : PURE-TIN PLATING ON OVERALL. THICKNESS 3.0µm MINIMUM UNDER PLATING Ni OVERALL. THICKNESS 1.25µm MINIMUM
 - ③FITTING NAIL : PURE-TIN PLATING ON OVERALL. THICKNESS 3.0µm MINIMUM UNDER PLATING Ni OVERALL. THICKNESS 1.25µm MINIMUM
- PRODUCT SPECIFICATION : PS-104127-002
- PACKAGING SPECIFICATION : PK-104127-002
- COPLANALITH OF SOLDER TAIL (PEAK TEMP. : 260°C) BEFORE & AFTER REFLOW : 0.08MAX



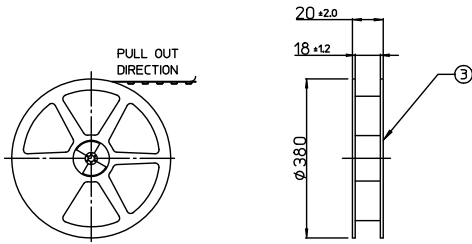
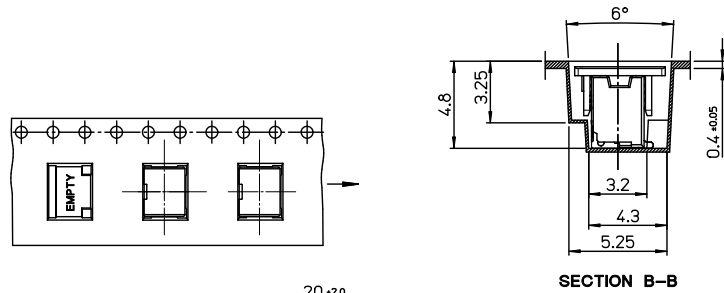
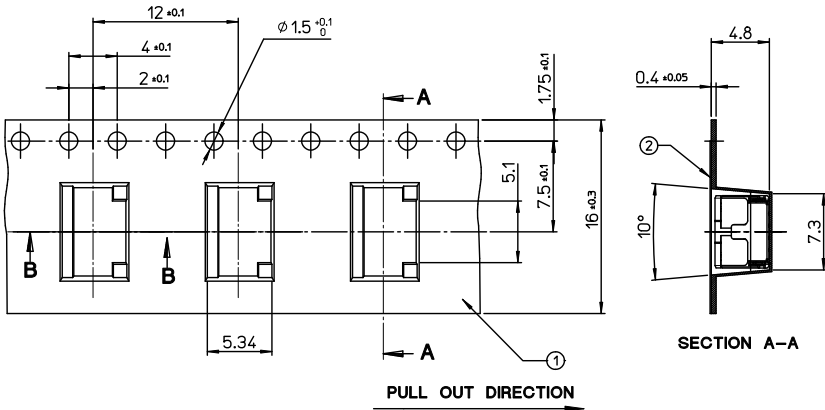
RELEASED	EC NO: 2012/02/24	QUALITY SYMBOLS
EC NO: DRWNS:HPARK01	DESCRIPTION	▽=0
CHKD: APPR:		▽=0
REV		

GENERAL TOLERANCES (UNLESS SPECIFIED)	
mm	INCH
4 PLACES ± ---	± ---
3 PLACES ± 0.005	± ---
2 PLACES ± 0.05	± ---
1 PLACE ± 0.1	± ---
ANGULAR ± 1°	
DRAFT WHERE APPLICABLE MUST REMAIN WITHIN DIMENSIONS	

DIMENSION STYLE	
MM ONLY	
DRAWN BY	DATE
JHPARK01	2012/02/24
CHECKED BY	DATE
APPROVED BY	DATE
MATERIAL NO.	DOCUMENT NO.
SEE TABLE	SD-104127-002
THIS DRAWING CONTAINS INFORMATION THAT IS PROPRIETARY TO MOLEX INCORPORATED AND SHOULD NOT BE USED WITHOUT WRITTEN PERMISSION	

ORDER NO	104127-0510
DESIGN UNITS	METRIC
THIRD ANGLE PROJECTION	
TITLE	
1.0MM WTB CONN.-5P HEADER ASS'Y	
MOLEX INCORPORATED	
SHEET NO. 1 OF 01	

10 9 8 7 6 5 4 3 2 1

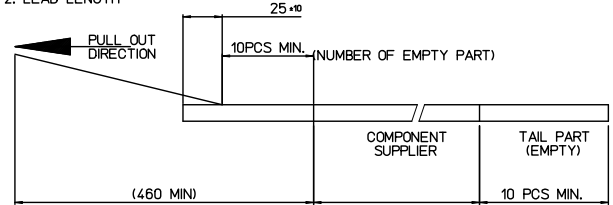


PLASTIC BOBBIN

NOTES

1. QUANTITY OF CONNECTORS : 1500 PCS/REEL

2. LEAD LENGTH



3. PEELING OFF FORCE OF COVER TAPE : 0.1N-0.59N(10.29F-60.6F)
(PEELING DIRECTION AS SHOW IN FOLLOW FIG.)
PEELING OFF SPEED : 300mm/Min.(Ref.)



4. FLASH IN ANY PORTION SHOULD BE LESS THAN 0.20mm MAX.

5. UNLESS OTHERWISE SPECIFIED INNER R0.2 MAX

6. DRAFT ANGLE 3°MAX

3	PLASTIC BOBBIN	HI P.S	WHITE
2	COVER TAPE	PET ANTISTATIC	13.3m
1	CARRIER (EMBOSSSED) TAPE	PET ANTISTATIC	16.0m
NO.	DESCRIPTION	MATERIAL	REMARK

ORDER NO 104127-0510

RELEASED EC NO: KOR2012-0092 DRAWN: JHPARK01 2012/03/07 CHKD: APPR: YSKIM02 2012/03/16 REV DESCRIPTION	QUALITY SYMBOLS ▽=0 ▽=0	GENERAL TOLERANCES (UNLESS SPECIFIED)		DIMENSION STYLE MM ONLY		SCALE	DESIGN UNITS METRIC	THIRD ANGLE PROJECTION		
		4 PLACES ± --- ± ---	3 PLACES ± --- ± ---	2 PLACES ± 0.15 ± ---	1 PLACE ± 0.20 ± ---	DRAWN BY JHPARK01	DATE 2012/02/24	TITLE		
		ANGULAR ± 1°				CHECKED BY SHCHU	DATE 2012/02/24	EMBOSSSED PACKAGE 1.0 WTB CONN. HEADER ASS'Y-5P		
		DRAFT WHERE APPLICABLE MUST REMAIN WITHIN DIMENSIONS				APPROVED BY YSKIM02	DATE 2012/03/16	MOLEX INCORPORATED		
MATERIAL NO. SEE TABLE		DOCUMENT NO. SD-104127-003		SHEET NO. 1 OF 1		THIS DRAWING CONTAINS INFORMATION THAT IS PROPRIETARY TO MOLEX INCORPORATED AND SHOULD NOT BE USED WITHOUT WRITTEN PERMISSION				

9 8 7 6 5 4 3 2 1