

## Excellent Integrated System Limited

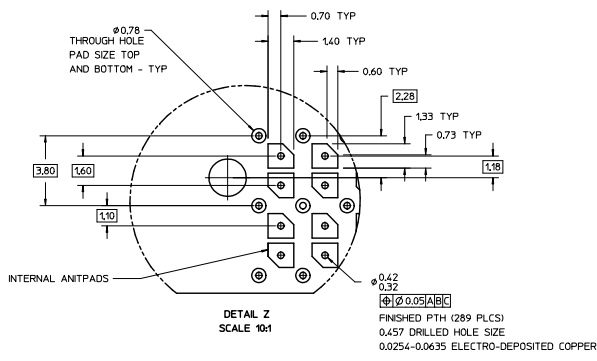
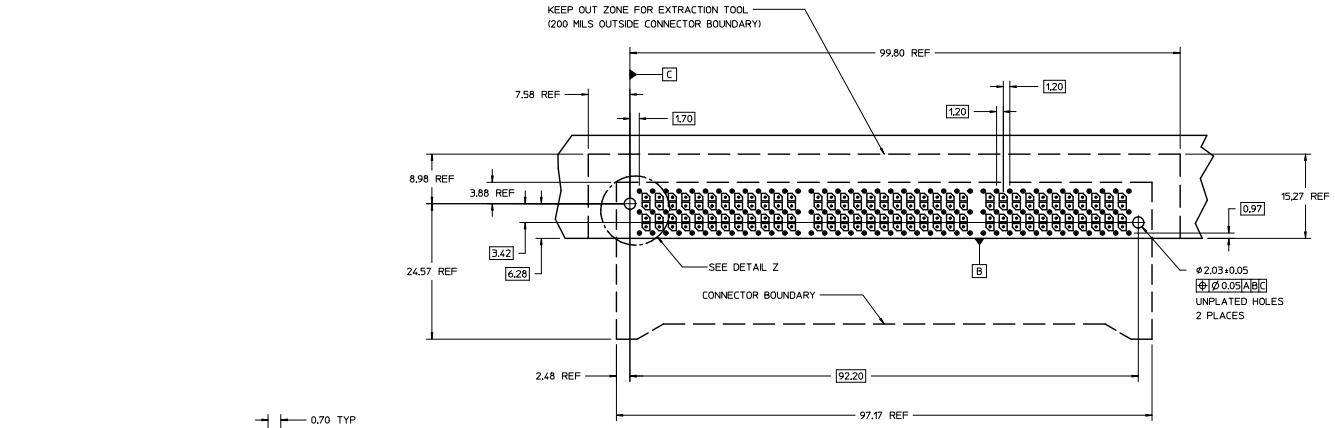
Stocking Distributor

Click to view price, real time Inventory, Delivery & Lifecycle Information:

[Molex Connector Corporation](#)  
[1700820216](#)

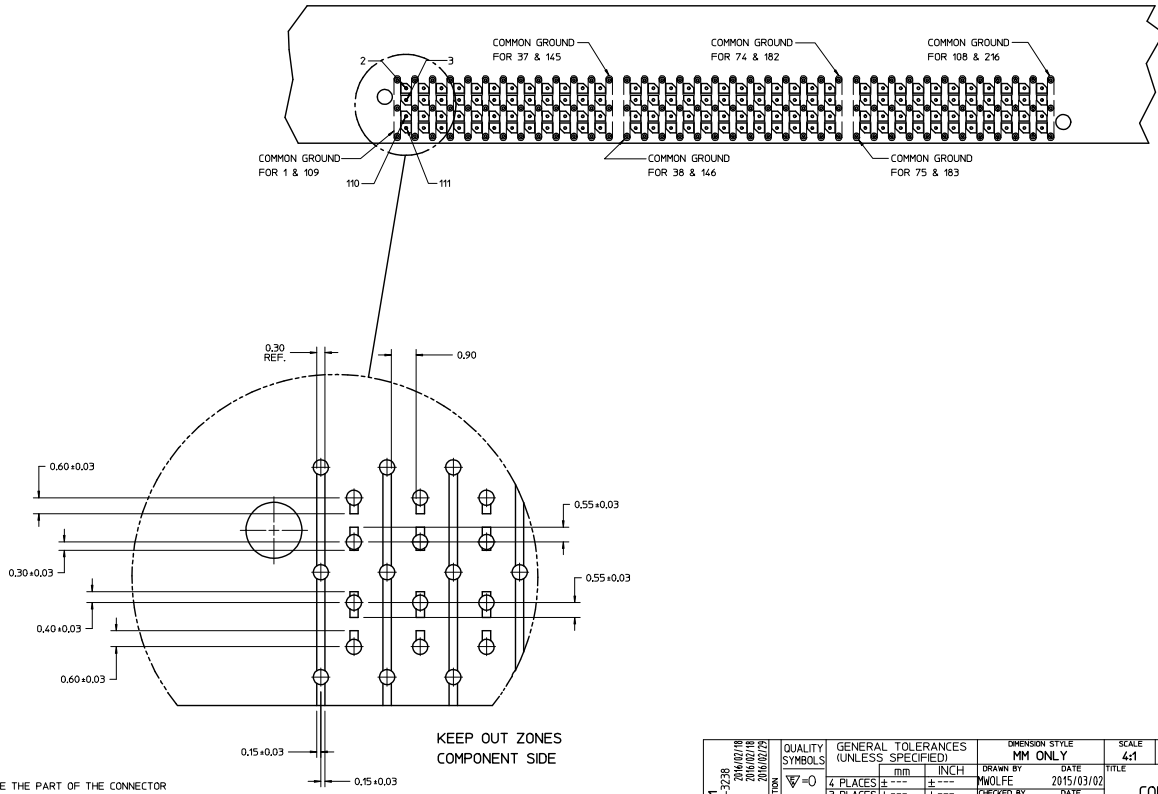
For any questions, you can email us directly:  
[sales@integrated-circuit.com](mailto:sales@integrated-circuit.com)





**RECOMMENDED TAIL PATTERN  
WITH INTERNAL ANTI PADS SHOWN**

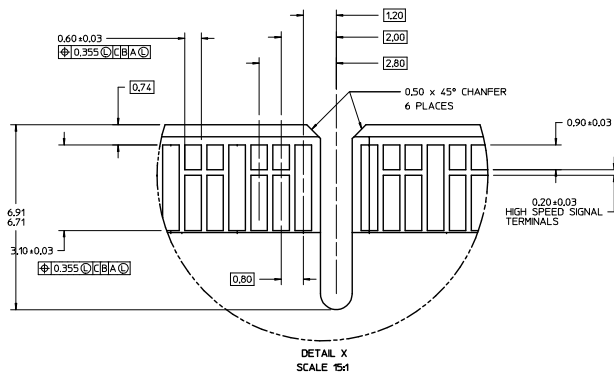
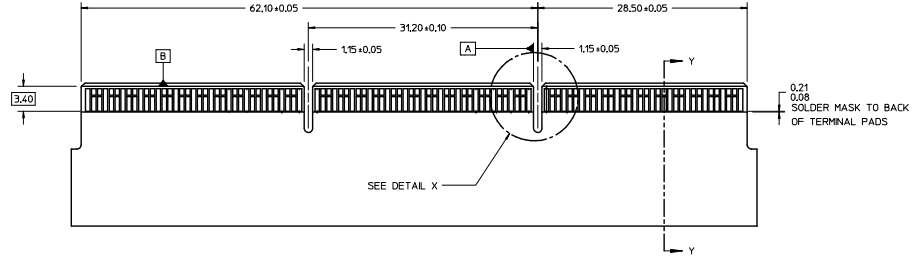
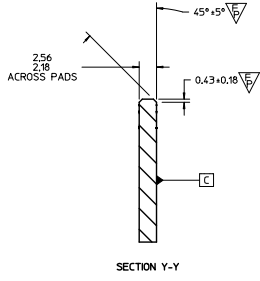
SEE SHEET 1 REC NO. 147206-3238 DRAWN BY WANG1 2016/02/18 CHECKED BY CHOKKAIN 2016/02/18 APPROVED BY CHOKKAIN 2016/02/18 DATE	QUALITY SYMBOLS	GENERAL TOLERANCES (UNLESS SPECIFIED)	DIMENSION STYLE	SCALE	DESIGN UNITS	THIRD ANGLE PROJECTION	
	∇=0 ∇=0 ∇=0	mm INCH 4 PLACES ±--- ±--- 3 PLACES ±--- ±--- 2 PLACES ±0.13 ±--- 1 PLACE ±0.25 ±--- 0 PLACE ±--- ±---	MM ONLY	3:1	METRIC	DRAWN BY DATE MWLF 2015/03/02 CHECKED BY DATE MPOFF 2015/03/02 APPROVED BY DATE	
	ANGULAR ±1/2° DRAFT WHERE APPLICABLE MUST REMAIN WITHIN DIMENSIONS	MATERIAL NO.	170082-216	DOCUMENT NO.	SD-170082-0216	SALES DRAWING FOR COPLANAR 093 216 CIRCUIT CONNECTOR <b>molex</b>	
	SIZE D THIS DRAWING CONTAINS INFORMATION THAT IS PROPRIETARY TO MOLEX INCORPORATED AND SHOULD NOT BE USED WITHOUT WRITTEN PERMISSION	SHEET NO.	2 OF 4				



NOTE:  
1. KEEP-OUT ZONES INDICATE THE PART OF THE CONNECTOR THAT MAY COME IN CONTACT WITH THE PCB. IT IS RECOMMENDED TO ROUTE TRACES AWAY FROM THESE AREAS.

KEEP OUT ZONES  
COMPONENT SIDE

SEE SHEET 1 ECN NO. WF2706-3238 DRAWN BY: CHOKSANGI 2016/07/18 CHECKED BY: CHOKSANGI 2016/07/18 APPROVED BY: CHOKSANGI 2016/07/18 DESIGNED BY: CHOKSANGI	QUALITY SYMBOLS	GENERAL TOLERANCES (UNLESS SPECIFIED)	DIMENSION STYLE	SCALE	DESIGN UNITS	THIRD ANGLE PROJECTION
	▽=0	mm INCH	MM ONLY	4:1	METRIC	
	▽=1	4 PLACES ± --- ± ---	DRAWN BY: MWLF	DATE: 2015/03/02	TITLE: SALES DRAWING FOR COPLANAR 093 216 CIRCUIT CONNECTOR	
	▽=2	3 PLACES ± --- ± ---	CHECKED BY: MPOFF	DATE: 2015/03/02		
▽=3	2 PLACES ± 0.13 ± ---	APPROVED BY: DATE:				
▽=4	1 PLACE ± 0.25 ± ---					
▽=5	0 PLACE ± --- ± ---					
	ANGULAR ±1/2°	DRAFT WHERE APPLICABLE MUST REMAIN WITHIN DIMENSIONS	MATERIAL NO. 170082-216	SIZE D	DOCUMENT NO. SD-170082-0216	SHEET NO. 3 OF 4
THIS DRAWING CONTAINS INFORMATION THAT IS PROPRIETARY TO MOLEX INCORPORATED AND SHOULD NOT BE USED WITHOUT WRITTEN PERMISSION						



**DIMENSIONS APPLY TO PADS ON BOTH SIDES OF THE BOARD.**

SEE SHEET 1 EC No. 1672016-3238 DRAWN BY: CHOKHAIN 28/07/18 CHECKED BY: APPURUMALAN 28/07/18 REV:	QUALITY SYMBOLS ∇=0 ∇=0 ∇=0	GENERAL TOLERANCES (UNLESS SPECIFIED) mm INCH 4 PLACES ± --- ± --- 3 PLACES ± --- ± --- 2 PLACES ± 0.13 ± --- 1 PLACE ± 0.25 ± --- 0 PLACE ± --- ± ---	DIMENSION STYLE MM ONLY DRAWN BY: MWOLFE CHECKED BY: DATE APPROVED BY: DATE	SCALE 4:1 DESIGN UNITS METRIC THIRD ANGLE PROJECTION	TITLE SALES DRAWING FOR COPLANAR 093 216 CIRCUIT CONNECTOR <b>molex</b>	MATERIAL NO. 170082-216 DOCUMENT NO. SD-170082-0216	SHEET NO. 4 OF 4
	ANGULAR ± 1/2°		DRAFT WHERE APPLICABLE MUST REMAIN WITHIN DIMENSIONS		THIS DRAWING CONTAINS INFORMATION THAT IS PROPRIETARY TO MOLEX INCORPORATED AND SHOULD NOT BE USED WITHOUT WRITTEN PERMISSION		