

## Excellent Integrated System Limited

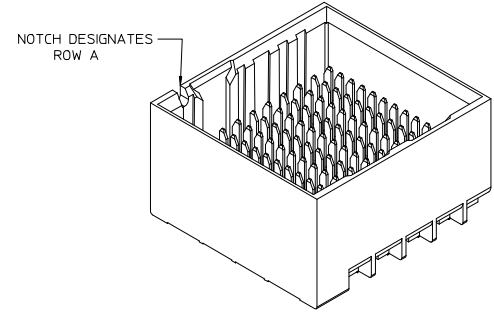
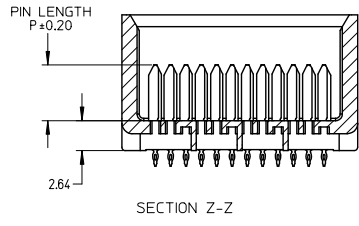
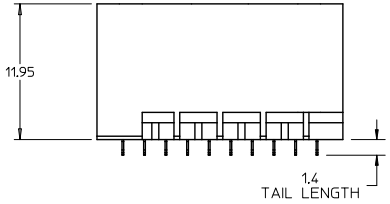
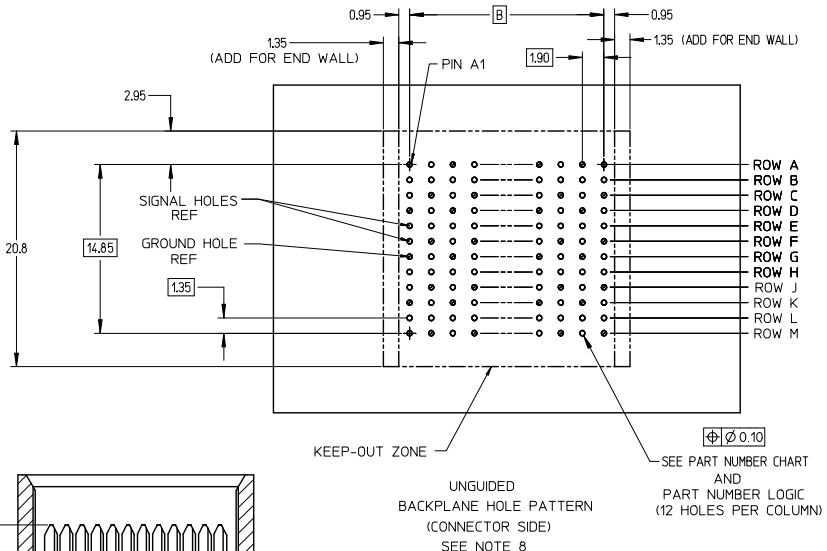
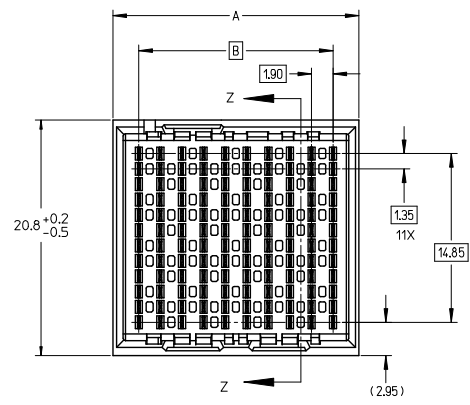
Stocking Distributor

Click to view price, real time Inventory, Delivery & Lifecycle Information:

[Molex Connector Corporation](#)  
[1703351217](#)

For any questions, you can email us directly:

[sales@integrated-circuit.com](mailto:sales@integrated-circuit.com)

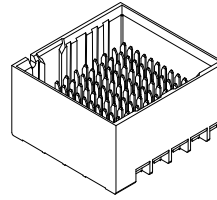


- NOTES:
1. MATERIALS: HOUSING - LIQUID CRYSTAL POLYMER (LCP)  
GLASS-FILLED, UL94V-0  
TERMINALS - HIGH PERFORMANCE COPPER ALLOY
  2. FINISH: 30# INCH MIN GOLD IN CONTACT AREA.  
SELECTIVE MATTE TIN ON PCB TAILS, NICKEL OVERALL.
  3. REFER TO MOLEX PRODUCT SPECIFICATION PS-170540-999  
FOR PERFORMANCE SPECIFICATIONS AND ADDITIONAL PCB INFORMATION.
  4. THIS PART CONFORMS TO CLASS B REQUIREMENTS OF MOLEX  
COSMETIC SPEC PS-45499-002.
  5. PARTS PACKAGED PER PK-70873-7701.
  6. SEE SHEETS 2 & 3 FOR PART NUMBERS AND BOARD RELATIONSHIPS.
  7. REFER TO MOLEX PCB ROUTING GUIDE AS-76060-990 FOR ANTI PAD AND  
ROUTING RECOMMENDATIONS.
  8. \*THESE DIMENSIONS REPRESENT THE AREA NEEDED TO ACCOMMODATE CONNECTOR  
INSERTION AND REPAIR ON THE PC BOARD. THIS IS REFERRED TO AS THE  
'CONNECTOR KEEP OUT ZONE' AND DOES NOT REPRESENT THE ACTUAL PERIMETER  
OF THE CONNECTOR. WHEN LAYING OUT A PC BOARD FOR CONNECTORS STACKED  
TOGETHER, USE A 1.9mm PROGRESSION.\*
  9. MINIMUM CIRCUIT BOARD THICKNESS: 1.0mm

REV. DIM A ON CHART FOR OPEN WALL OPT. ON SHT.2 I.D. NO. UCP-2015-4948 DRAWN: WANGUI 2013/05/14 CHECKED: MOUPE 2013/05/14 APPR: MILLER 2013/05/20 DESCRIPTION:	QUALITY SYMBOLS	GENERAL TOLERANCES (UNLESS SPECIFIED)	DIMENSION STYLE	SCALE	DESIGN UNITS	THIRD ANGLE PROJECTION
	▽=0	mm INCH	MM ONLY	4:1	METRIC	⊙
	▽=0	4 PLACES ± --- ± ---	DRAWN BY	DATE	TITLE	
	▽=0	3 PLACES ± --- ± ---	JB INGHAM	2010/05/11	IMPACT 4-PAIR 85-OHM UNGUIDED BACKPLANE SALES ASSEMBLY DRAWING	
	2 PLACES ± 0.13 ± ---	CHECKED BY	DATE			
	1 PLACE ± 0.25 ± ---	JLAURX	2010/05/11			
	0 PLACE ± --- ± ---	APPROVED BY	DATE			
	ANGULAR ± 1/2°	JLAURX	2012/11/16			
	DRAFT WHERE APPLICABLE MUST REMAIN WITHIN DIMENSIONS	MATERIAL NO.	DOCUMENT NO.			
		SEE CHART	SD-170335-0001			
		SIZE C	THIS DRAWING CONTAINS INFORMATION THAT IS PROPRIETARY TO MOLEX INCORPORATED AND SHOULD NOT BE USED WITHOUT WRITTEN PERMISSION			

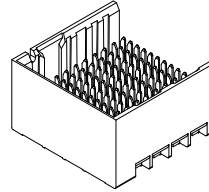
PART NUMBER CHART

MATERIAL NUMBER	# OF COLUMNS	# OF DIFF PAIR	DIM 'A'	DIM 'B'	DUAL END WALL OPTION
170335-132*	6	24	14.1	9.50	
170335-182*	8	32	17.9	13.30	
170335-112*	10	40	21.7	17.10	
170335-122*	12	48	25.5	20.90	
170335-142*	14	56	29.3	24.70	
170335-162*	16	64	33.1	28.50	



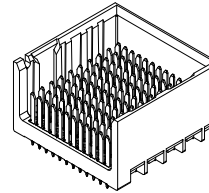
DUAL END WALL OPTION

MATERIAL NUMBER	# OF COLUMNS	# OF DIFF PAIR	DIM 'A'	DIM 'B'	LEFT END WALL OPTION
170335-131*	6	24	12.7	9.50	
170335-181*	8	32	16.5	13.30	
170335-111*	10	40	20.3	17.10	
170335-121*	12	48	24.1	20.90	
170335-141*	14	56	27.9	24.70	
170335-161*	16	64	31.7	28.50	



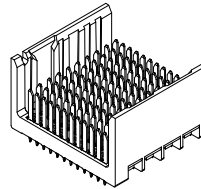
LEFT END WALL OPTION

MATERIAL NUMBER	# OF COLUMNS	# OF DIFF PAIR	DIM 'A'	DIM 'B'	RIGHT END WALL OPTION
170335-133*	6	24	12.7	9.50	
170335-183*	8	32	16.5	13.30	
170335-113*	10	40	20.3	17.10	
170335-123*	12	48	24.1	20.90	
170335-143*	14	56	27.9	24.70	
170335-163*	16	64	31.7	28.50	



RIGHT END WALL OPTION

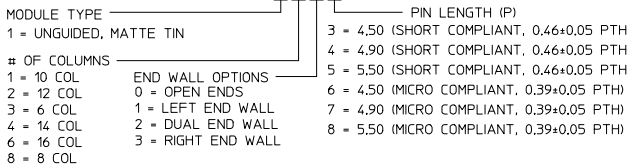
MATERIAL NUMBER	# OF COLUMNS	# OF DIFF PAIR	DIM 'A'	DIM 'B'	OPEN WALL OPTION
170335-130*	6	24	11.3	9.50	
170335-180*	8	32	15.1	13.30	
170335-110*	10	40	18.9	17.10	
170335-120*	12	48	22.7	20.90	
170335-140*	14	56	26.5	24.70	
170335-160*	16	64	30.3	28.50	



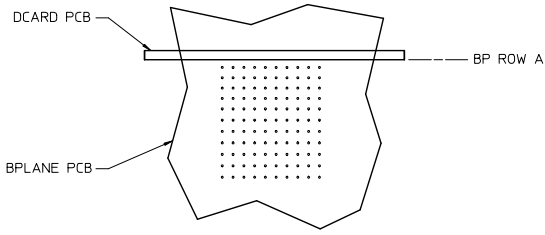
OPEN WALL OPTION

PART NUMBER LOGIC

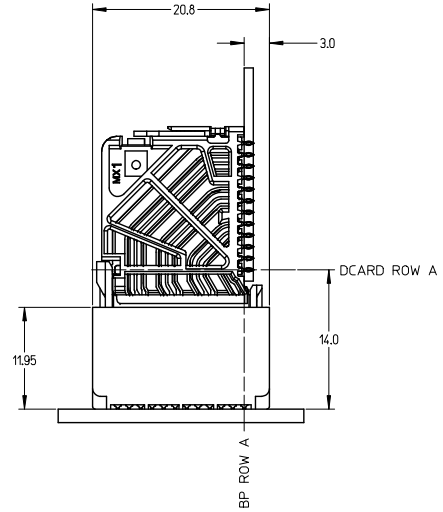
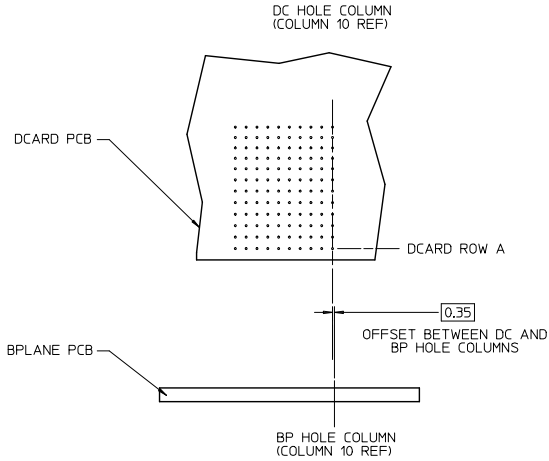
170335-\*\*\*\*



SEE SHEET 1 EC NO: UCP2013-4948 2013/05/14 DRINKSWANGI CHKRMOLPE APPROVSMILLER 2013/05/20	QUALITY SYMBOLS 	GENERAL TOLERANCES (UNLESS SPECIFIED)		DIMENSION STYLE		SCALE	DESIGN UNITS	THIRD ANGLE PROJECTION	
				MM ONLY		1:1	METRIC		
				mm	INCH	DRAWN BY	DATE	TITLE	
				4 PLACES ±---	±---	JB INGHAM	2010/05/11	IMPACT 4-PAIR 85-OHM UNGUIDED BACKPLANE SALES ASSEMBLY DRAWING	
		3 PLACES ±---	±---	CHECKED BY	DATE	molex			
		2 PLACES ±0.13	±---	JLAURX	2010/05/11	SD-170335-0001			
		1 PLACE ±0.25	±---	APPROVED BY	DATE	SHEET NO. 2 OF 3			
		0 PLACE ±---	±---	JLAURX	2012/11/16	INCORPORATED AND SHOULD NOT BE USED WITHOUT WRITTEN PERMISSION			
		ANGULAR ±1/2°		MATERIAL NO.		DOCUMENT NO.			
		DRAFT WHERE APPLICABLE MUST REMAIN WITHIN DIMENSIONS		SEE CHART					



IMPACT 4 PAIR  
BOARD RELATIONSHIPS



SEE SHEET 1 EC NO: UCP2013-4948 DRAWN BY: DRINKSWANG01 2013/05/14 CHECKED BY: CHKORWOLPE 2013/05/14 APPROVED BY: APPERSMILLER 2013/05/20	QUALITY SYMBOLS	GENERAL TOLERANCES (UNLESS SPECIFIED)	DIMENSION STYLE	SCALE	DESIGN UNITS	THIRD ANGLE PROJECTION		
	4 PLACES ± 0 3 PLACES ± 0 2 PLACES ± 0.13 1 PLACE ± 0.25 0 PLACE ± 0	mm INCH ± --- ± --- ± --- ± --- ± 0.13 ± --- ± 0.25 ± --- ± 0 ± ---	MM ONLY	3:1	METRIC	DRAWN BY: JB INGHAM CHECKED BY: JL AURX APPROVED BY: JL AURX	DATE: 2010/05/11 DATE: 2010/05/11 DATE: 2012/11/16	TITLE: IMPACT 4-PAIR 85-OHM UNGUIDED BACKPLANE SALES ASSEMBLY DRAWING molex
	ANGULAR ±1/2° DRAFT WHERE APPLICABLE MUST REMAIN WITHIN DIMENSIONS	MATERIAL NO. SEE CHART	DOCUMENT NO. SD-170335-0001	SHEET NO. 3 OF 3		THIS DRAWING CONTAINS INFORMATION THAT IS PROPRIETARY TO MOLEX INCORPORATED AND SHOULD NOT BE USED WITHOUT WRITTEN PERMISSION		
	REV	DESCRIPTION	DATE					