

Excellent Integrated System Limited

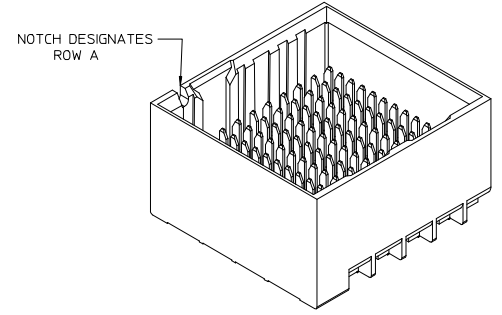
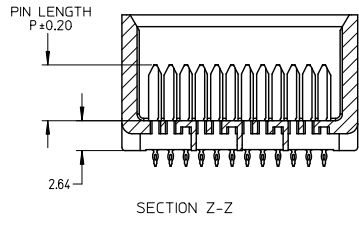
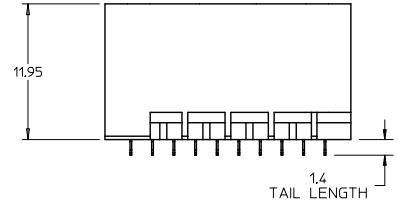
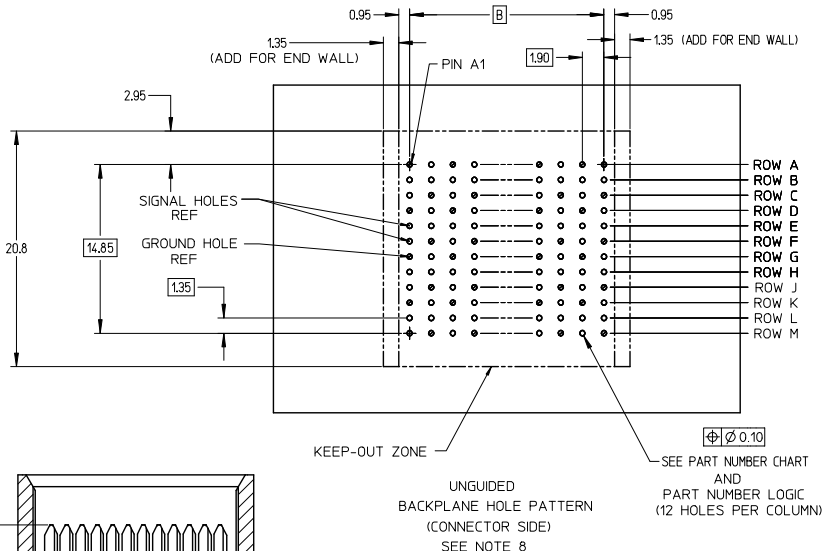
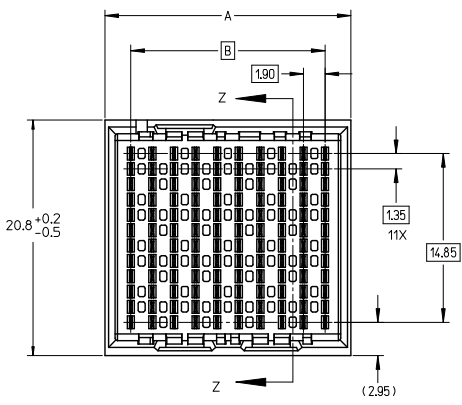
Stocking Distributor

Click to view price, real time Inventory, Delivery & Lifecycle Information:

[Molex Connector Corporation](#)
[1703351428](#)

For any questions, you can email us directly:

sales@integrated-circuit.com

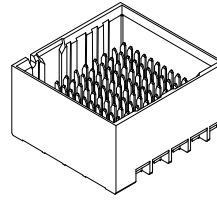


- NOTES:
1. MATERIALS: HOUSING - LIQUID CRYSTAL POLYMER (LCP)
GLASS-FILLED, UL94V-0
TERMINALS - HIGH PERFORMANCE COPPER ALLOY
 2. FINISH: 30# INCH MIN GOLD IN CONTACT AREA.
SELECTIVE MATTE TIN ON PCB TAILS, NICKEL OVERALL.
 3. REFER TO MOLEX PRODUCT SPECIFICATION PS-170540-999
FOR PERFORMANCE SPECIFICATIONS AND ADDITIONAL PCB INFORMATION.
 4. THIS PART CONFORMS TO CLASS B REQUIREMENTS OF MOLEX
COSMETIC SPEC PS-45499-002.
 5. PARTS PACKAGED PER PK-70873-7701.
 6. SEE SHEETS 2 & 3 FOR PART NUMBERS AND BOARD RELATIONSHIPS.
 7. REFER TO MOLEX PCB ROUTING GUIDE AS-76060-990 FOR ANTI PAD AND
ROUTING RECOMMENDATIONS.
 8. *THESE DIMENSIONS REPRESENT THE AREA NEEDED TO ACCOMMODATE CONNECTOR
INSERTION AND REPAIR ON THE PC BOARD. THIS IS REFERRED TO AS THE
'CONNECTOR KEEP OUT ZONE' AND DOES NOT REPRESENT THE ACTUAL PERIMETER
OF THE CONNECTOR. WHEN LAYING OUT A PC BOARD FOR CONNECTORS STACKED
TOGETHER, USE A 1.9mm PROGRESSION.*
 9. MINIMUM CIRCUIT BOARD THICKNESS: 1.0mm

REV. DIM A ON CHART FOR OPEN WALL OPT. ON SHT.2 REV. NO. UCP-2015-4948 DRAWN BY: J.B. INGHAM CHKD BY: J. LAURX APPR. BY: J. LAURX DATE: 2010/05/11 DATE: 2010/05/11 DATE: 2012/11/16	DESCRIPTION	QUALITY SYMBOLS	GENERAL TOLERANCES (UNLESS SPECIFIED)		DIMENSION STYLE		SCALE	DESIGN UNITS	THIRD ANGLE PROJECTION
			mm	INCH	MM ONLY	MM ONLY			
			4 PLACES	±	---	---	4:1	METRIC	IMPACT 4-PAIR 85-OHM UNGUIDED BACKPLANE SALES ASSEMBLY DRAWING
			3 PLACES	±	---	---			
			2 PLACES	±	0.13	---			
			1 PLACE	±	0.25	---			
			0 PLACE	±	---	---			
			ANGULAR ±1/2°		MATERIAL NO.		DOCUMENT NO.		SHEET NO.
DRAFT WHERE APPLICABLE MUST REMAIN WITHIN DIMENSIONS			SEE CHART		SD-170335-0001		1 OF 3		
THIS DRAWING CONTAINS INFORMATION THAT IS PROPRIETARY TO MOLEX INCORPORATED AND SHOULD NOT BE USED WITHOUT WRITTEN PERMISSION									

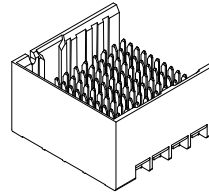
PART NUMBER CHART

MATERIAL NUMBER	# OF COLUMNS	# OF DIFF PAIR	DIM 'A'	DIM 'B'	DUAL END WALL OPTION
170335-132*	6	24	14.1	9.50	
170335-182*	8	32	17.9	13.30	
170335-112*	10	40	21.7	17.10	
170335-122*	12	48	25.5	20.90	
170335-142*	14	56	29.3	24.70	
170335-162*	16	64	33.1	28.50	



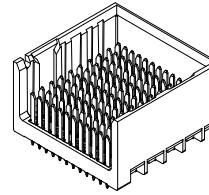
DUAL END
WALL OPTION

MATERIAL NUMBER	# OF COLUMNS	# OF DIFF PAIR	DIM 'A'	DIM 'B'	LEFT END WALL OPTION
170335-131*	6	24	12.7	9.50	
170335-181*	8	32	16.5	13.30	
170335-111*	10	40	20.3	17.10	
170335-121*	12	48	24.1	20.90	
170335-141*	14	56	27.9	24.70	
170335-161*	16	64	31.7	28.50	



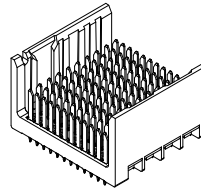
LEFT END
WALL OPTION

MATERIAL NUMBER	# OF COLUMNS	# OF DIFF PAIR	DIM 'A'	DIM 'B'	RIGHT END WALL OPTION
170335-133*	6	24	12.7	9.50	
170335-183*	8	32	16.5	13.30	
170335-113*	10	40	20.3	17.10	
170335-123*	12	48	24.1	20.90	
170335-143*	14	56	27.9	24.70	
170335-163*	16	64	31.7	28.50	



RIGHT END
WALL OPTION

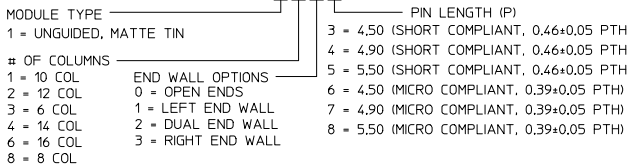
MATERIAL NUMBER	# OF COLUMNS	# OF DIFF PAIR	DIM 'A'	DIM 'B'	OPEN WALL OPTION
170335-130*	6	24	11.3	9.50	
170335-180*	8	32	15.1	13.30	
170335-110*	10	40	18.9	17.10	
170335-120*	12	48	22.7	20.90	
170335-140*	14	56	26.5	24.70	
170335-160*	16	64	30.3	28.50	



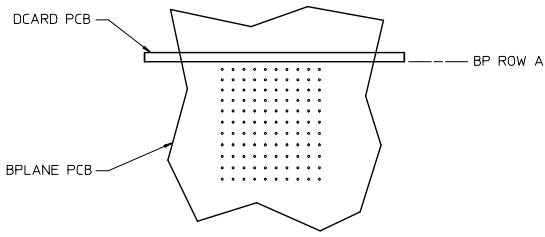
OPEN
WALL OPTION

PART NUMBER LOGIC

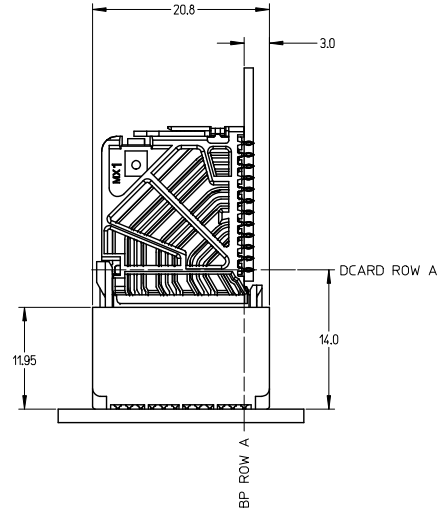
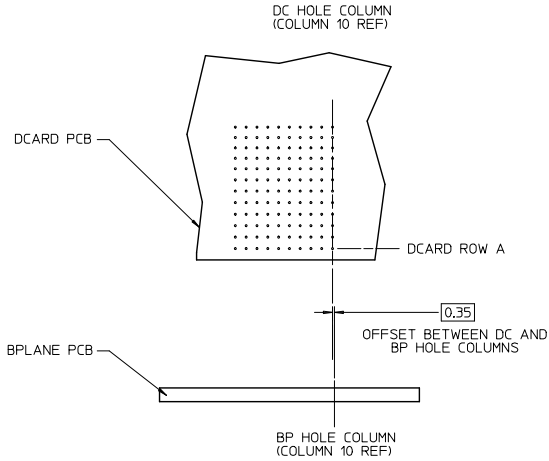
170335-****



SEE SHEET 1 IEC NO: UCP2013-4948 2013/05/14 DRINKS WANGDI CHKORWOLPE APPROVAL 2013/05/20 APPR:SMILLER	QUALITY SYMBOLS 	GENERAL TOLERANCES (UNLESS SPECIFIED)		DIMENSION STYLE		SCALE	DESIGN UNITS	THIRD ANGLE PROJECTION	
				MM ONLY		1:1	METRIC		
				mm	INCH	DRAWN BY	DATE	TITLE	
				4 PLACES ±---	±---	JB INGHAM	2010/05/11	IMPACT 4-PAIR 85-OHM UNGUIDED BACKPLANE SALES ASSEMBLY DRAWING	
		3 PLACES ±---	±---	CHECKED BY	DATE	molex			
		2 PLACES ±0.13	±---	JLAURX	2010/05/11	SD-170335-0001			
		1 PLACE ±0.25	±---	APPROVED BY	DATE	SHEET NO.			
		0 PLACE ±---	±---	JLAURX	2012/11/16	2 OF 3			
		ANGULAR ±1/2°		MATERIAL NO.		DOCUMENT NO.			
		DRAFT WHERE APPLICABLE MUST REMAIN WITHIN DIMENSIONS		SEE CHART					
		THIS DRAWING CONTAINS INFORMATION THAT IS PROPRIETARY TO MOLEX INCORPORATED AND SHOULD NOT BE USED WITHOUT WRITTEN PERMISSION							



IMPACT 4 PAIR
BOARD RELATIONSHIPS



SEE SHEET 1 EC NO: UCP2013-4948 DRAWN BY: DRINKSWANG01 CHECKED BY: CHIKKOROLUPE APPROVED BY: APPERSMILLER DATE: 2013/05/14 DATE: 2013/05/14 DATE: 2013/05/20	QUALITY SYMBOLS	GENERAL TOLERANCES (UNLESS SPECIFIED)	DIMENSION STYLE	SCALE	DESIGN UNITS	THIRD ANGLE PROJECTION	
	4 PLACES ± 0.13 ± 0.005 3 PLACES ± 0.13 ± 0.005 2 PLACES ± 0.25 ± 0.005 1 PLACE ± 0.25 ± 0.005 0 PLACE ± 0.25 ± 0.005	mm INCH ± 0.13 ± 0.005 ± 0.13 ± 0.005 ± 0.25 ± 0.005 ± 0.25 ± 0.005	MM ONLY	3:1	METRIC	DRAWN BY: JB INGHAM CHECKED BY: JL AURX APPROVED BY: JL AURX DATE: 2010/05/11 DATE: 2010/05/11 DATE: 2012/11/16	TITLE: IMPACT 4-PAIR 85-OHM UNGUIDED BACKPLANE SALES ASSEMBLY DRAWING molex
	ANGULAR ± 1/2° DRAFT WHERE APPLICABLE MUST REMAIN WITHIN DIMENSIONS	MATERIAL NO. SEE CHART DOCUMENT NO. SD-170335-0001 SHEET NO. 3 OF 3	THIS DRAWING CONTAINS INFORMATION THAT IS PROPRIETARY TO MOLEX INCORPORATED AND SHOULD NOT BE USED WITHOUT WRITTEN PERMISSION				
	REV	DESCRIPTION					