

## Excellent Integrated System Limited

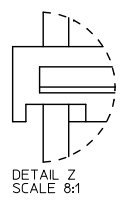
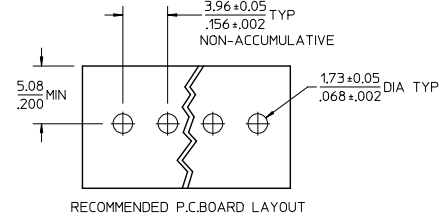
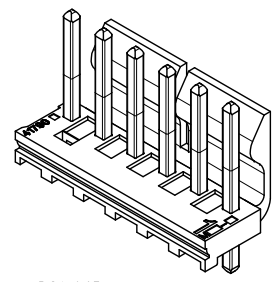
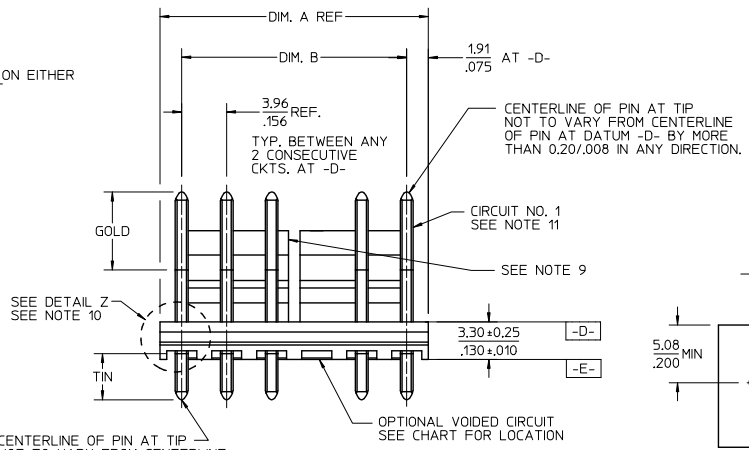
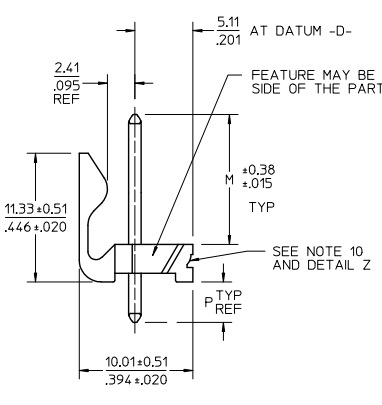
Stocking Distributor

Click to view price, real time Inventory, Delivery & Lifecycle Information:

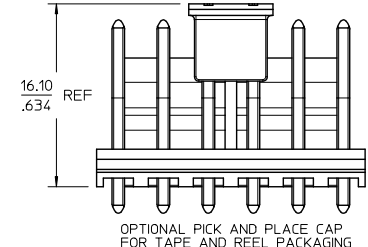
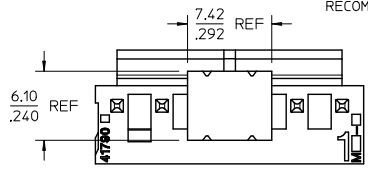
[Molex Connector Corporation](#)  
[1718133005](#)

For any questions, you can email us directly:

[sales@integrated-circuit.com](mailto:sales@integrated-circuit.com)



CENTERLINE OF PIN AT TIP NOT TO VARY FROM CENTERLINE OF PIN AT DATUM -E- BY MORE THAN 0.13/.005 IN ANY DIRECTION.



CIRCUIT SIZE	DIM. A	DIM. B	SLOT LOCATION BETWEEN CIRCUITS
2	7.77 .306	3.96±0.05 .156±0.002	NONE
3	11.73 .462	7.92±0.10 .312±0.004	NONE
4	15.70 .618	11.89±0.15 .468±0.006	NONE
5	19.66 .774	15.85±0.15 .624±0.006	NONE
6	23.62 .930	19.81±0.18 .780±0.007	3 & 4
7	27.58 1.086	23.77±0.18 .936±0.007	4 & 5
8	31.55 1.242	27.74±0.20 1.092±0.008	4 & 5
9	35.51 1.398	31.70±0.20 1.248±0.008	5 & 6
10	39.47 1.554	35.66±0.23 1.404±0.009	5 & 6
11	43.43 1.710	39.62±0.23 1.560±0.009	6 & 7
12	47.40 1.866	43.59±0.25 1.716±0.010	4 & 5 8 & 9

- NOTES:
- MATERIAL: HOUSING: NYLON, UL94V-2, IEC 60335-1 5TH EDITION GLOW WIRE CAPABLE, COLOR: BLACK  
PINS: BRASS
  - FINISH:  
(197-TIN) = OVERALL REFLOWED MATTE TIN: 0.00152/.000060 MIN. OVER 0.00127/.000050 MIN. NICKEL OVERALL.  
(208) = SELECT GOLD: 0.00038/.000015 MIN. SELECT MATTE TIN: 0.00254/.000100 MIN. BOTH OVER 0.00127/.000050 MIN NICKEL.  
(228) = SELECT GOLD: 0.00076/.000030 MIN. SELECT MATTE TIN: 0.00254/.000100 MIN. BOTH OVER 0.00127/.000050 MIN NICKEL.
  - PRODUCT SPECIFICATION: PS-171813-0001, PS-171813-0002
  - PACKAGING INFORMATION: SEE CHARTS.
  - SOLDERABILITY: PER SMES-152.
  - PIN PUSH-OUT FORCE: PRIOR TO SOLDERING, A 3 LB. MINIMUM FORCE IN EITHER DIRECTION
  - PARTS ARE STACKABLE END TO END ON 3.96/.156 CENTERS.
  - THIS PART CONFORMS TO CLASS B REQUIREMENTS OF COSMETIC SPECIFICATION PS-45499-002.
  - SLOTS ON BACKWALL ARE BETWEEN CIRCUITS. SEE CHART FOR LOCATION.
  - FEATURE MAY OR MAY NOT EXTEND ACROSS THE ENTIRE FACE OF THE PART. SEE DETAIL Z.
  - CIRCUIT 1 DESIGNATION IS USED TO DEFINE VOID LOCATION. CIRCUIT 1 MAY OR MAY NOT LINE UP WITH CIRCUIT 1 ON THE MATING HOUSING.

ADD PART # S IEC NO: UCP2016-0238 DRWING: IPPER 2015/07/20 CHK: KONGWEN 2015/07/20 APPR: F SMITH 2015/08/06	QUALITY SYMBOLS ∇=0 ∇=0 ∇=0	GENERAL TOLERANCES (UNLESS SPECIFIED) mm INCH 4 PLACES ±.10 ±.004 3 PLACES ±.010 ±.004 2 PLACES ±0.25 ±.015 1 PLACE ±0.38 ±.015 0 PLACE ±.010 ±.004	DIMENSION STYLE MM/IN DRAWN BY: MKIPPER DATE: 2012/09/13 CHECKED BY: SSOUSEK DATE: 2012/09/13 APPROVED BY: F SMITH DATE: 2013/06/11	SCALE: 4:1 DESIGN UNITS: INCH THIRD ANGLE PROJECTION
		ANGULAR ±1/2° DRAFT WHERE APPLICABLE MUST REMAIN WITHIN DIMENSIONS	MATERIAL NO. SEE CHART	TITLE KK RPC 156 FRICTION LOCK VERTICAL HEADER ASSEMBLY SOLID BODY W/O PEGS
		SHEET NO. 1 OF *	DOCUMENT NO. SD-171813-0001	molex
		THIS DRAWING CONTAINS INFORMATION THAT IS PROPRIETARY TO MOLEX INCORPORATED AND SHOULD NOT BE USED WITHOUT WRITTEN PERMISSION		