

## Excellent Integrated System Limited

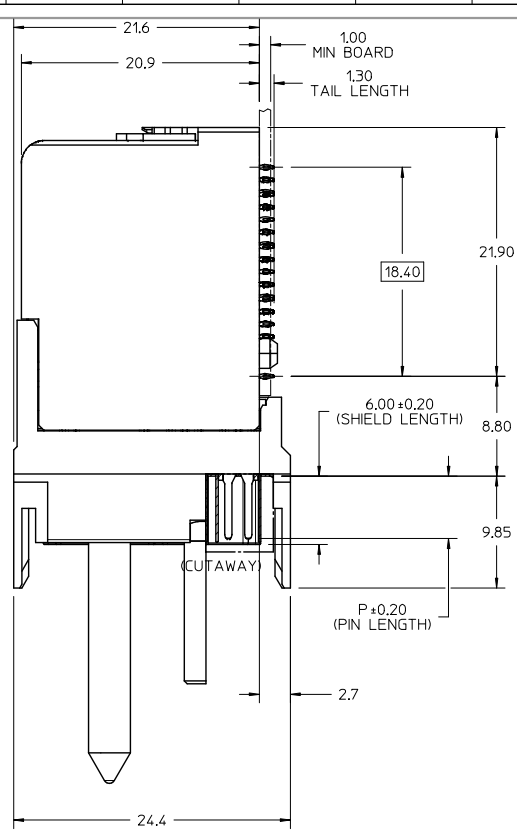
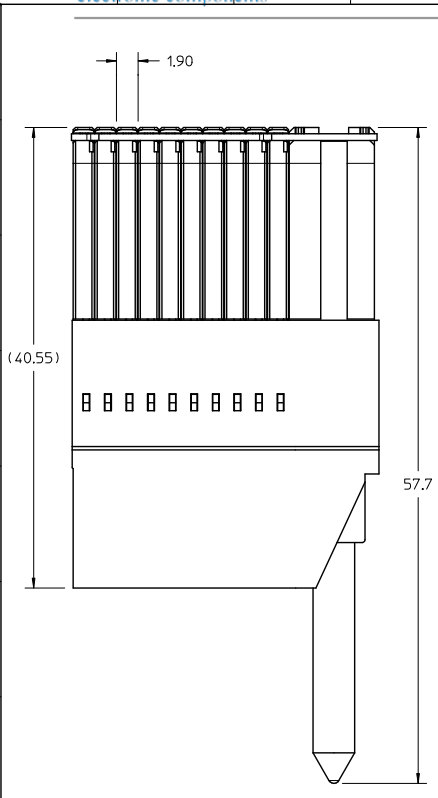
Stocking Distributor

Click to view price, real time Inventory, Delivery & Lifecycle Information:

[Molex Connector Corporation](#)  
[1721403808](#)

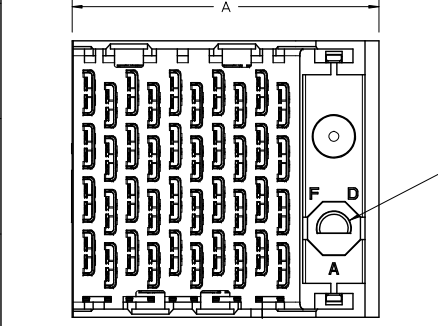
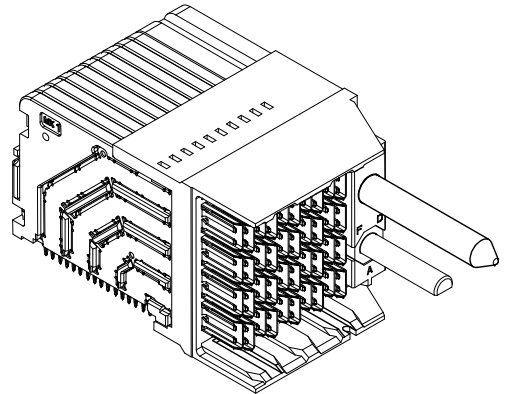
For any questions, you can email us directly:

[sales@integrated-circuit.com](mailto:sales@integrated-circuit.com)



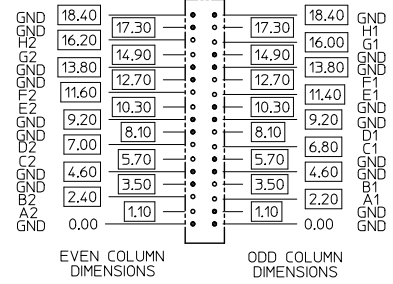
NOTES:

1. MATERIALS: HOUSING - LIQUID CRYSTAL POLYMER (LCP)  
GLASS-FILLED, UL94V-0  
TERMINALS - HIGH PERFORMANCE COPPER ALLOY
2. FINISH: 30µIN GOLD IN CONTACT AREA.  
SELECTIVE TIN ON PCB TAILS.  
NICKEL OVERALL.
3. REFER TO MOLEX PRODUCT SPECIFICATION PS-171320-999 FOR PERFORMANCE SPECIFICATIONS.
4. THIS PART CONFORMS TO CLASS B REQUIREMENTS OF COSMETIC SPEC PS-45499-002.
5. PRODUCT WILL BE PACKAGED PER PK-78888-314.
6. SEE SHEET 2 FOR PCB LAYOUT AND MATING BOARD RELATIONSHIP.
7. MATES WITH IMPEL DAUGHTERCARD SERIES NUMBER 171320 (LEFT GUIDED).
8. REFER TO IMPEL PCB ROUTING GUIDE AS-171320-990 FOR ANTI PAD, ROUTING RECOMMENDATIONS, AND ADDITIONAL PCB INFORMATION.
9. WHEN STACKING MODULES END TO END, THE MINIMUM COLUMN TO COLUMN HOLE SPACING IS 2.65mm.
10. CONNECTOR IS SUPPLIED WITH ONE 2-32 THREAD FORMING SCREW.



ADDED 16 COL PINS EC NO: UCP2016-4033 DRAWN/PREP'D: 2015/10/28 CHK'D/CHEK: APPROX/SHLEN 2016/04/20	QUALITY SYMBOLS ▽ = 0 ▽ = 0 ▽ = 0	GENERAL TOLERANCES (UNLESS SPECIFIED)		DIMENSION STYLE MM ONLY		SCALE 4:1	DESIGN UNITS METRIC	THIRD ANGLE PROJECTION
		mm	INCH	DRAWN BY JLAURX	DATE 2014/02/07	TITLE IMPEL 4 PAIR RIGHT ANGLE MALE (RAM) GUIDE RIGHT SALES DWG		
A1	REV	4 PLACES	±	---	---	CHECKED BY JLAURX	DATE 2014/02/07	DOCUMENT NO. SD-172140-0002
		3 PLACES	±	---	---	APPROVED BY JLAURX	DATE 2014/12/09	
DRAFT WHERE APPLICABLE MUST REMAIN WITHIN DIMENSIONS		ANGULAR ±1/2°		MATERIAL NO. SEE CHART		THIS DRAWING CONTAINS INFORMATION THAT IS PROPRIETARY TO MOLEX INCORPORATED AND SHOULD NOT BE USED WITHOUT WRITTEN PERMISSION		

MATERIAL NUMBER	NUMBER OF COLUMNS	NUMBER OF DIFF PAIR	DIM "A"	DIM "B"	DIM "P"
172140-38*7	8	32	23.55 MAX	13.30	4.90
172140-31*7	10	40	27.35 MAX	17.10	4.90
172140-32*7	12	48	31.15 MAX	20.90	4.90
172140-36*7	16	64	38.75 MAX	28.50	4.90
172140-38*8	8	32	23.55 MAX	13.30	5.50
172140-31*8	10	40	27.35 MAX	17.10	5.50
172140-32*8	12	48	31.15 MAX	20.90	5.50
172140-36*8	16	64	38.75 MAX	28.50	5.50



DETAIL 1  
SCALE 4:1

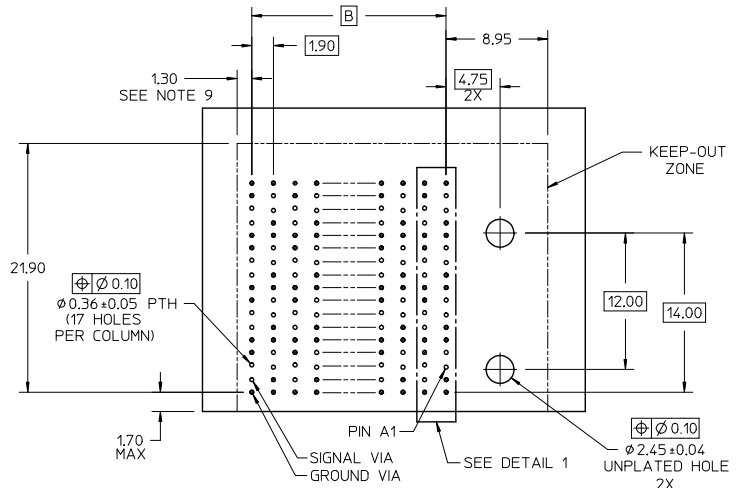
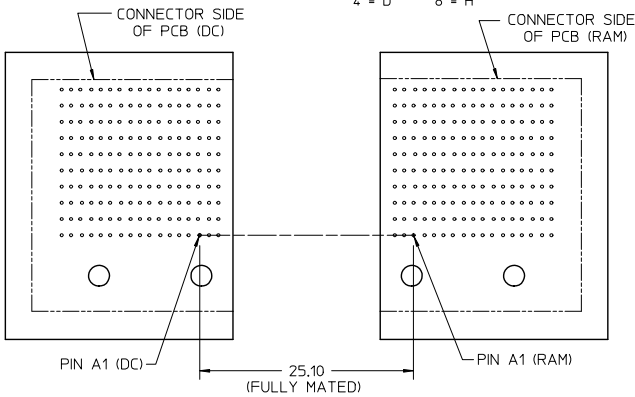
**172140-3\*\*\***

MODULE TYPE: 3 = GUIDE RIGHT

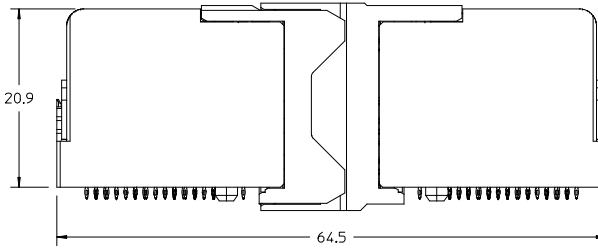
COLUMN SIZE:  
 8 = 8 COLUMN  
 1 = 10 COLUMN  
 2 = 12 COLUMN  
 6 = 16 COLUMN

KEY ORIENTATION:  
 0 = NO KEY  
 1 = A  
 2 = B  
 3 = C  
 4 = D

PIN LENGTH (P):  
 7 = 4.90mm  
 8 = 5.50mm



RAM HOLE PATTERN  
(CONNECTOR SIDE)



QUALITY SYMBOLS	GENERAL TOLERANCES (UNLESS SPECIFIED)		DIMENSION STYLE		SCALE	DESIGN UNITS	THIRD ANGLE PROJECTION
	mm	INCH	MM ONLY	DATE			
▽ = 0	4 PLACES ±	±	JLAURX	2014/02/07	4:1	METRIC	IMPEL 4 PAIR RIGHT ANGLE MALE (RAM) GUIDE RIGHT SALES DWG
▽ = 0	3 PLACES ±	±	JLAURX	2014/02/07			
▽ = 0	2 PLACES ±	±	JLAURX	2014/02/07			
▽ = 0	1 PLACE ±	±	JLAURX	2014/12/09			
	0 PLACE ±	±	JLAURX	2014/12/09			
	ANGULAR ±1/2°		MATERIAL NO.		DOCUMENT NO.		SHEET NO.
	DRAFT WHERE APPLICABLE MUST REMAIN WITHIN DIMENSIONS		SEE CHART		SD-172140-0002		2 OF 2
	THIS DRAWING CONTAINS INFORMATION THAT IS PROPRIETARY TO MOLEX INCORPORATED AND SHOULD NOT BE USED WITHOUT WRITTEN PERMISSION						