

Excellent Integrated System Limited

Stocking Distributor

Click to view price, real time Inventory, Delivery & Lifecycle Information:

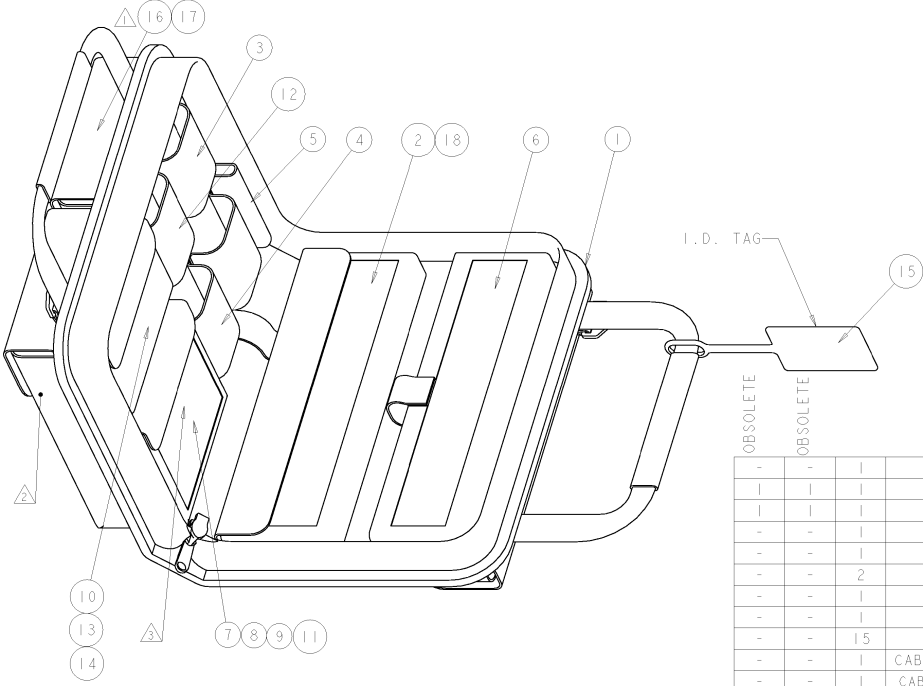
[TE Connectivity AMP Connectors
1278118-1](#)

For any questions, you can email us directly:

sales@integrated-circuit.com

THIS DRAWING IS UNPUBLISHED. RELEASED FOR PUBLICATION. BY TFCO ELECTRONICS CORPORATION. ALL RIGHTS RESERVED.

REV	DATE	DESCRIPTION	DATE	BY	CHKD
M	23JAN2002	REVISED PER DA00-0235-01		TA	BE
N	16APR2002	REVISE PER DA00-0349-02		BB	DK



- ⚠ AMP INSTRUCTION SHEETS AND MANUFACTURERS' INSTRUCTION SHEETS
- ⚠ OPTIONAL SHOULDER STRAP
- ⚠ PLACE 2.5mm UNIVERSAL ADAPTER FROM MICROSCOPE 502978-1, ITEM 17, INTO POCKET.

SCALE 1:2

QTY	DESCRIPTION	PART NUMBER	ITEM
-	BALL END HEX KEY (5)	1457999-1	18
1	CD-ROM, MT-RJ TERM TRAINING	1435138-1	17
1	CD - ROM, TERMINATION TRAINING	1374503-1	16
-	LABEL, TERMINATION KIT	1374331-1	15
-	STRIP TEMPLATE, MT-RJ	1278598-1	14
-	ACTUATION KEY, MT-RJ	1278576-1	13
-	MICRO-STRIPPER, MT-RJ	492109-2	12
-	OPTIMATE CABLE STRIPPER	501198-1	11
-	ALCOHOL FIBER WIPE	501857-2	10
-	CABLE/BUFFER HOLDER, LightCrimp Plus AMP SC	1278023-1	9
-	CABLE/BUFFER HOLDER, LightCrimp Plus ST-STYLE	492703-1	8
-	LightCrimp Plus DIESET, ST-STYLE	492622-1	7
-	LightCrimp Plus PROCRIPIER W/DIESET, AMP SC	492782-1	6
2	WRENCH, 1/4 OPEN END	1278422-1	5
1	KEVLAR SHEARS	1278637-1	4
1	STRIP TOOL, FIBER, COMBINATION	1278947-1	3
-	CLEAVE TOOL, S-315	492674-1	2
1	PREMIUM SOFTCASE	1278540-1	1
-3	DESCRIPTION	PART NUMBER	ITEM

DIMENSIONS: INCHES 0 P.L.C. ±.0005 1 P.L.C. ±.0010 2 P.L.C. ±.0015 3 P.L.C. ±.0020 4 P.L.C. ±.0025 5 P.L.C. ±.0030 6 P.L.C. ±.0035 7 P.L.C. ±.0040 8 P.L.C. ±.0045 9 P.L.C. ±.0050 10 P.L.C. ±.0055 11 P.L.C. ±.0060 12 P.L.C. ±.0065 13 P.L.C. ±.0070 14 P.L.C. ±.0075 15 P.L.C. ±.0080 16 P.L.C. ±.0085 17 P.L.C. ±.0090 18 P.L.C. ±.0095		DATE: 12NOV2000 BY: T. ALEXANDER CHK: M. HAMONKO DATE: 12NOV2000 BY: S. BUCHTER	AMP Tyco Electronics Harrisburg, PA 17105-9608 NAME: TERMINATION KIT, COMBINATION, LightCrimp Plus AND MT-RJ JACK SIZE: A2 CASE CODE: 00779 DRAWING NO: 1278118 WEIGHT: - FINISH: - MATERIAL: - CUSTOMER DRAWING: -
------------------------------------------------------------------------------------------------------------------------------------------------------------------------------------------------------------------------------------------------------------------------------------------------------------------------------------------------------------------------------------------------------	--	---------------------------------------------------------------------------------------------	-------------------------------------------------------------------------------------------------------------------------------------------------------------------------------------------------------------------------------------------------