

Excellent Integrated System Limited

Stocking Distributor

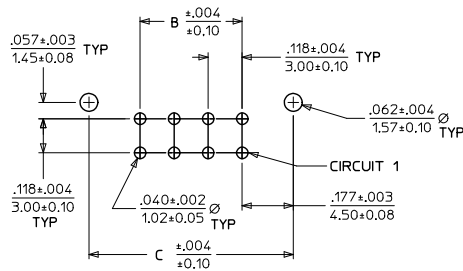
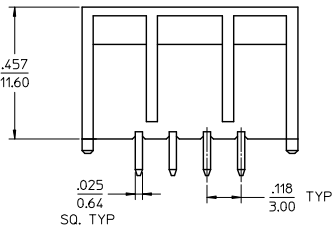
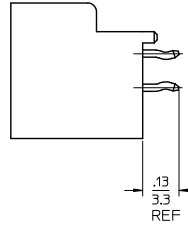
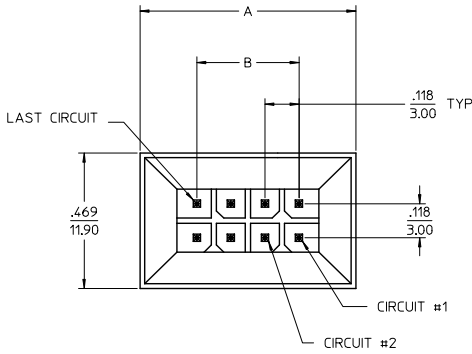
Click to view price, real time Inventory, Delivery & Lifecycle Information:

[Molex Connector Corporation](#)
[44432-0401](#)

For any questions, you can email us directly:

sales@integrated-circuit.com

CIRCUIT SIZE	'A'	'B'	C
04	.512 13.00	.118 3.00	.472 12.00
06	.630 16.00	.236 6.00	.590 15.00
08	.748 19.00	.354 9.00	.709 18.00
10	.866 22.00	.472 12.00	.827 21.00
12	.984 25.00	.590 15.00	.945 24.00
14	1.102 28.00	.709 18.00	1.063 27.00
16	1.220 31.00	.827 21.00	1.181 30.00
18	1.338 34.00	.945 24.00	1.299 33.00
20	1.457 37.00	1.063 27.00	1.417 36.00
22	1.575 40.00	1.181 30.00	1.535 39.00
24	1.693 43.00	1.299 33.00	1.653 42.00



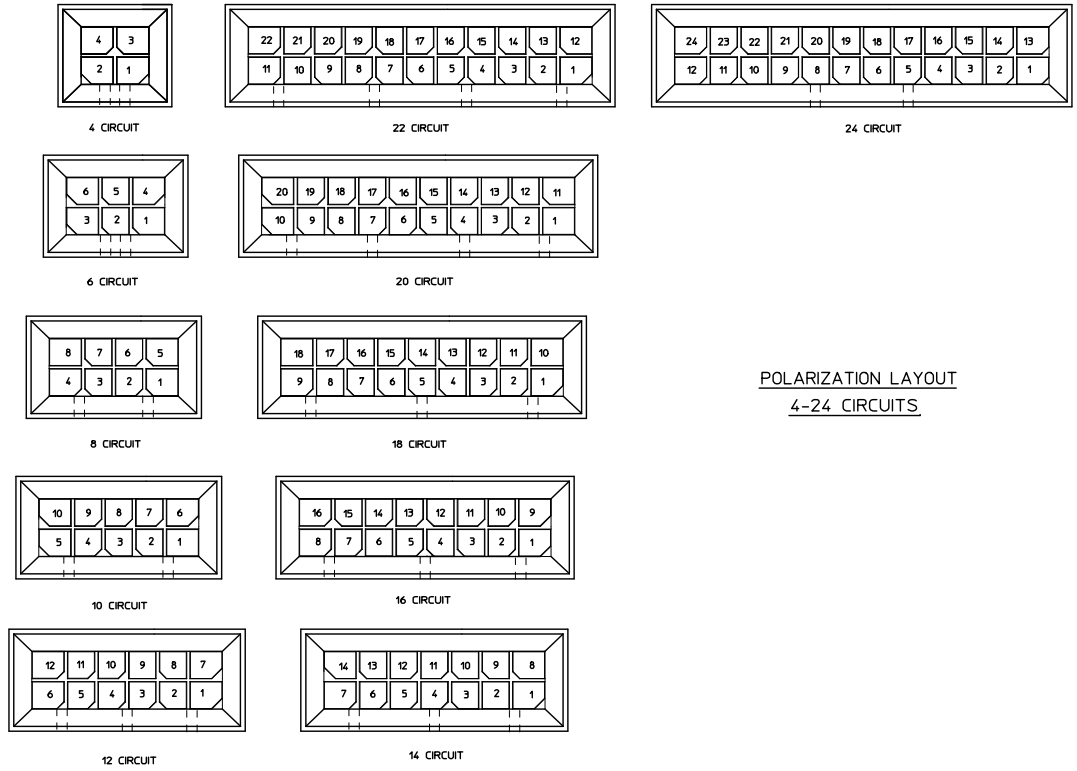
PCB LAYOUT: COMPONENT SIDE
RECOMMENDED PCB THICKNESS .062/157

NOTES :

- MATERIALS -
HOUSING : NYLON , GLASS-FILLED, UL94V-0 COLOR - BLACK
TERMINAL : BRASS ALLOY
- FINISH:
A = .000200/(0.000508) MIN. TIN OVER .000050/(0.00127) MIN. NICKEL.
B = .000015/(0.00038) MIN. SELECT GOLD IN CONTACT AREA;
.000100/(0.00254) MIN. SELECT TIN ON SOLDER TAILS;
BOTH OVER .000050/(0.00127) MIN. NICKEL.
C = .000030/(0.00076) MIN. SELECT GOLD IN CONTACT AREA;
.000100/(0.00254) MIN. SELECT TIN ON SOLDER TAILS;
BOTH OVER .000050/(0.00127) MIN. NICKEL.
- PRODUCT SPECIFICATION : PS-44300-001
- PACKAGING SPECIFICATION : PK-44432-001
- THIS ASSEMBLY MATES WITH MOLEX BMI PANEL MOUNT RECEPTACLE
(SEE DRAWING SD-44133-001) & FEMALE CRIMP TERMINAL (SEE DRAWING SD-43030-****)
- SEE SHEET 2 FOR PART NUMBER CHART.
- THIS PART CONFORMS TO CLASS B REQUIREMENTS OF
COSMETIC SPECIFICATION PS-45499-002

ADD REFERENCE DIM EC NO: UCP2016-3971 DRAWN: SLAFTER 2016/04/11 CHKD: JDOX 2016/04/11 APPR: SMITH 2016/04/13	QUALITY SYMBOLS ▽=0 ▽=0 ▽=0	GENERAL TOLERANCES (UNLESS SPECIFIED)		DIMENSION STYLE IN/MM		SCALE 4:1	DESIGN UNITS METRIC	THIRD ANGLE PROJECTION	
		mm	INCH	DRAWN BY MUELLER	DATE 1999/11/29	TITLE MICRO FIT (3.0) DUAL ROW VERTICAL BMI HEADER ASS'Y			
D2	REV	4 PLACES ±---	±---	CHECKED BY MUELLER	DATE 1999/11/29				
		3 PLACES ±---	±.010	APPROVED BY F SMITH	DATE 2016/04/13				
		ANGULAR ±1/2°		MATERIAL NO.		DOCUMENT NO.		SHEET NO.	
		DRAFT WHERE APPLICABLE MUST REMAIN WITHIN DIMENSIONS		SEE CHART		SD-44432-001		1 OF 2	
<p>THIS DRAWING CONTAINS INFORMATION THAT IS PROPRIETARY TO MOLEX INCORPORATED AND SHOULD NOT BE USED WITHOUT WRITTEN PERMISSION</p>									

MATERIAL NUMBER	NUMBER OF POSITIONS	PLATING OPTION
44432-0401	04	A
44432-0402	04	B
44432-0403	04	C
44432-0601	06	A
44432-0602	06	B
44432-0603	06	C
44432-0801	08	A
44432-0802	08	B
44432-0803	08	C
44432-1001	10	A
44432-1002	10	B
44432-1003	10	C
44432-1201	12	A
44432-1202	12	B
44432-1203	12	C
44432-1401	14	A
44432-1402	14	B
44432-1403	14	C
44432-1601	16	A
44432-1602	16	B
44432-1603	16	C
44432-1801	18	A
44432-1802	18	B
44432-1803	18	C
44432-2001	20	A
44432-2002	20	B
44432-2003	20	C
44432-2201	22	A
44432-2202	22	B
44432-2203	22	C
44432-2401	24	A
44432-2402	24	B
44432-2403	24	C



POLARIZATION LAYOUT
4-24 CIRCUITS

SEE SHEET 1 EC NO: UCP2016-3971 DRAWN: J. LAFER 2016/04/11 CHKD: J. FOX 2016/04/11 APPR: S. SMITH 2016/04/13	QUALITY SYMBOLS ∇=0 ∇=0 ∇=0	GENERAL TOLERANCES (UNLESS SPECIFIED)	DIMENSION STYLE IN/MM	SCALE 4:1	DESIGN UNITS METRIC	THIRD ANGLE PROJECTION	
		4 PLACES ± --- ± --- 3 PLACES ± --- ± .010 2 PLACES ± 0.25 ± .015 1 PLACE ± 0.38 ± --- 0 PLACE ± --- ± ---	DRAWN BY MUELLER	DATE 1999/11/29	TITLE MICRO FIT (3.0) DUAL ROW VERTICAL BMI HEADER ASS'Y		
		ANGULAR ±1/2°	CHECKED BY MUELLER	DATE 1999/11/29	molex		
		DRAFT WHERE APPLICABLE MUST REMAIN WITHIN DIMENSIONS	APPROVED BY S. SMITH	DATE 2016/04/13	MATERIAL NO. SEE CHART	DOCUMENT NO. SD-44432-001	SHEET NO. 2 OF 2