


Excellent Integrated System Limited

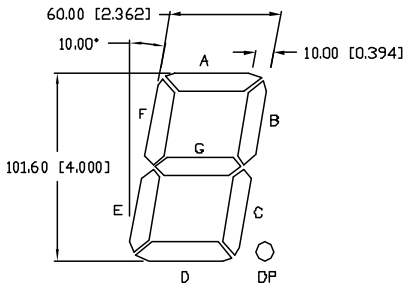
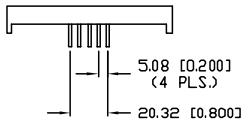
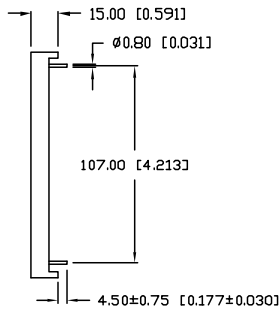
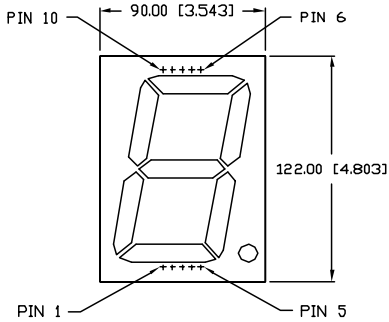
Stocking Distributor

Click to view price, real time Inventory, Delivery & Lifecycle Information:

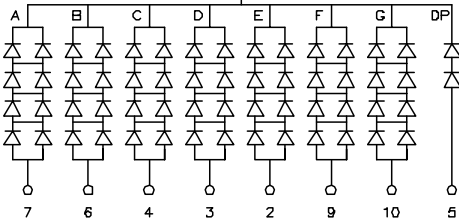
[Lumex, Inc.](#)
[LDS-CA404RI](#)

For any questions, you can email us directly:
sales@integrated-circuit.com

DATE	REVISIONS	REV	DRAWING NUMBER LDS-CA404RI																																																
			REPLACES PART# LDS-CE04RI																																																
<i>UNCONTROLLED DOCUMENT</i>																																																			
ELECTRO-OPTICAL CHARACTERISTICS $T_A = 25^\circ\text{C}$ $I_f = 10\text{mA}$																																																			
<table border="1" style="width:100%; border-collapse: collapse;"> <thead> <tr> <th>PARAMETER</th> <th>MIN</th> <th>TYP</th> <th>MAX</th> <th>UNITS</th> <th>TEST COND</th> </tr> </thead> <tbody> <tr> <td>PEAK WAVELENGTH</td> <td></td> <td>635 (RED)</td> <td></td> <td>nm</td> <td></td> </tr> <tr> <td>FORWARD VOLTAGE</td> <td></td> <td>2.0</td> <td>2.5</td> <td>V_f</td> <td></td> </tr> <tr> <td>REVERSE VOLTAGE</td> <td>5.0</td> <td></td> <td></td> <td>V_r</td> <td>$I_f = 100\mu\text{A}$</td> </tr> <tr> <td>AXIAL INTENSITY</td> <td></td> <td>8800</td> <td></td> <td>μcd</td> <td>$I_f = 10\text{mA}$</td> </tr> <tr> <td>EMITTED COLOR:</td> <td colspan="5">RED</td> </tr> <tr> <td>FONT COLOR:</td> <td colspan="5">GREY</td> </tr> <tr> <td>SEGMENT COLOR:</td> <td colspan="5">MILKY WHITE DIFFUSED</td> </tr> </tbody> </table>				PARAMETER	MIN	TYP	MAX	UNITS	TEST COND	PEAK WAVELENGTH		635 (RED)		nm		FORWARD VOLTAGE		2.0	2.5	V_f		REVERSE VOLTAGE	5.0			V_r	$I_f = 100\mu\text{A}$	AXIAL INTENSITY		8800		μcd	$I_f = 10\text{mA}$	EMITTED COLOR:	RED					FONT COLOR:	GREY					SEGMENT COLOR:	MILKY WHITE DIFFUSED				
PARAMETER	MIN	TYP	MAX	UNITS	TEST COND																																														
PEAK WAVELENGTH		635 (RED)		nm																																															
FORWARD VOLTAGE		2.0	2.5	V_f																																															
REVERSE VOLTAGE	5.0			V_r	$I_f = 100\mu\text{A}$																																														
AXIAL INTENSITY		8800		μcd	$I_f = 10\text{mA}$																																														
EMITTED COLOR:	RED																																																		
FONT COLOR:	GREY																																																		
SEGMENT COLOR:	MILKY WHITE DIFFUSED																																																		
LIMITS OF SAFE OPERATION AT 25°C PER CHIP																																																			
<table border="1" style="width:100%; border-collapse: collapse;"> <thead> <tr> <th>PARAMETER</th> <th>MAX</th> <th>UNITS</th> </tr> </thead> <tbody> <tr> <td>PEAK FORWARD CURRENT*</td> <td>150</td> <td>mA</td> </tr> <tr> <td>STEADY CURRENT</td> <td>30</td> <td>mA</td> </tr> <tr> <td>POWER DISSIPATION</td> <td>105</td> <td>mW</td> </tr> <tr> <td>DERATE FROM 25°C</td> <td>-1.2</td> <td>mW/°C</td> </tr> <tr> <td>OPERATING, STORAGE TEMP.</td> <td>-20 TO +80</td> <td>°C</td> </tr> <tr> <td>SOLDERING TEMP.</td> <td>+260</td> <td>°C</td> </tr> <tr> <td>2.0mm FROM BODY</td> <td></td> <td>3 SEC. MAX</td> </tr> </tbody> </table>				PARAMETER	MAX	UNITS	PEAK FORWARD CURRENT*	150	mA	STEADY CURRENT	30	mA	POWER DISSIPATION	105	mW	DERATE FROM 25°C	-1.2	mW/°C	OPERATING, STORAGE TEMP.	-20 TO +80	°C	SOLDERING TEMP.	+260	°C	2.0mm FROM BODY		3 SEC. MAX																								
PARAMETER	MAX	UNITS																																																	
PEAK FORWARD CURRENT*	150	mA																																																	
STEADY CURRENT	30	mA																																																	
POWER DISSIPATION	105	mW																																																	
DERATE FROM 25°C	-1.2	mW/°C																																																	
OPERATING, STORAGE TEMP.	-20 TO +80	°C																																																	
SOLDERING TEMP.	+260	°C																																																	
2.0mm FROM BODY		3 SEC. MAX																																																	
* $t < 10\mu\text{s}$																																																			
<p>RELIABILITY NOTE OUR MANY YEARS OF EXPERIENCE DATA ACCUMULATION INDICATE THAT SOLDER HEAT IS A MAJOR CAUSE OF EARLY AND FUTURE FAILURE. PLEASE PAY ATTENTION TO YOUR SOLDERING PROCESS.</p>																																																			
																																																			
290 E. HELLEN ROAD PALATINE, ILLINOIS 60067 (847) 359-2790																																																			
<small>CONFIDENTIAL INFORMATION THE INFORMATION CONTAINED IN THIS DOCUMENT IS THE PROPERTY OF LUMEX INCORPORATED. EXCEPT AS SPECIFICALLY AUTHORIZED IN WRITING BY LUMEX INCORPORATED, THE HOLDER OF THIS DOCUMENT SHALL KEEP ALL INFORMATION CONTAINED HEREIN CONFIDENTIAL AND SHALL PROTECT SAME IN WHOLE OR IN PART FROM DISCLOSURE AND DISSEMINATION TO ALL THIRD PARTIES.</small>																																																			
DATE: 2-12-98		DWN:																																																	
SCALE: N/A		CHK'D:																																																	
		APPD:																																																	
4.0" JUMBO SEVEN SEGMENT DISPLAY, 635nm RED, GREY FONT/WHITE SEGMENTS, COMMON CATHODE.																																																			
PAGE 1 OF 1		DRAWING NUMBER LDS-CA404RI																																																	
		REV																																																	



COMMON CATHODE
PIN NO 1,8



UNCONTROLLED DOCUMENT

UNLESS OTHERWISE SPECIFIED TOLERANCE IS $\pm 0.25\text{mm}$ (± 0.010) or μm