

Excellent Integrated System Limited

Stocking Distributor

Click to view price, real time Inventory, Delivery & Lifecycle Information:

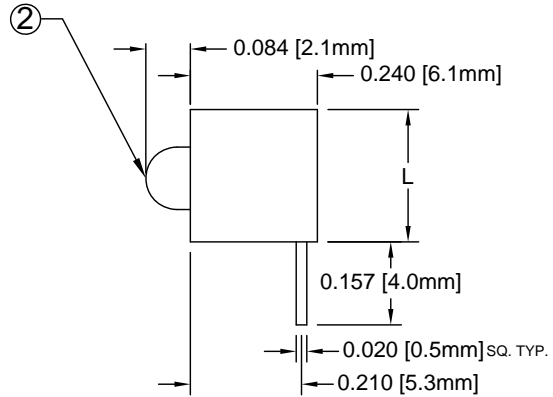
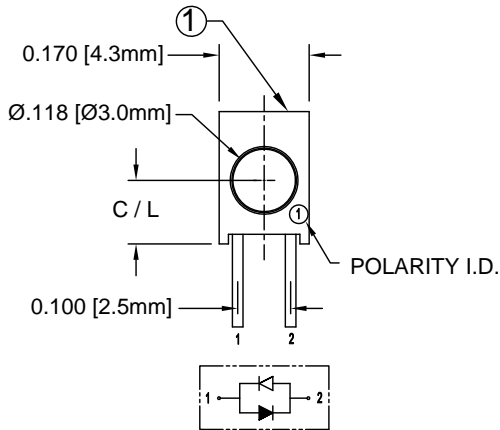
[Bivar, Inc.](#)
[H131CBC-180](#)

For any questions, you can email us directly:
sales@integrated-circuit.com



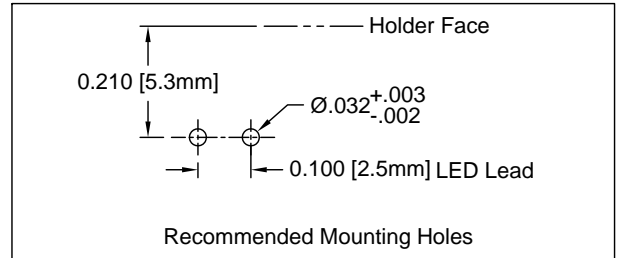
ITEM	QTY	PART NUMBER	PART DESCRIPTION
1	1	H-131C-1-XXX	T-1 (3mm) LED Holder, 90° Mount, Var. C/L
2	1	3BC-X	T-1 (3mm) N-Flange Shouldered Bi-Color LED, See Page 2

REV.	DESCRIPTION	DATE	APPROVED
A	Engineering Release	01/11/11	T. Y.
B	Engineering Update w/o Changes	06/20/16	J. C.



LED P/N	(1) CATHODE	(2) CATHODE
3BC	GREEN	RED
3BC-A/G	GREEN	AMBER
3BC-R/Y	YELLOW	RED
3BC-Y/G	GREEN	YELLOW

Available Centerlines		
XXX	C/L	L
120	.120 (3.0)	.250 (6.4)
140	.140 (3.6)	.270 (6.9)
160	.160 (4.1)	.290 (7.4)
180	.180 (4.6)	.310 (7.9)



ABSOLUTE MAXIMUM RATINGS (Ta=25° C)



REVERSE VOLTAGE _____ 5V
 REVERSE CURRENT _____ 100µA
 OPERATING TEMPERATURE RANGE _____ -25° C - 85° C
 STORAGE TEMPERATURE _____ -30° C - 100° C
 LEAD SOLDERING TEMPERATURE(1/16" FROM BODY) _____ 260° C FOR 5 SECONDS

STANDARD TOLERANCE (UNLESS OTHERWISE SPECIFIED)		 4 THOMAS, IRVINE, CA. 92618 TEL: (949) 951-8808 FAX: (949) 951-3974
DECIMALS	ANGULAR	
.X ±.1	X° ±1°	TITLE: T-1 (3MM) 90° SINGLE-LEVEL VAR. C/L LED ASSY
.XX ±.02		
.XXX ±.010		DESIGNED: M. Myers DATE: 01/11/11 CHECKED: T. Yin DATE: 01/11/11
		PART NO: H131CBC-XX-XXX REVISION: B CAGE CODE: 32559 SHEET # 1 OF 2

CAD GENERATED DOCUMENT. DO NOT MEASURE DRAWING.

REV	DESCRIPTION	DATE	APPROVED
	SEE SHEET #1		

LED Assy. No.	Peak Wave Length λ_p (nm)	Emitted Color	Lens Appearance	Electro-Optical Data @ 20mA				Viewing Angle $2\theta_{1/2}$ (Deg)	LED P/N
				I _f (mA)	V _f (V)		I _v (mcd)		
				TYP	TYP	MAX	TYP		
H131CBC-XXX	625	RED	WHITE DIFFUSED	20	2.0	2.8	6	45	3BC
	568	GREEN		20	2.1	2.8	6	45	
H131CBC-A/G-XXX	605	AMBER	WHITE DIFFUSED	20	2.0	2.8	6	45	3BC-A/G
	568	GREEN		20	2.1	2.8	6	45	
H131CBC-R/Y-XXX	625	RED	WHITE DIFFUSED	20	2.0	2.8	6	45	3BC-R/Y
	590	YELLOW		20	2.0	2.8	4	45	
H131CBC-Y/G-XXX	590	YELLOW	WHITE DIFFUSED	20	2.0	2.8	4	45	3BC-Y/G
	568	GREEN		20	2.1	2.8	6	45	

STANDARD TOLERANCE (UNLESS OTHERWISE SPECIFIED) ±10% ALL VALUES ANGULAR		 4 THOMAS, IRVINE, CA. 92618 TEL: (949) 951-8808 FAX: (949) 951-3974	
		 TITLE: T-1 (3MM) 90° SINGLE-LEVEL VAR. C/L LED ASSY	
DESIGNED: M. Myers	DATE: 01/11/11	PART NO: H131CBC-XX-XXX	REVISION: B
CHECKED: T. Yin	DATE: 01/11/11	CAGE CODE : 32559	SHEET # 2 OF 2
CAD GENERATED DOCUMENT. DO NOT MEASURE DRAWING.			