

Customer Information Sheet

DRAWING No.: S1941-46R

SHEET 2 OF 3

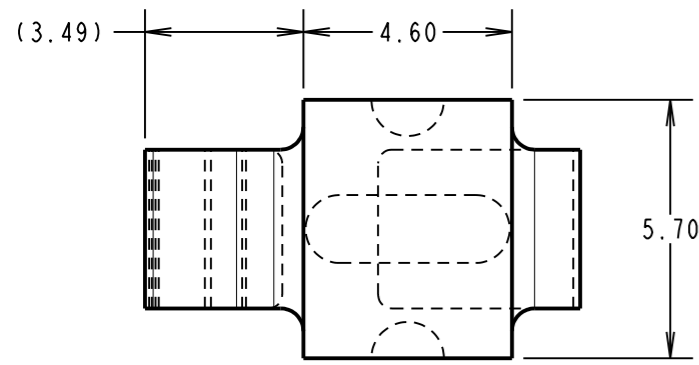
IF IN DOUBT - ASK

©

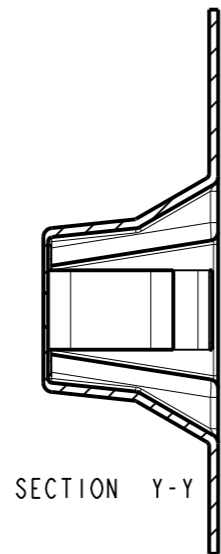
NOT TO SCALE

THIRD ANGLE PROJECTION

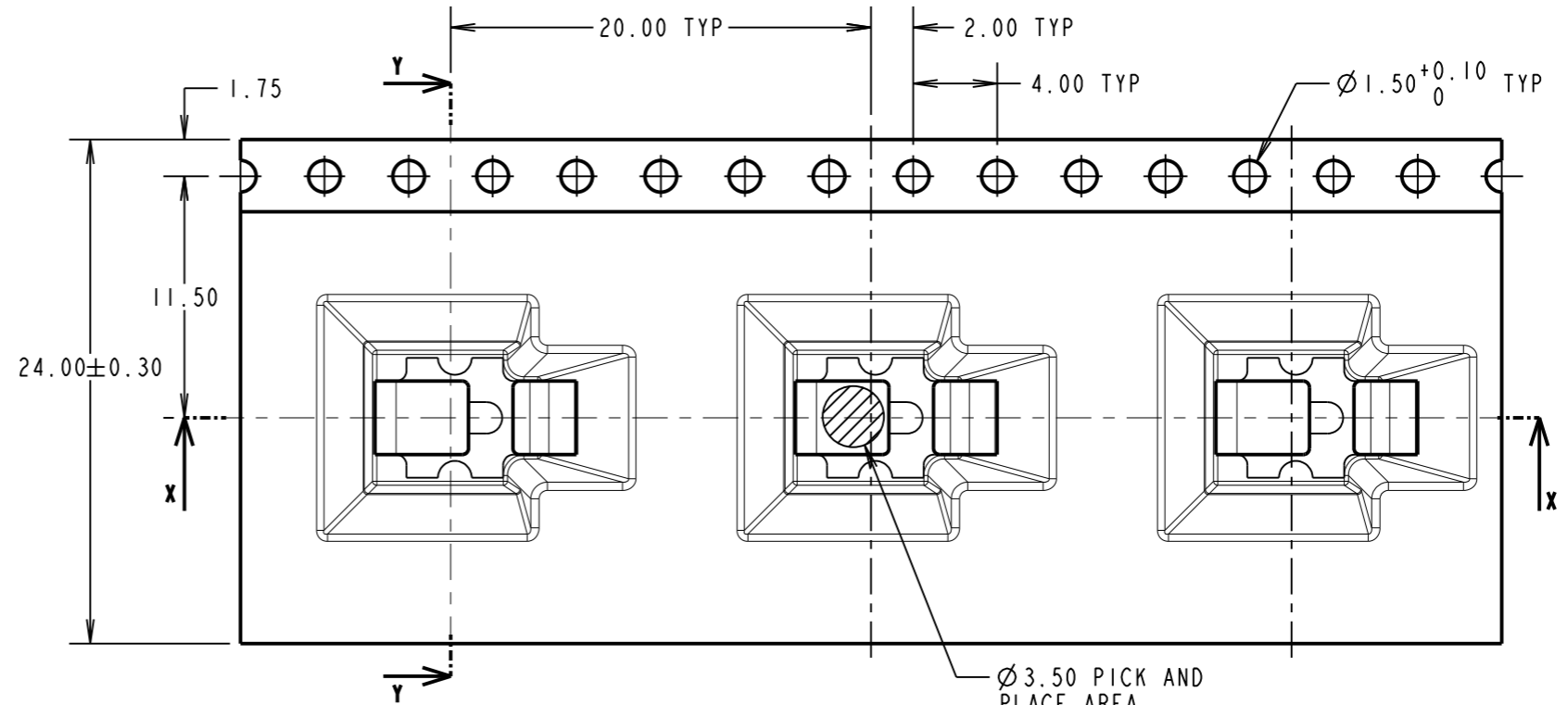
ALL DIMENSIONS IN mm



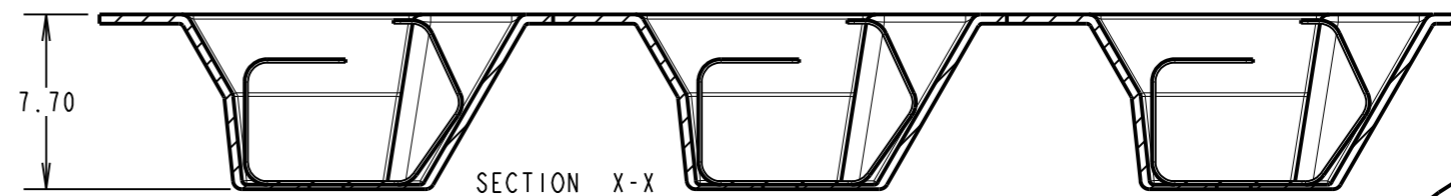
RECOMMENDED PCB PAD LAYOUT



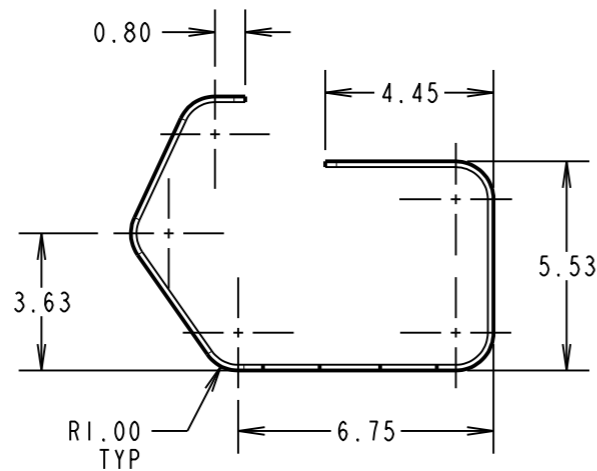
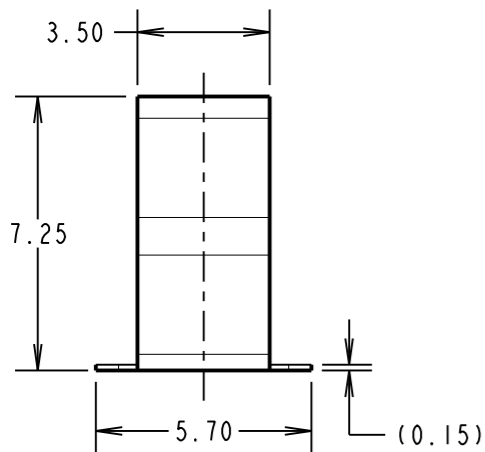
SECTION Y-Y



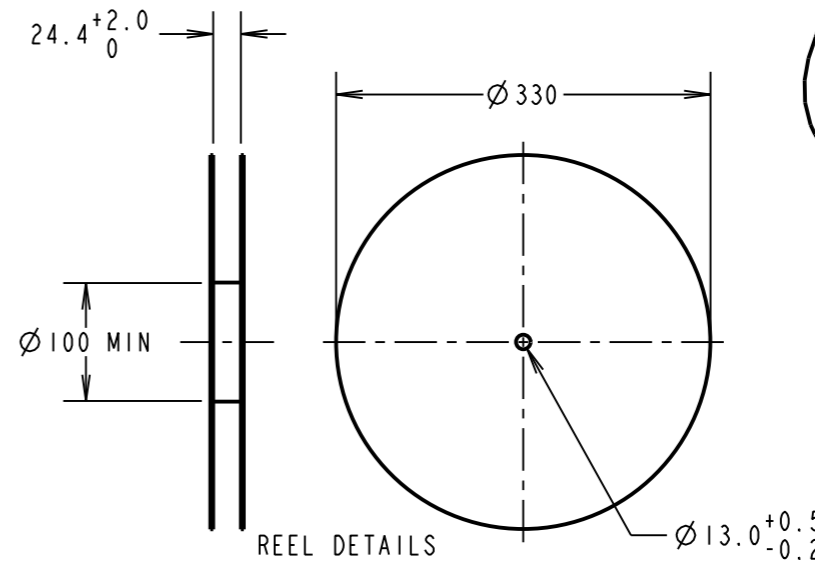
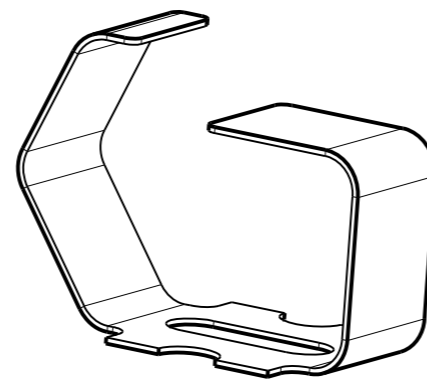
- NOTES:
 1. QUANTITY OF COMPONENTS PER REEL = 350.
 2. THIS PRODUCT IS TAPED AND REELED IN ACCORDANCE WITH EIA-481 (ELECTRONICS INDUSTRIES ASSOCIATION).



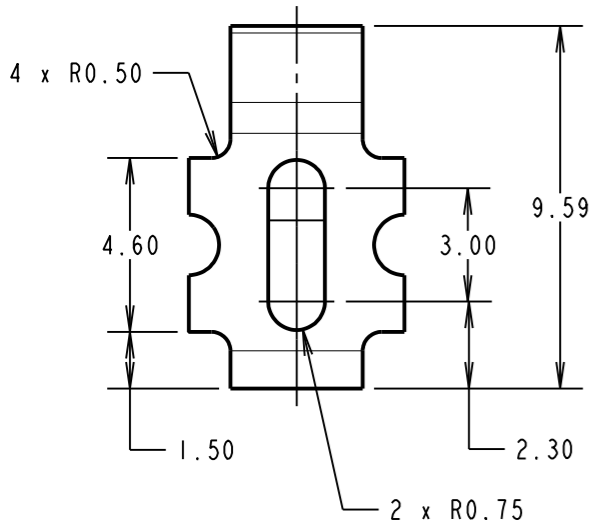
SECTION X-X



COMPONENT DETAILS



REEL DETAILS



SB	4	15.04.14	12445
NAME	ISS.	DATE	C/NOTE
APPROVED:		S.BENNETT	
CHECKED:		M.PLESTED	
DRAWN:		S.BENNETT	
CUSTOMER REF.:			
ASSEMBLY DRG:			

<p>www.harwin.com technical@harwin.com</p>	<p>THIS DRAWING AND ANY INFORMATION OR DESCRIPTIVE MATTER SET OUT HEREON ARE CONFIDENTIAL AND COPYRIGHT PROPERTY OF THE HARWIN GROUP AND MUST NOT BE DISCLOSED, LOANED, COPIED OR USED FOR MANUFACTURING, TENDERING OR FOR ANY OTHER PURPOSE WITHOUT THEIR WRITTEN PERMISSION.</p>	<p>TOLERANCES X. = ±1mm X.X = ±0.50mm X.XX = ±0.10mm X.XXX = ±0.01mm ANGLES = ±5° UNLESS STATED</p>	<p>MATERIAL: SEE ABOVE</p>	<p>TITLE: MULTI-DIRECTIONAL SHIELD FINGER IN TAPE AND REEL</p>
			<p>FINISH: SEE ABOVE</p>	
			<p>S/AREA: mm²</p>	<p>SHT 2 OF 3</p>

Customer Information Sheet

DRAWING No.: S1941-46R

SHEET 3 OF 3

IF IN DOUBT - ASK

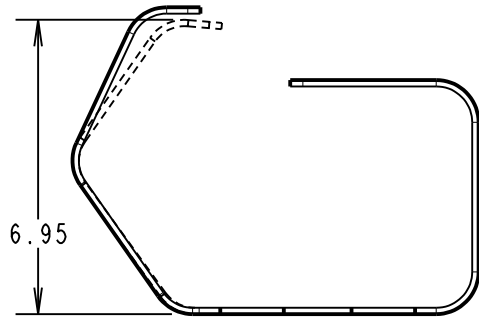
©

NOT TO SCALE

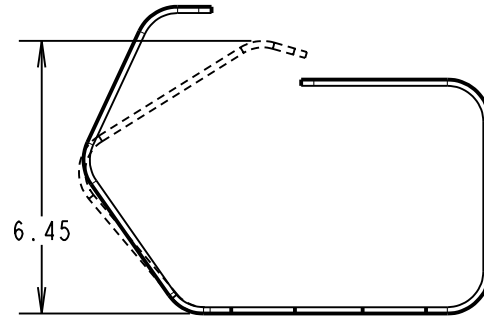
THIRD ANGLE PROJECTION

ALL DIMENSIONS IN mm

**S1941-46R
DEFLECTION FROM ABOVE**

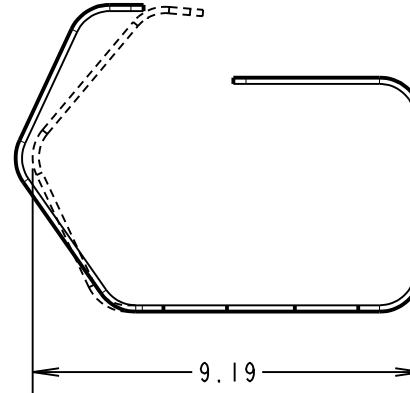


RECOMMENDED WORKING HEIGHT
OF 6.95mm = 0.30mm DEFLECTION,
MINIMUM FORCE OF 1.2N

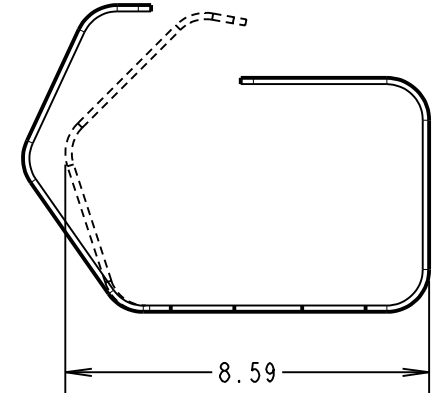


MINIMUM RECOMMENDED HEIGHT
OF 6.45mm = 0.80mm DEFLECTION

**S1941-46R
DEFLECTION FROM FRONT**



RECOMMENDED WORKING LENGTH
OF 9.19mm = 0.40mm DEFLECTION,
MINIMUM FORCE OF 1.2N



MINIMUM RECOMMENDED LENGTH
OF 8.59mm = 1.00mm DEFLECTION

COMPONENT SPECIFICATION:
MATERIAL = BERYLLIUM COPPER
FINISH = 3 μ 100% TIN OVER 2 μ NICKEL
CURRENT RATING = 9A MAX
DURABILITY = 5000 CYCLES

SB	4	15.04.14	12445
NAME	ISS.	DATE	C/NOTE
APPROVED:		S.BENNETT	
CHECKED:		M.PLESTED	
DRAWN:		S.BENNETT	
CUSTOMER REF.:			
ASSEMBLY DRG:			

HARWIN

www.harwin.com
technical@harwin.com

THIS DRAWING AND ANY
INFORMATION OR DESCRIPTIVE
MATTER SET OUT HEREON ARE
CONFIDENTIAL AND COPYRIGHT
PROPERTY OF THE HARWIN
GROUP AND MUST NOT BE
DISCLOSED, LOANED, COPIED
OR USED FOR MANUFACTURING,
TENDERING OR FOR ANY
OTHER PURPOSE WITHOUT
THEIR WRITTEN PERMISSION.

TOLERANCES
X. = ± 1 mm
X.X = ± 0.50 mm
X.XX = ± 0.10 mm
X.XXX = ± 0.01 mm
ANGLES = $\pm 5^\circ$
UNLESS STATED

MATERIAL:
SEE ABOVE
FINISH: SEE ABOVE
S/AREA: mm²

TITLE:
MULTI-DIRECTIONAL SHIELD FINGER
IN TAPE AND REEL
DRAWING NUMBER:
S1941-46R

SHT
3
OF
3