

Excellent Integrated System Limited

Stocking Distributor

Click to view price, real time Inventory, Delivery & Lifecycle Information:

[Mallory Sonalert Products](#)
[SCS045MD7DT2S](#)

For any questions, you can email us directly:

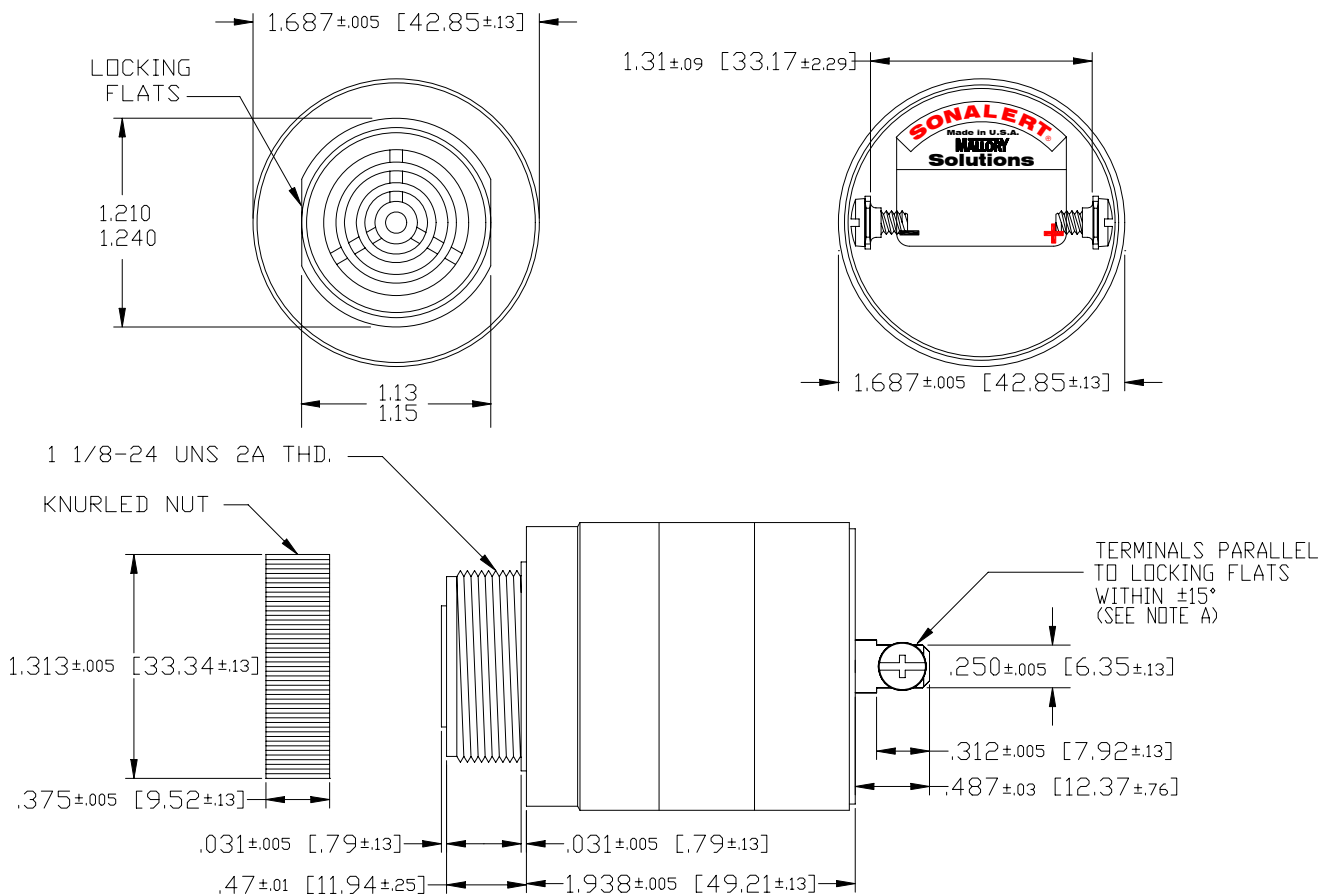
sales@integrated-circuit.com

MALLORY Mallory Sonalert Products Inc.	Part # SCS045MD7DT2S
Sales Outline Drawing	Revision A

Specifications:

Sound level Category	Medium Sound Level
Mode of Operation	Dual Tone
Mounting	Panel (see note)
Voltage Rating	10 to 45 VDC
Frequency	800 - 600 Hz
Loudness (Typical)	80 dB(A) @ 2 FT
Current Draw (max)	50 mA
Storage Temperature	-40°C to +65°C
Operating Temperature	-30°C to +65°C
Weight (Typical)	78 g
Housing	6/6 Nylon, Color Black
Options	For other options contact factory

Dimensions: Inches (mm)



NOTE: MOUNTING- REMOVE BLACK PLASTIC NUT AND INSERT THREADED FRONT THROUGH 1.25" HOLE PUNCHED IN PANEL, IF ORIENTATION IS NEEDED, NOTE LOCKING FLATS ON DRAWING. SCREW NUT BACK ON. DO NOT OVERTIGHTEN.