

## Excellent Integrated System Limited

Stocking Distributor

Click to view price, real time Inventory, Delivery & Lifecycle Information:

[Mallory Sonalert Products](#)  
[SCS045MD9DT3S](#)

For any questions, you can email us directly:

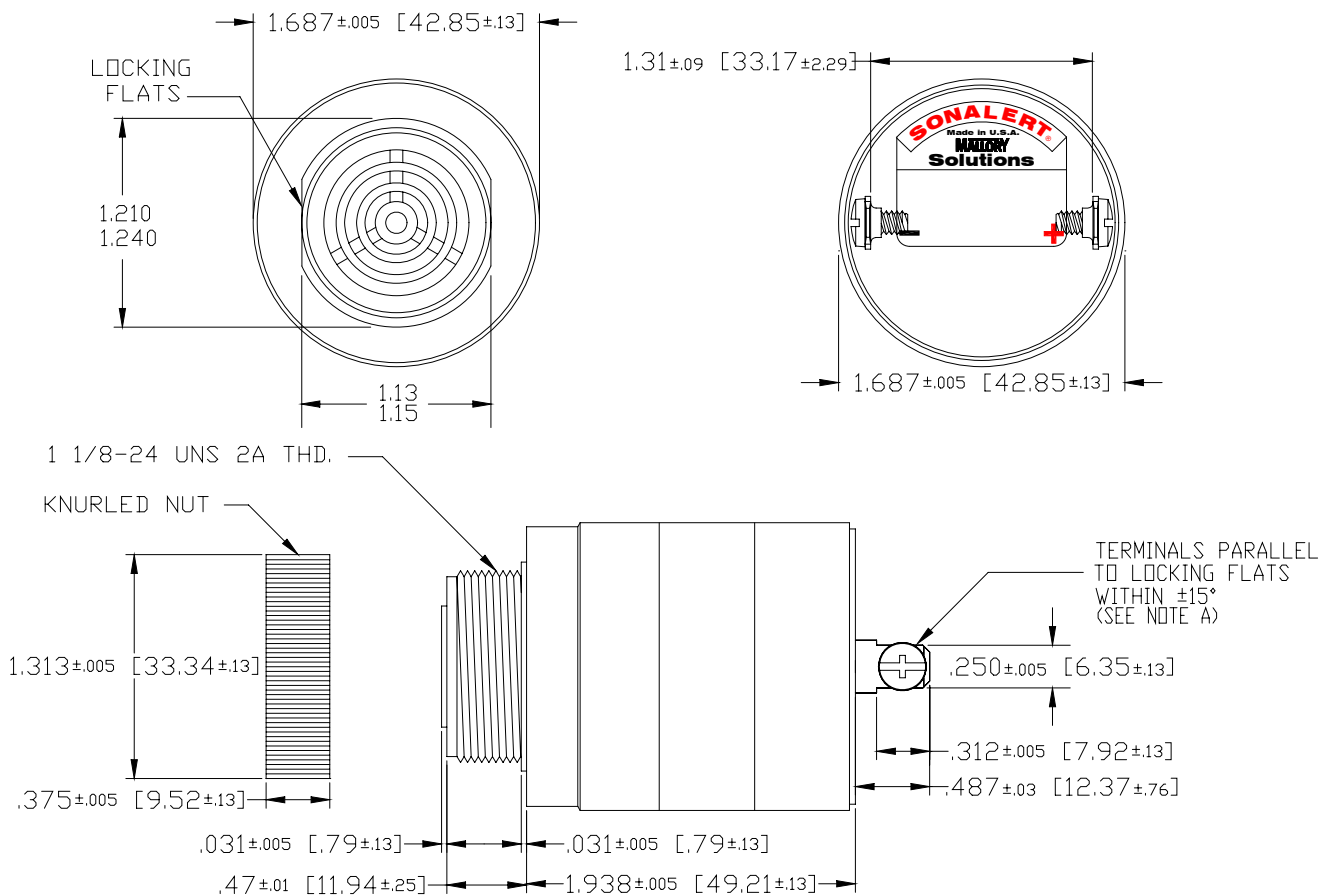
[sales@integrated-circuit.com](mailto:sales@integrated-circuit.com)

<b>MALLORY</b> Mallory Sonalert Products Inc.	Part # <b>SCS045MD9DT3S</b>
<b>Sales Outline Drawing</b>	Revision <b>A</b>

**Specifications:**

Sound level Category	Medium Sound Level
Mode of Operation	Dual Tone
Mounting	Panel (see note)
Voltage Rating	10 to 45 VDC
Frequency	1000 - 800 Hz
Loudness (Typical)	80 dB(A) @ 2 FT
Current Draw (max)	150 mA
Storage Temperature	-40°C to +65°C
Operating Temperature	-30°C to +65°C
Weight (Typical)	78 g
Housing	6/6 Nylon, Color Black
Options	For other options contact factory

**Dimensions:** Inches (mm)



NOTE: MOUNTING- REMOVE BLACK PLASTIC NUT AND INSERT THREADED FRONT THROUGH 1.25" HOLE PUNCHED IN PANEL, IF ORIENTATION IS NEEDED, NOTE LOCKING FLATS ON DRAWING. SCREW NUT BACK ON. DO NOT OVERTIGHTEN.