

Excellent Integrated System Limited

Stocking Distributor

Click to view price, real time Inventory, Delivery & Lifecycle Information:

[FCI](#)

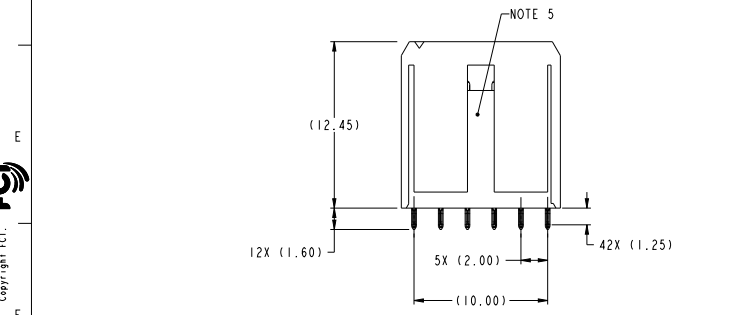
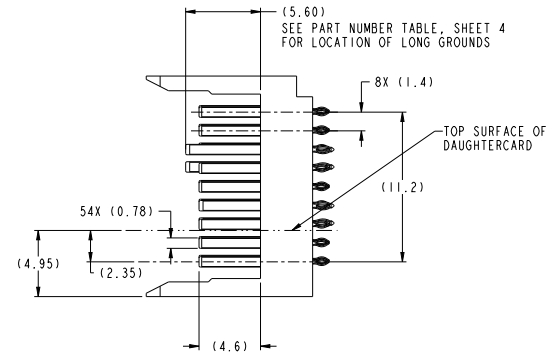
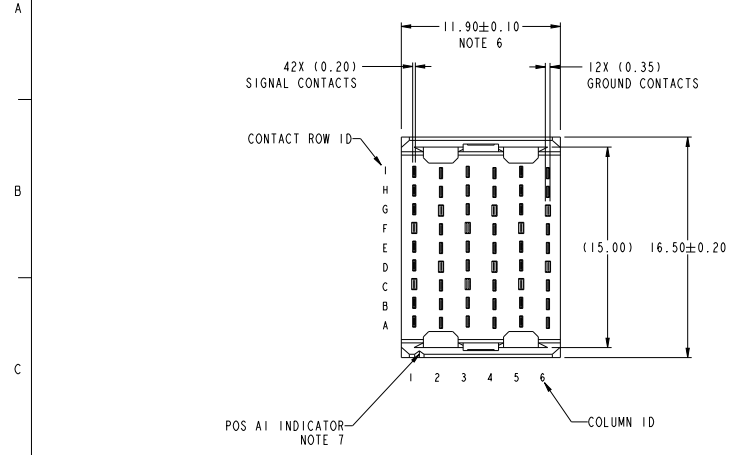
[10124261-101LF](#)

For any questions, you can email us directly:

sales@integrated-circuit.com

Product number

SEE TABLE, SHT 3



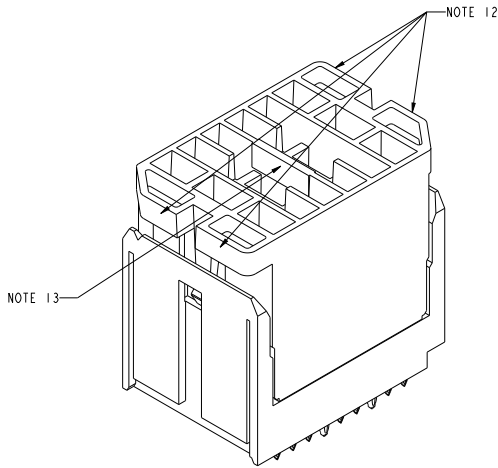
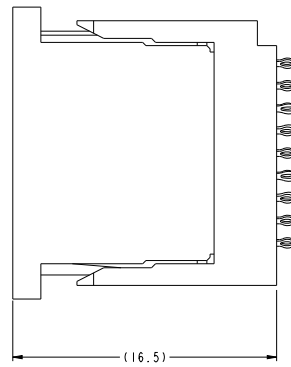
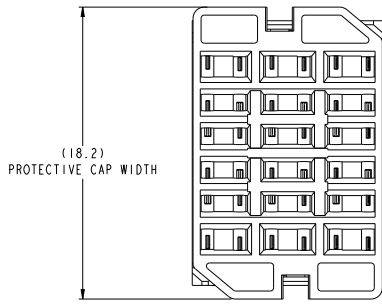
spec. ref.	-	dr.	Isside Sun	designed	projection	MM	size	A2	scale	5:1
tolerance std	ASME Y14.5	eng	Isside Sun	checked	product family	AIRMAX VS	rel. level	Released	acc. no.	
	TOLERANCES UNLESS OTHERWISE SPECIFIED	chr								
surface	linear	0.1	±0.3	FCI	AIRMAX VSe VERTICAL HEADER		10124261	rev	A	
		0.2X	±0.10		SMALL PF, 54 POS, 12 mm, NARROW BODY					
ASME Y14.5	angular	0°	±2°	www.fci.com	cat. no.	Product - Customer Draw	sheet 1 of 4			

PDS: Rev: A

STATUS: Released

Printed: Nov 14, 2013

Copyright FCI



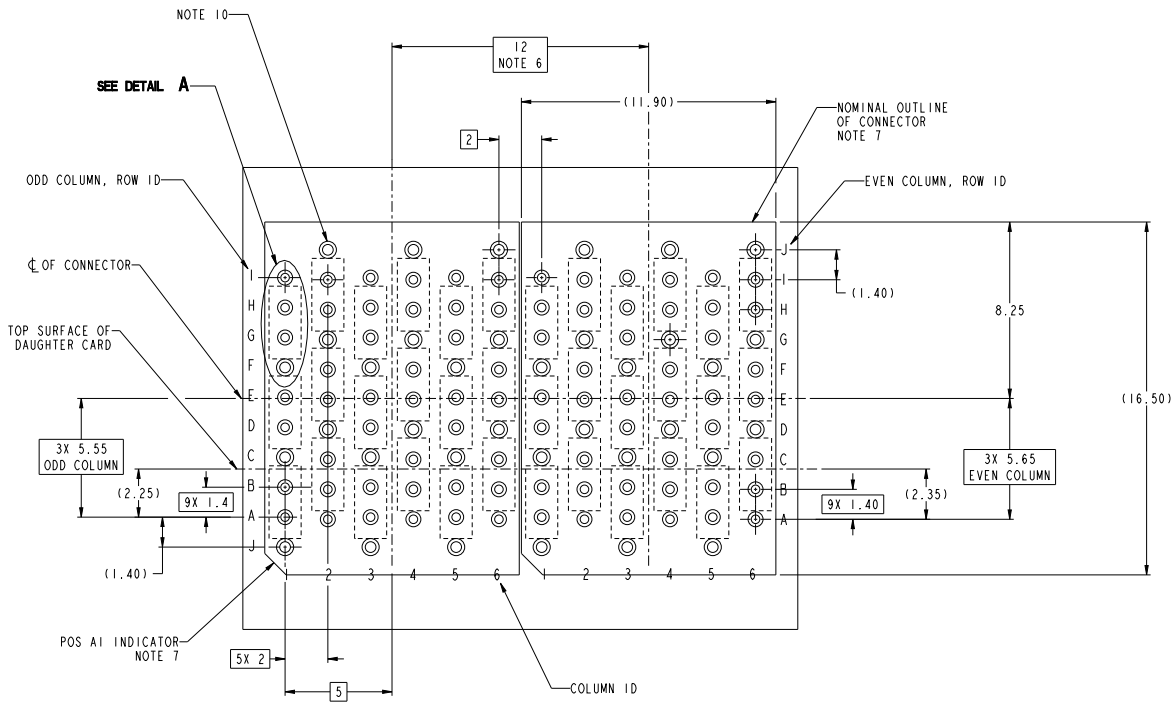
VIEWS SHOWN WITH
PROTECTIVE COVER INSTALLED

spec. ref.	-	dr.	Isside Sun	designed	projection	MM	size	A2	scale	5:1
tolerance std	ASME Y14.5	eng	Isside Sun	checked	①	←	acc. no.		rel. level	Released
	TOLERANCES UNLESS OTHERWISE SPECIFIED	appr	Yi-Ming Zhang	approved	product family	AIRMAX VS				
surface	linear	0.1	±0.3		AIRMAX VS [®] VERTICAL HEADER		10124261	rev	A	
		0.2X	±0.10	www.fci.com	SMALL PF., 54 POS., 12 mm, NARROW BODY					
ASME Y14.5	angular	0°	±2°	cat. no.		Product - Customer Draw	sheet 2 of 4			

PDS: Rev: A

STATUS: Released

Printed: Nov 14, 2013



RECOMMENDED PCB LAYOUT
FOR DIFFERENTIAL APPLICATIONS,
COMPONENT SIDE
(TWO ADJACENT FOOTPRINTS SHOWN)
NOTES 6, AND 8

spec. ref.	-	dr.	Isside Sun	designed		projection	MM	size	A2	scale	3:1
tolerance std	ASME Y14.5	eng	Isside Sun	checked		product family	AIRMAX VS	rel. level	Released	acc. no.	
	TOLERANCES UNLESS OTHERWISE SPECIFIED	chr	Isside Sun	approved							
		appr	Isside Sun								
surface	linear	0.1	±0.3	FCI	AIRMAX VSe VERTICAL HEADER					10124261	rev
		0.2X	±0.10		SMALL PF, 54 POS, 12 mm, NARROW BODY						A
	angular	0.2X	±0.050	www.fci.com							
		0°	±2°								

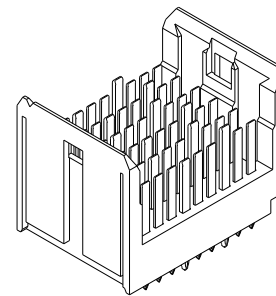
PDS: Rev: A

STATUS: Released

Printed: Nov 14, 2013

Copyright FCI

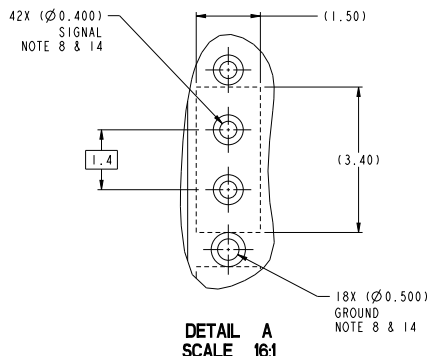
PART NUMBER	PRESS-FIT TAIL PLATING TYPE	PROTECTIVE COVER	LONG GROUND PIN LOCATIONS (5.6MM)
10124261-101LF	TIN OVER NICKEL (LEAD FREE)	YES	F1, F3, F5, G2, G4, G6



10124261-101LF (REMOVE THE COVER)

NOTES:

1. CONNECTOR MATERIALS:
HOUSING: HIGH TEMP THERMOPLASTIC, BLACK, UL94V-0
CONTACT: COPPER ALLOY
2. CONTACT PLATING:
SEPARABLE INTERFACE: PERFORMANCE-BASED PLATING, QUALIFIED TO MEET THE REQUIREMENTS OF FCI PRODUCT SPECIFICATION GS-12-239 INCLUDING TELCORDIA GR-1217-CORE (NOVEMBER 1995) CENTRAL OFFICE TEST SEQUENCE PRESS-FIT TAILS: SEE TABLE
3. PRODUCT SPECIFICATION: GS-12-239.
4. APPLICATION SPECIFICATION: GS-20-035.
5. PRODUCT MARKING, (PROTOTYPE, PART NUMBER & LOT CODE), ON THIS SURFACE.
6. THE MINIMUM CENTERLINE SPACING BETWEEN ADJACENT MODULES IS 12.0 mm.
7. CONNECTOR OUTLINE WITH HOUSING POS A1 INDICATOR MAY BE SCREEN PRINTED ONTO CUSTOMER PCB TO BE USED AS A GUIDE FOR MANUAL CONNECTOR PLACEMENT.
8. REFER TO CUSTOMER DRAWING 10104444 FOR INFORMATION ON PCB HOLE DIAMETERS AND PLATING OPTIONS.
9. LEAD FREE PRODUCT MEETS EUROPEAN UNION DIRECTIVES AND OTHER COUNTRY REGULATIONS AS DESCRIBED IN GS-22-008.
10. THE OUTER VIAS IN COLUMN J ARE OPTIONAL, IF ADDED THESE HOLES PROVIDE GROUND SYMTRY THROUGH THE PCB. NO CONNECTOR EONS WILL BE PRESSED INTO THESE HOLES.
11. PACKAGING MEETS GS-14-920 LEAD FREE LABELING SPECIFICATION.
12. FOR REMOVAL OF THE PROTECTIVE CAP BY HAND, GRIP USING THESE SURFACES.
13. FOR REMOVAL OF THE PROTECTIVE CAP WITH PLIERS, GRIP USING THIS FEATURE.
14. GROUND VIAS IN POSITIONS C, F, & J FOR ODD COLUMNS AND POSITIONS D, G, & J FOR EVEN COLUMNS REQUIRE (Ø0.50) FINISHED HOLES. ALL OTHER VIAS REQUIRE (Ø0.40) FINISHED HOLES.
15. A Δ SYMBOL WILL BE NEXT TO ANY DIMENSION, VIEW OR NOTE, WHICH HAS BEEN MODIFIED WITH THE CURRENT DRAWING REVISION.



spec. ref.	dr.	projection	MM	size	A2	scale	5:1
tolerance std	eng	chr	appr	product family	AIRMAX VS	rel. level	Released
ASME Y14.5	TOLERANCES UNLESS OTHERWISE SPECIFIED	www.fcil.com	cat. no.				
surface	linear	angular	form	FCI	AIRMAX VSe VERTICAL HEADER	10124261	rev
ASME Y14.5	0.1 ±0.3 0.2X ±0.10 0.2X ±0.050	Ø	±2	www.fcil.com	SMALL PF., 54 POS., 12 mm, NARROW BODY		A

PDS: Rev: A

STATUS: Released

Printed: Nov 14, 2013