

Excellent Integrated System Limited

Stocking Distributor

Click to view price, real time Inventory, Delivery & Lifecycle Information:

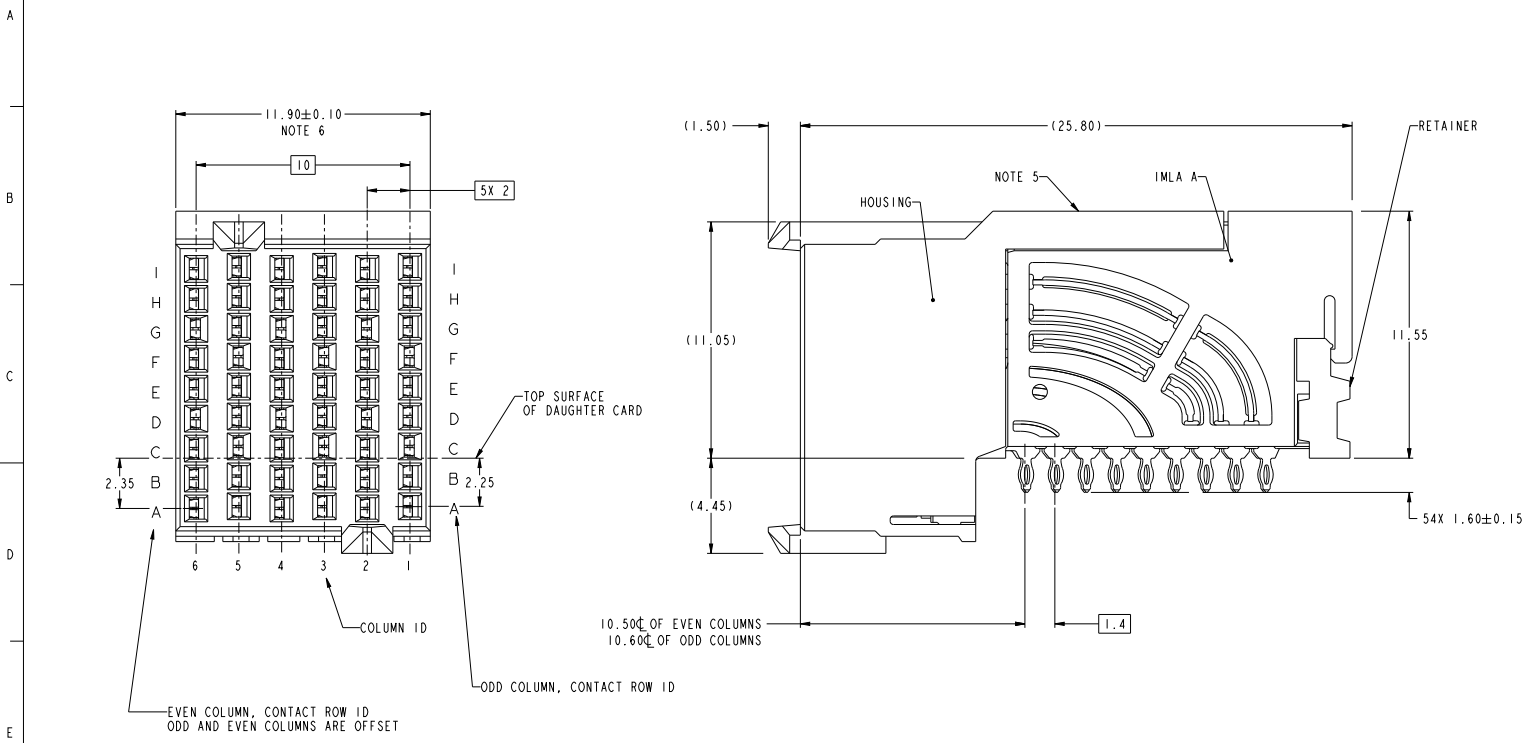
[FCI](#)

[10124459-101LF](#)

For any questions, you can email us directly:

sales@integrated-circuit.com

PRODUCT NUMBER
SEE SHEET 3



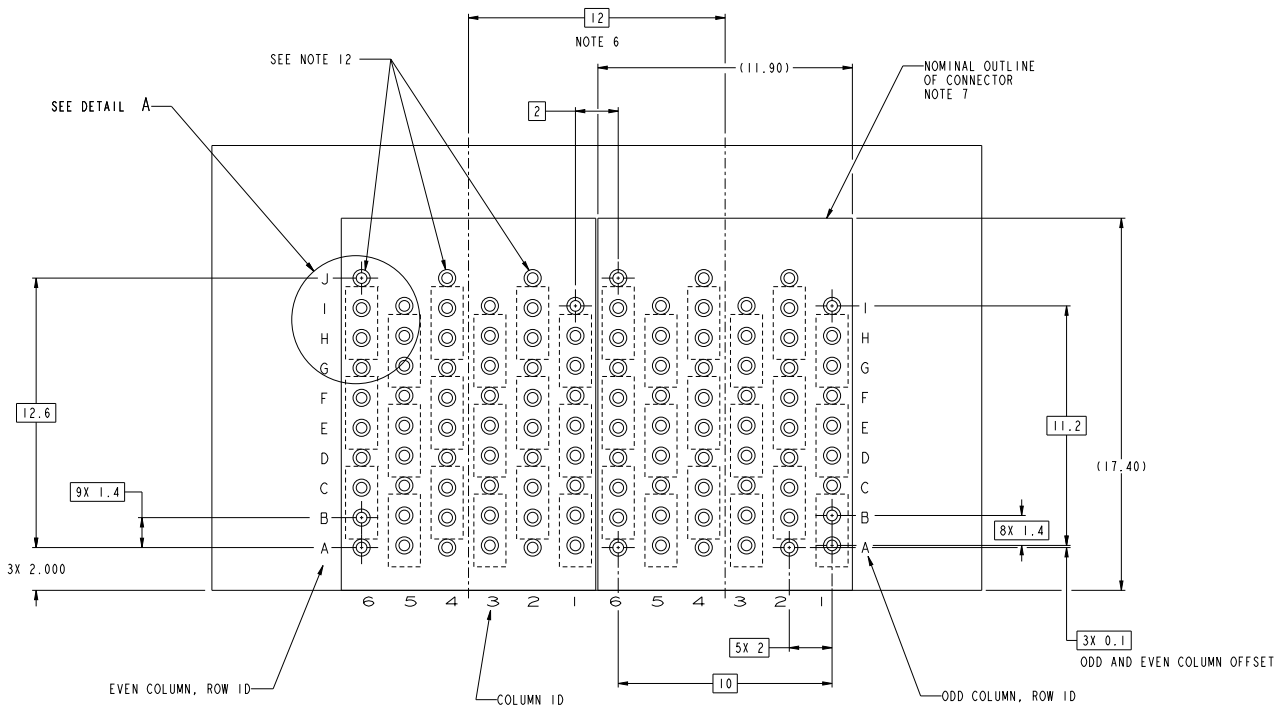
Copyright FCI

spec ref	---	dr	1/24/2015	projection	MM	size	A2	scale	1:1
tolerance std	ASME Y14.5M	eng	...	product family	AirMax VSE	rel level	Released	acc no	10124459
TOLERANCES UNLESS OTHERWISE SPECIFIED		chr	...	part number	...	Product	Customer Draw	sheet 1 of 3	rev B
surface	linear	0.X	±.3		AIRMAX VS2 R.A. RECEPTACLE			10124459	B
		0.XX	±.10		ASS'Y, 3 PAIR, 54 POS, 6 IMLA, 12MM				
		0.XXX	±.050		www.fci.com cat. no. ...				
angular	0°	±°	...	Product	Customer Draw	sheet 1 of 3	rev B		

PDS: Rev:B

STATUS: Released

Printed: Feb 06, 2015



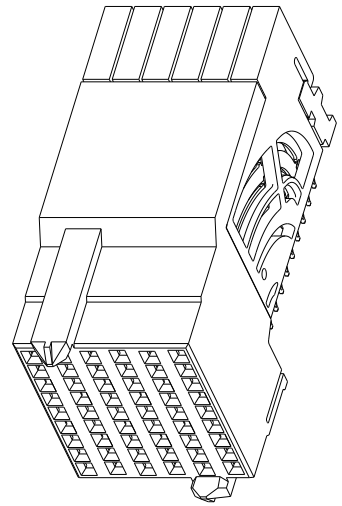
RECOMMENDED PCB LAYOUT
FOR DIFFERENTIAL APPLICATIONS
COMPONENT SIDE
(TWO ADJACENT FOOTPRINTS SHOWN)
NOTES 6, 8, & 11

spec ref	---	dr	1/1/2015	projection	MM	size	A2	scale	1:1
tolerance std	ASME Y14.5M	eng	...	product family	AirMax VSE	acc no	10124459	rel level	Released
surface	linear	0.1	±.3	AIRMAX VS2 R.A. RECEPTACLE ASS'Y, 3 PAIR, 54 POS., 6 IMLA, 12MM		rev	B	Product - Customer Draw sheet 2 of 3	
	angular	0.25	±.050			PDS: Rev : B STATUS: Released Printed: Feb 06, 2015			

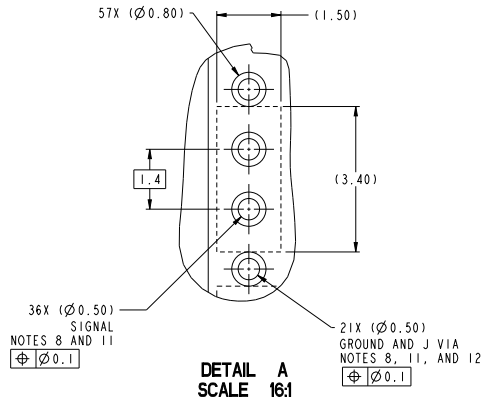
Copyright FCI

PRODUCT NUMBER	PRESS-FIT TAIL PLATING TYPE
10124459-101	TIN/LEAD ALLOY OVER NICKEL
10124459-101LF	TIN OVER NICKEL (LEAD FREE)

- 1 - CONNECTOR MATERIALS:
HOUSING: HIGH TEMP THERMOPLASTIC, NATURAL, UL94-V0
IMLA PLASTIC: HIGH TEMP THERMOPLASTIC, BLACK, UL94-V0
CONTACT: COPPER ALLOY
ORGANIZER: HIGH TEMP THERMOPLASTIC, WHITE, UL94-V0
- 2 - CONTACT PLATING:
SEPARABLE INTERFACE:
PERFORMANCE-BASED PLATING, QUALIFIED TO MEET THE REQUIREMENTS OF FCI PRODUCT SPECIFICATION GS-12-0956 INCLUDING TELCORDIA GR-1217-CORE (NOVEMBER 1995) CENTRAL OFFICE TEST SEQUENCE
PRESS-FIT TAILS: SEE TABLE
- 3 - PRODUCT SPECIFICATION: GS-12-0956
- 4 - APPLICATION SPECIFICATION: GS-20-0305.
- 5 - PRODUCT MARKING, (PART NUMBER & LOT CODE), ON THIS SURFACE.
- 6 - THE MINIMUM CENTERLINE SPACING BETWEEN ADJACENT MODULES IS 12.0 MM.
- 7 - CONNECTOR OUTLINE MAY BE SCREEN PRINTED ONTO CUSTOMER PCB TO BE USED AS A GUIDE FOR MANUAL CONNECTOR PLACEMENT.
- 8 - REFER TO CUSTOMER DRAWING 10104444 FOR INFORMATION ON PCB HOLE DIAMETERS AND PLATING OPTIONS
- 9 - LEAD FREE PRODUCT MEETS THE EUROPEAN UNION DIRECTIVES & OTHER COUNTRY REGULATIONS AS DESCRIBED IN GS-22-008
- 10 - PACKAGING MEETS GS-14-920 LEAD FREE LABELING SPECIFICATION.
- 11 - GROUND CONTACTS (C, F, AND I IN ODD COLUMNS AND A, D, AND G, EVEN COLUMNS) REQUIRE (Ø0.500) FINISHED HOLES. SIGNAL LOCATIONS REQUIRE (Ø0.500) FINISHED HOLES.
- 12 - THESE OUTER VIAS (J) ARE OPTIONAL. WHILE NO CONNECTOR EONS ARE PRESSED INTO THESE HOLES WE RECOMMEND (Ø0.500) FINISHED HOLES AT THESE LOCATIONS TO PROVIDE GROUND SYMMETRY THROUGH THE PCB.



10124459-101 OR -101LF



spec ref	---	dr	1/2/2015/010	projection	MM	size	A2	scale	4:1
tolerance std	ASME Y14.5M	eng	www.fci.com	chr	www.fci.com	acc no		rel level	Released
surface	linear	0.X	±.3	0.XX	±.10	0.XXX	±.050	FCI	AIRMAX VS2 R.A. RECEPTACLE ASS'Y, 3 PAIR, 54 POS, 6 IMLA, 12MM
angular	0°	±						www.fci.com	cat. no. Product - Customer Draw
									10124459
									rev B

PDS: Rev :B

STATUS: Released

Printed: Feb 06, 2015

Copyright FCI.