

## Excellent Integrated System Limited

Stocking Distributor

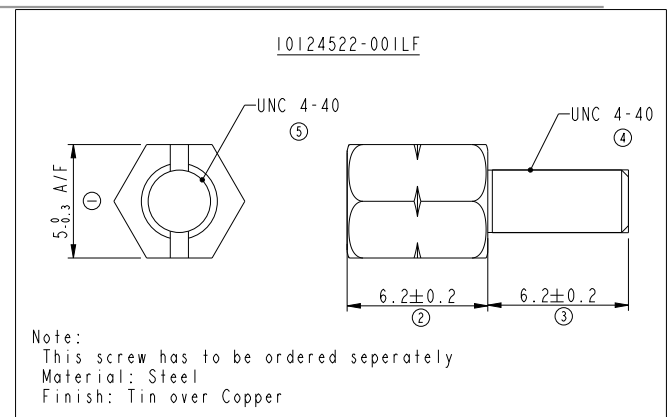
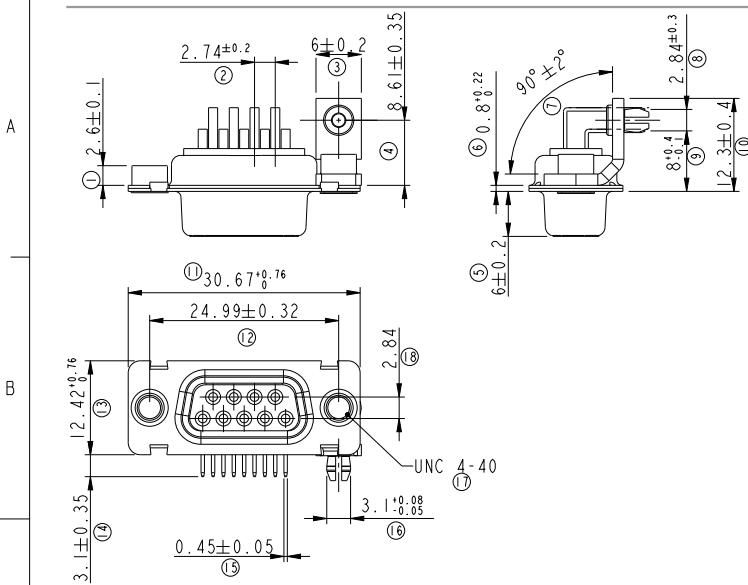
Click to view price, real time Inventory, Delivery & Lifecycle Information:

[FCI](#)

[10124522-001LF](#)

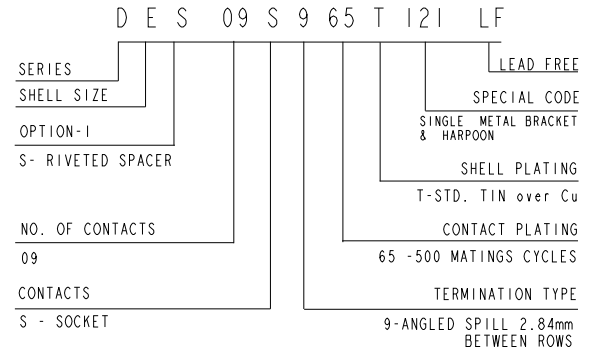
For any questions, you can email us directly:

[sales@integrated-circuit.com](mailto:sales@integrated-circuit.com)



**TECHNICAL SPECIFICATIONS**

- SHELLS : TIN PLATED STEEL
- INSULATOR MATERIAL : SELF EXTINGUISHING THERMO-PLASTIC TO UL CLASS 94 V0.
- CONTACTS DIA ON ACTIVE AREA : Ø1 MM.
- CONTACTS MATERIAL : COPPER ALLOY
- CONTACT PLATING : Pd(+Au Flash) 0.76 µ min. over 1.27µ min.
- OPERATING TEMPERATURE : -55°C +125°C
- OPERATING CURRENT : 5 A PER CONTACT
- CONTACT RESISTANCE : <math>\leq 25m\Omega</math>
- INSULATION RESISTANCE : >5000 MΩ
- MAXIMUM VOLTAGE : 1000 V.r.m.s
- MECHANICAL ENDURANCE : 500 MATINGS
- DAMP HEAT : 21 DAYS
- TORQUE REQUIREMENT : 0.4Nm MAX



Copyright FCI

"This LF product meets European Union Directives and other country regulations as described in GS-47-0004"  
The housing will withstand exposure to 260°C peak temperature for 3.5 seconds in a wave solder application with a 1.6mm minimum thick circuit board.

spec ref	-	dr	Paul Milton	201400716	projection	mm	size	A3	scale	2:1
tolerance std	ISO 406 ISO 1101	eng	Paul Milton	201400714	chr	-	ecn no	-	rel level	Released
TOLERANCES UNLESS OTHERWISE SPECIFIED		appr	K.Paul Biju	201400714	product family	D-SUB				
surface	linear	0.X	±0.3		title		D SUB SPL. A/S CONNECTOR		eng no 10124522	rev B
		0.XX	±0.1		with single bracket & single harpoon					
		0.XXX	±0.05		cat. no.					
	angular	0°	±2°	www.fci.com	Product - Customer Drw		sheet 1 of 1			

1

2

3

PDS: Rev B

STATUS: Released

Printed: Aug 14, 2014