

Excellent Integrated System Limited

Stocking Distributor

Click to view price, real time Inventory, Delivery & Lifecycle Information:

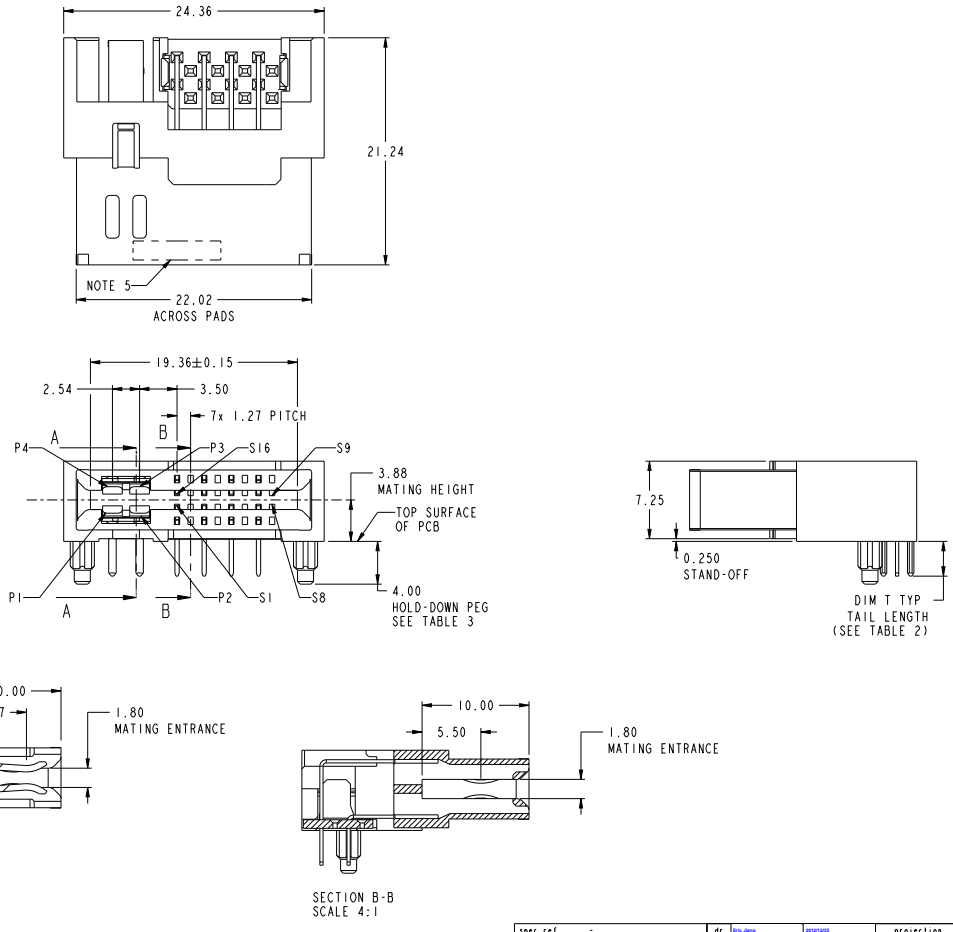
[FCI](#)

[10123844-001LF](#)

For any questions, you can email us directly:

sales@integrated-circuit.com

Amphenol FCI
© 2018 FCI



spec. ref.	-	dr.	001000	projection	MM	size	A2	scale	4:1
tolerance	ISO 406	TOLERANCES UNLESS OTHERWISE SPECIFIED	chg	001000		acc. no.		rel. level	Released
	ISO 1101		chr	001000		product family			
			appr	001000					
surface	linear	0.1 ±0.5	Amphenol FCI		R/A REC 4P+16S		10123844	rev	B
	angular	0.25 ±0.10							
		0.2 ±2	cat. no.		Product - Customer Draw		sheet 1 of 4		

PDS: Rev: B

STATUS: Released

Printed: May 24, 2016

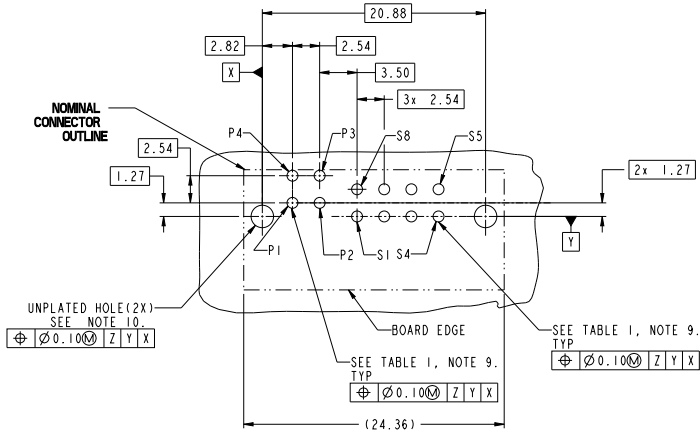
2

3

4

5

CONTACT TYPE	TOP LAYER DESCRIPTION	TABLE 1 (HPCE / SOLDER TAILS) PLATED THROUGH-HOLE REQUIREMENTS				
		DRILLED HOLE DIAMETER	COPPER THICKNESS	TIN-LEAD THICKNESS	TIN THICKNESS	FINISHED HOLE DIAMETER
POWER & SIGNAL	TIN-LEAD	1.10-1.16 (1.15 DRILL)	0.025 - 0.050	0.005 - 0.015	--	0.94 - 1.10
	IMMERSION TIN	1.10-1.16 (1.15 DRILL)	0.025 - 0.050	--	0.9 - 1.5um	0.94 - 1.10
	COPPER (SEE NOTE 8)	1.10-1.16 (1.15 DRILL)	0.025 - 0.050	--	--	0.94 - 1.10



RECOMMENDED PCB LAYOUT

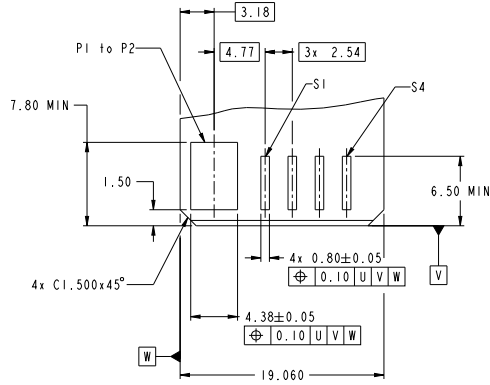
spec. ref.	-	dr.	ISO 9001	projection	MM	size	A2	scale	4:1
tolerance	ISO 406 ISO 1101	ISO 1101	ISO 1101	ISO 1101	ISO 1101	ISO 1101	ISO 1101	ISO 1101	ISO 1101
TOLERANCES UNLESS OTHERWISE SPECIFIED		ISO 1101	ISO 1101	ISO 1101	ISO 1101	ISO 1101	ISO 1101	ISO 1101	ISO 1101
surface	linear	0.1 ±0.5 0.25 ±0.25 0.1 ±0.10	angular	0° ±2°	Amphenol FCI R/A REC 4P+16S HIGH POWER CARD EDGE		10123844	rev	B
ISO 1302	angular	0° ±2°	Product - Customer Draw		sheet 2 of 4				

PDS: Rev :B

STATUS: Released

Printed: May 24, 2016

Amphenol FCI © 2018 FCI



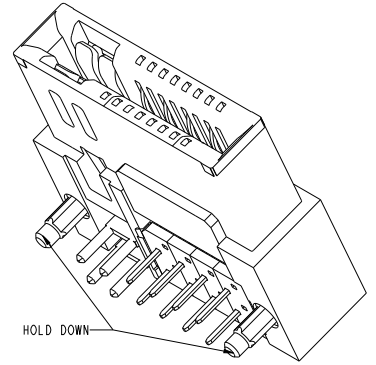
**RECOMMENDED MATING BOARD
FOOT PRINT**

spec. ref.	-	dr.	ISO 10303	projection	MM	size	A2	scale	4:1
tolerance	ISO 1101	ISO 1101	ISO 1101	ISO 1101	ISO 1101	ISO 1101	ISO 1101	ISO 1101	ISO 1101
TOLERANCES UNLESS OTHERWISE SPECIFIED		ISO 1101	ISO 1101	ISO 1101	ISO 1101	ISO 1101	ISO 1101	ISO 1101	ISO 1101
surface	linear	0.1	±0.5	0.25	±0.25	0.25	±0.10	0.25	±0.25
ISO 1302	angular	0°	±2°	0°	±2°	0°	±2°	0°	±2°
FCI		R/A REC 4P+16S		HIGH POWER CARD EDGE		10123844		B	
PDS: Rev: B		STATUS: Released		Printed: May 24, 2016		Product - Customer Draw		sheet 3 of 4	

Amphenol FCI

© 2018 FCI

PART NUMBER	TAIL TYPE	HOLD-DOWN OPTION	DIM "A" TAIL LENGTH
10123844-001LF	SOLDER TAIL	YES	3.25±0.25
10123844-002LF		NO	
10123844-003LF		YES	2.60±0.25
10123844-004LF		NO	



NOTES:

- CONNECTOR MATERIALS:
 HOUSING: HIGH TEMPERATURE THERMAL PLASTIC, BLACK
 UL 94V-0 COMPLIANT
 CONTACTS: HIGH PERFORMANCE COPPER ALLOY.
- CONTACT FINISH REF. GS-12-604 SECTION 5.2.
- PRODUCT SPECIFICATION: GS-12-604.
- APPLICATION SPECIFICATION: GS-20-128.
- PRODUCT MARKING ON HOUSING IN AREA SHOWN MEETS AFCI SPECIFICATION: GS-24-007.
- PACKAGING MEETS FCI SPECIFICATION GS-14-937.
- HOUSING COMPONENT WILL WITHSTAND EXPOSURE TO 260°C PEAK TEMPERATURE FOR 60 SECONDS IN A CONVECTION, INFRA-RED, OR VAPOR PHASE REFLOW OVEN.
- COPPER PLATING THICKNESS IN CENTER OF VIA-HOLE CAN BE NO MORE THAN 0.003 LESS THAN OTHER AREAS.
- ALL HOLE SIZES ARE FINISHED HOLE SIZES.
- MOUNTING HOLES ARE UNPLATED
 $\varnothing 2.18 \pm 0.03$ FOR SOLDER TAILS
- A SYMBOL WILL BE NEXT TO ANY DIMENSION, VIEW, OR NOTE WHICH HAS BEEN MODIFIED WITH THE CURRENT DRAWING REVISION.

spec. ref.	-	dr.	10123844	projection	MM	size	A2	scale	4:1
tolerance std	TOLERANCES UNLESS OTHERWISE SPECIFIED	eng	10123844	product family		acc. no.	10123844	rel. level	Released
ISO 406		chr	10123844						
ISO 1101		appr	10123844						
surface	linear	0.1	±0.5	Amphenol FCI		R/A REC 4P+16S		10123844	
		0.2X	±0.25			HIGH POWER CARD EDGE		B	
	angular	0°	±2°			Product - Customer Draw		sheet 4 of 4	

PDS: Rev: B

STATUS: Released

Printed: May 24, 2016

© 2018 AFCI