

Excellent Integrated System Limited

Stocking Distributor

Click to view price, real time Inventory, Delivery & Lifecycle Information:

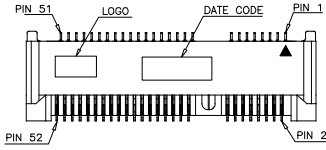
[FCI](#)

[10123914-A20LF](#)

For any questions, you can email us directly:

sales@integrated-circuit.com

PRODUCT NUMBER
 10123914-XXXLF



MATERIAL

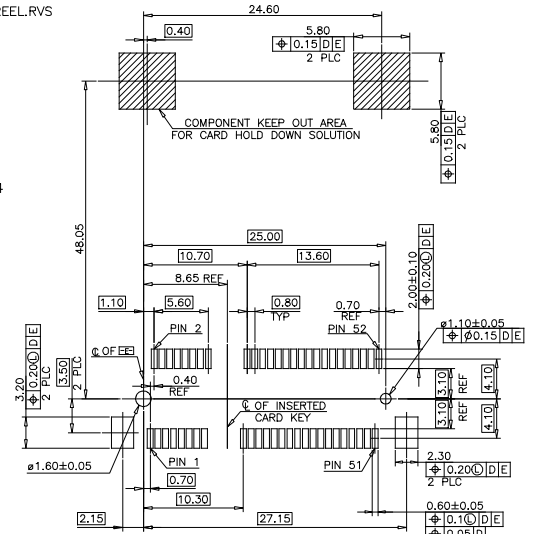
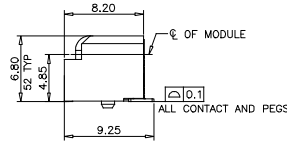
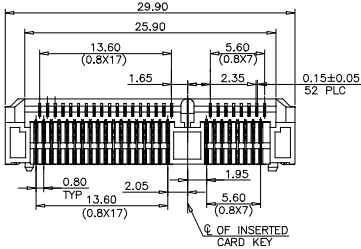
HOUSING : THERMO PLASTIC UL94V-0 BLACK
 CONTACT : COPPER ALLOY
 PEG : COPPER ALLOY

PART NO. SCHEMATIC: 10123914 - XX X LF

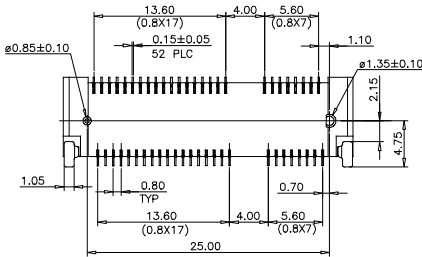
- TERMINAL PLATING _____ PACKING _____
 00: NO PLATING _____ 0: TAPE&REEL.STD
 G2: GOLD FLASH 1~3μ^m OVER Ni 50~100μ^m 1: TAPE&REEL.RVS
 A2: CONTACT AREA AND SOLDER AREA :
 SELECTION GOLD 1μ^m OVER Ni 50~100μ^m
 A7: CONTACT AND SOLDER TAIL AREA GOLD PLATING
 10μ^m MIN OVER Ni 50~100μ^m
 G7: GOLD FLASH 10μ^m OVER Ni 50~100μ^m min

PRODUCT SPEC.: GS-12-1111
 PACKAGE SPEC.: GS-14-22B4
 THIS PRODUCT MEETS EUROPEAN UNION DIRECTIVES AND
 OTHER COUNTRY REGULATIONS AS DESCRIBED IN GS-47-0004

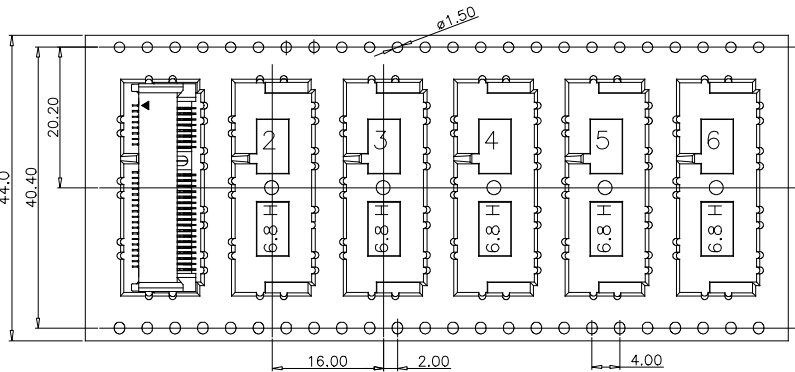
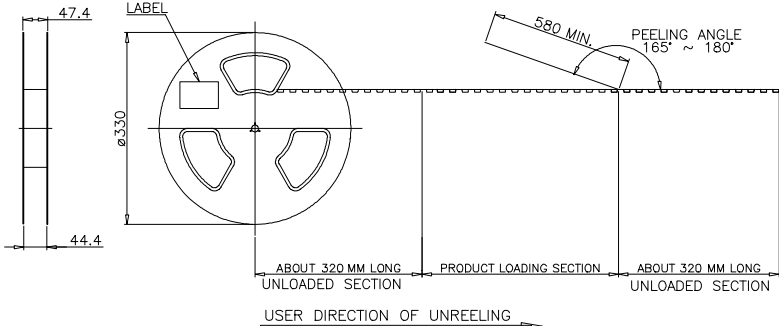
THE HOUSING WILL WITHSTAND EXPOSURE TO 260°C PEAK
 TEMPERATURE FOR 10 SECONDS IN A CONVECTION, IR OR
 VAPER PHASE REFLOW OVEN.



[-D-] IS THE TOP SURFACE OF PCB.
 RECOMMENDED P.C.BOARD PATTERN LAYOUT

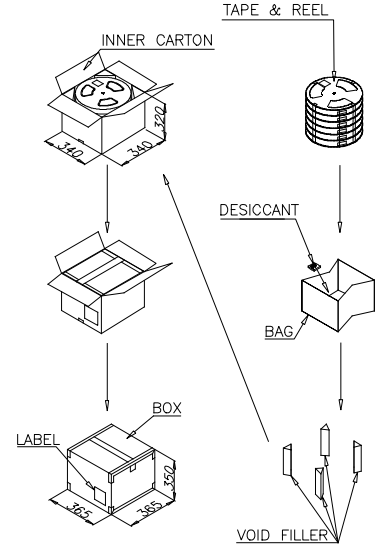


mat'l. code		surface	tolerance	projection	product family
ltr	ecn no	dr	date	tolerances unless otherwise specified	title
A		TAI	2013-02-20	ASME Y14.5	0.80MM PITCH MINI PCI EXPRESS HIGH=6.8mm 52 PIN CONNECTOR
				angles	
				X.X ± 0.30	
				X.XX ± 0.20	
				X.XXX ± 0.15	
				scale	
		dr	KENNY TAI	2013-02-20	dwg no
		enr	KENNY TAI	2013-02-20	sheet 1 of 3
		chr	KENNY TAI	2013-02-20	size
		appd	PM ZHENG	2013-02-25	A4
sheet index	revision sheet	A	A	A	10123914
		1	2	3	CUSTOMER Drawing

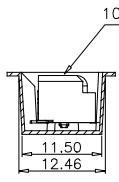


NOTES:

- MATERIAL:**
 BOX: FIBREBOARD, CORRUGATED, DOUBLE WALL.
 COVER TAPE: PET, 120°C HEAT-RESISTANT TEMPERATURE, TRANSPARENT COLOR.
 CARRIER TAPE: POLYSTYRENES, 120°C HEAT-RESISTANT TEMPERATURE, TRANSPARENT COLOR.
 REEL: HIPS, 70°C HEAT-RESISTANT TEMPERATURE, BLUE COLOR.
 BAG: POLYETHYLENES, 100°C HEAT-RESISTANT TEMPERATURE, TRANSPARENT COLOR.
- EACH BAG SHALL BE INCLUDED DESICCANT.
- PEELING STRENGTH: 0.1 ~ 1.3 N (10 ~ 130 GRAMS).
- PEELING SPEED: 300 mm/min.



STANDARD TAPE & REEL
 (FOR -XXOLF)



10.47KG	5.75KG	450	6	2700
GROSS WEIGHT	NET WEIGHT	PCS/ REEL	REEL/ BOX	PCS/ BOX

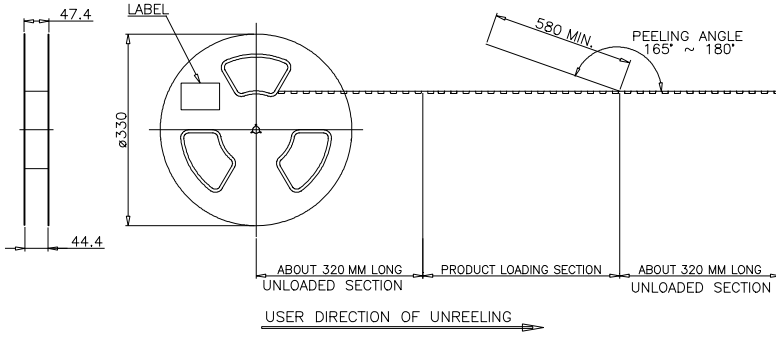
mat'l. code		surface		tolerance		projection		product family	
itr ecn no dr date		tolerances unless otherwise specified		ASME Y14.5		MM		title	
A	TAI	2013-02-20	angles	X.X ± 0.30		←		0.80MM PITCH MINI PCI EXPRESS HIGH=6.8mm 52 PIN CONNECTOR	
			line	X.XX ± 0.20		scale		dwg no	
			X±4'	X.XXX ± 0.15		FCI		10123914	
	dr	KENNY TAI	2013-02-20					sheet 2 of 3	
	enrg	KENNY TAI	2013-02-20					size A4	
	chr	KENNY TAI	2013-02-20					type	
	appd	PM ZHENG	2013-02-25					CUSTOMER Drawing	
sheet index	revision sheet	A 1	A 2	A 3					

form: A4mmXlc

PDS: Rev :A 3

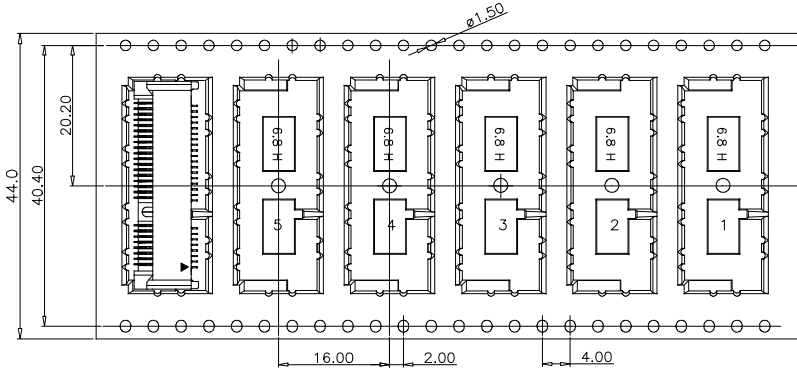
STATUS:Released

Printed: Feb 25,2013

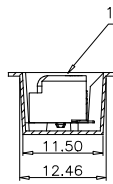


NOTES:

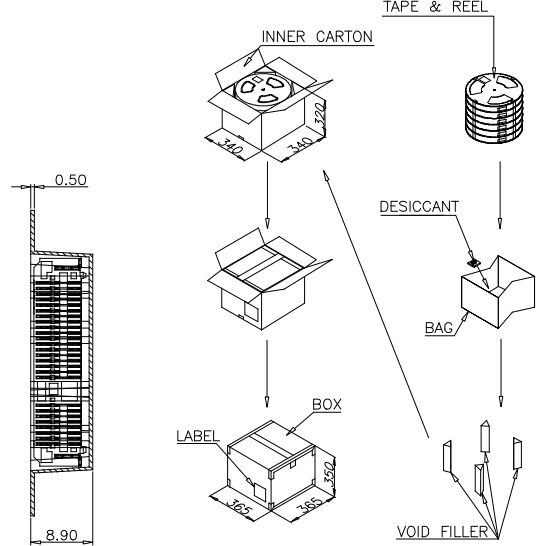
1. MATERIAL:
BOX: FIBREBOARD, CORRUGATED, DOUBLE WALL.
COVER TAPE: PET, 120°C HEAT-RESISTANT TEMPERATURE, TRANSPARENT COLOR.
CARRIER TAPE: POLYSTYRENES, 120°C HEAT-RESISTANT TEMPERATURE, TRANSPARENT COLOR.
REEL: HIPS, 70°C HEAT-RESISTANT TEMPERATURE, BLUE COLOR.
BAG: POLYETHYLENES, 100°C HEAT-RESISTANT TEMPERATURE, TRANSPARENT COLOR.
2. EACH BAG SHALL BE INCLUDED DESICCANT.
3. PEELING STRENGTH: 0.1 ~ 1.3 N (10 ~ 130 GRAMS).
4. PEELING SPEED: 300 mm/min.



REVERSE TAPE & REEL
(FOR -XX1LF)



10.47KG	5.75KG	450	6	2700
GROSS WEIGHT	NET WEIGHT	PCS/ REEL	REEL/ BOX	PCS/ BOX



mat'l. code		surface		tolerance ASME Y14.5		projection		product family	
ltr	ecn no	dr	date	tolerances unless otherwise specified		MM		title	
A		TAI	2013-02-20	angles	X.X ± 0.30	←		0.80MM PITCH MINI PCI EXPRESS HIGH=6.8mm 52 PIN CONNECTOR	
				line	X.XX ± 0.20	scale		dwg no	
				X*±4°	X.XXX ± 0.15			10123914	
		dr	KENNY TAI	2013-02-20				sheet 3 of 3	
		enr	KENNY TAI	2013-02-20				size	
		chr	KENNY TAI	2013-02-20				A4	
		appd	PM ZHENG	2013-02-25				type	
								CUSTOMER Drawing	
sheet index	revision sheet	A	A	A					
	1	2	3						