

Excellent Integrated System Limited

Stocking Distributor

Click to view price, real time Inventory, Delivery & Lifecycle Information:

[FCI](#)

[10123921-A20LF](#)

For any questions, you can email us directly:

sales@integrated-circuit.com

PRODUCT NUMBER

10123921-XXXLF

MATERIAL

HOUSING : THERMO PLASTIC UL94V-0 BLACK
 CONTACT : COPPER ALLOY
 PEG : COPPER ALLOY

PART NO. SCHEMATIC: 10123921 - XX X LF

TERMINAL PLATING

00: NO PLATING
 G2: GOLD FLASH 1~3 μ m OVER NI 50~100 μ m
 A2: CONTACT AREA AND SOLDER AREA :
 SELECTION GOLD 1 μ m OVER NI 50~100 μ m
 A7: CONTACT AND SOLDER TAIL AREA GOLD PLATING
 10 μ m MIN OVER NI 50~100 μ m
 S7: CONTACT AREA GOLD PLATING
 10 μ m MIN AND SOLDER TAIL PLATING 1 μ m MIN
 OVER NI 50~100 μ m

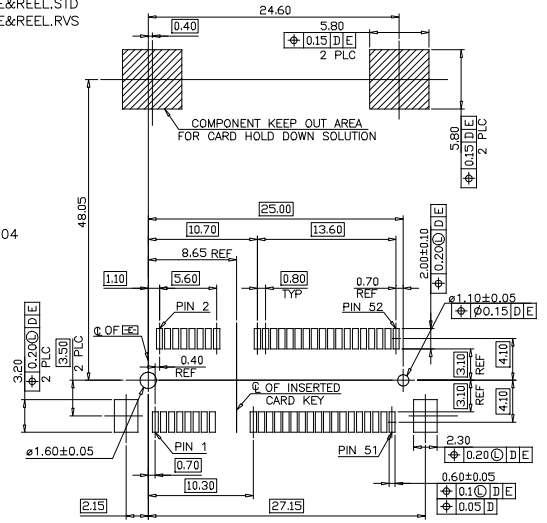
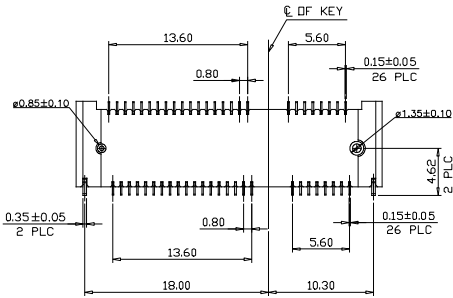
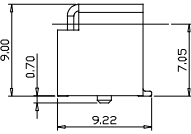
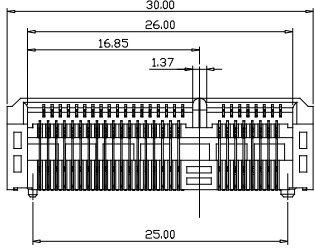
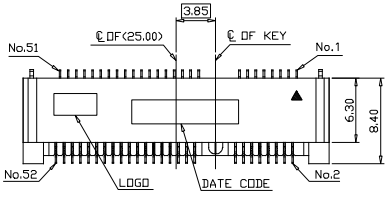
PACKING

0: TAPE&REEL.STD
 1: TAPE&REEL.RVS

PRODUCT SPEC.: GS-12-1111

PACKAGE SPEC.: GS-14-2284

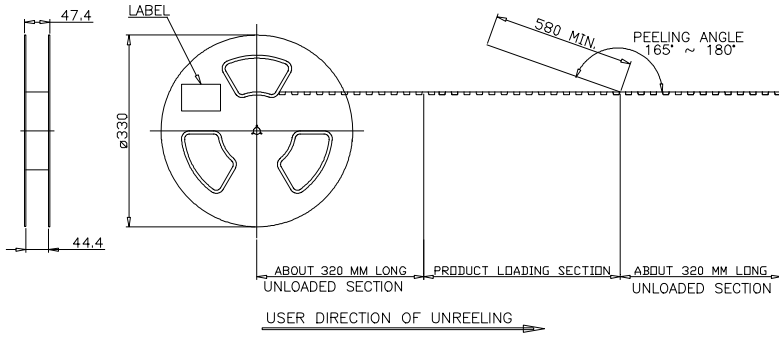
THIS PRODUCT MEETS EUROPEAN UNION DIRECTIVES AND
 OTHER COUNTRY REGULATIONS AS DESCRIBED IN GS-47-0004
 THE HOUSING WILL WITHSTAND EXPOSURE TO 260°C PEAK
 TEMPERATURE FOR 10 SECONDS IN A CONVECTION, IR OR
 VAPOR PHASE REFLOW OVEN.



-D- IS THE TOP SURFACE OF PCB
 RECOMMENDED P.C. BOARD PATTERN LAYOUT

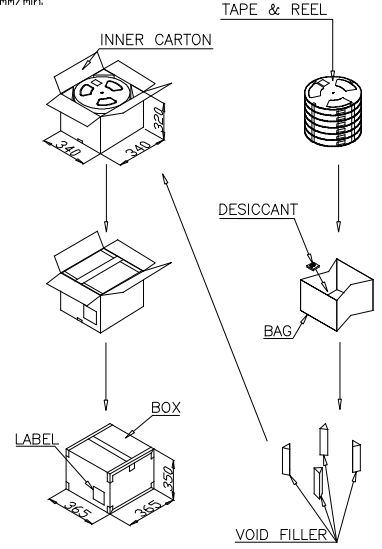
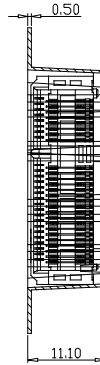
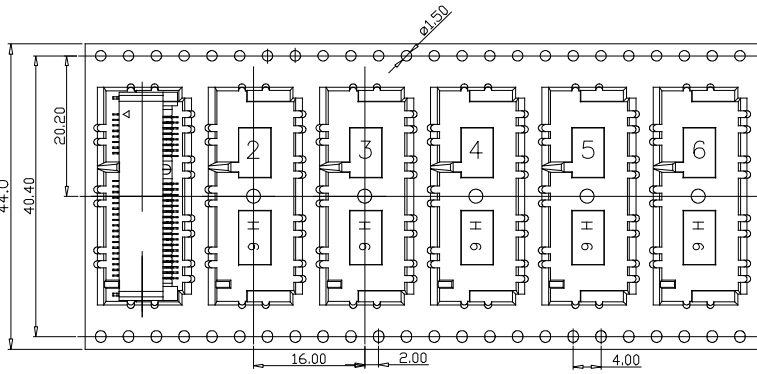
mat'l. code		surface	tolerance	projection	product family
ltr ecn no dr date		tolerances unless otherwise specified		MM	title
A	TAI	2013-01-30	X.X ± 0.30		
angles		X'±4'	X.XX ± 0.20	scale	0.80MM PITCH MINI PCI EXPRESS HIGH=9.0mm 52 PIN CONNECTOR
dr		KENNY TAI	2013-01-30		
enrg		KENNY TAI	2013-01-30	FCI	dwg no sheet 1 of 3 size
chr		KENNY TAI	2013-01-30		
appd		PM ZHENG	2013-01-30	10123921	A4
sheet index		revision sheet	A A A 1 2 3	type	CUSTOMER Drawing

form: A4mmXlc

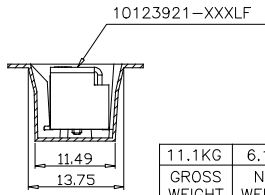


NOTES:

1. MATERIAL:
BOX: FIBREBOARD, CORRUGATED, DOUBLE WALL.
COVER TAPE: PET, 120C° HEAT-RESISTANT TEMPERATURE, TRANSPARENT COLOR.
CARRIER TAPE: POLYSTYRENE, 120C° HEAT-RESISTANT TEMPERATURE, TRANSPARENT COLOR.
REEL: HIPS, 70C° HEAT-RESISTANT TEMPERATURE, BLUE COLOR.
BAG: POLYETHYLENE, 100C° HEAT-RESISTANT TEMPERATURE, TRANSPARENT COLOR.
2. EACH BAG SHALL BE INCLUDED DESICCANT.
3. PEELING STRENGTH: 0.1 ~ 1.3 N (10 ~ 130 GRAMS).
4. PEELING SPEED: 300 mm/min.



STANDARD TAPE & REEL
(FOR -XXOLF)



11.1KG	6.1KG	350	6	2100
GROSS WEIGHT	NET WEIGHT	PCS/ REEL	REEL/ BOX	PCS/ BOX

mat'l. code	surface	tolerance	projection	product family
ltr	ecn	no	dr	date
A	TAI	2013-01-30		
tolerances unless otherwise specified		title		
angle	X.X ± 0.30	0.80MM PITCH MINI PCI EXPRESS HIGH=9.0mm 52 PIN CONNECTOR		
line	X.XX ± 0.20	MM		
X±4°	X.XXX ± 0.15	scale		
dr	KENNY TAI	2013-01-30	sheet 2 of 3	
enr	KENNY TAI	2013-01-30	size	
chr	KENNY TAI	2013-01-30	A4	
appd	PM ZHENG	2013-01-30	type	
sheet index	revision sheet	A 1	A 2	A 3

form: A4mmXlc

1 |

2 |

PDS: Rev :A 3

STATUS:Released

Printed: Feb 19,2013

