

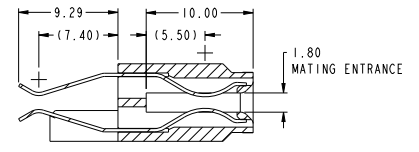
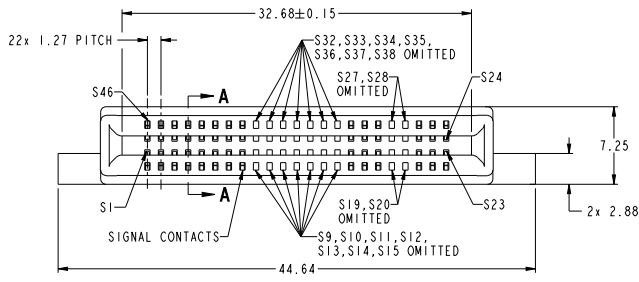
## Excellent Integrated System Limited

Stocking Distributor

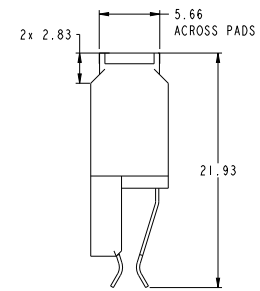
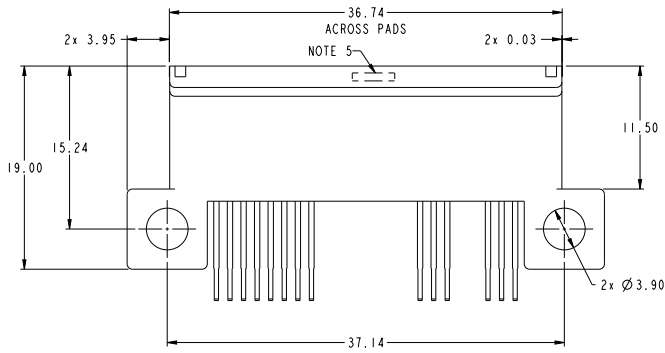
Click to view price, real time Inventory, Delivery & Lifecycle Information:

[FCI](#)  
[10128286-001LF](#)

For any questions, you can email us directly:  
[sales@integrated-circuit.com](mailto:sales@integrated-circuit.com)



SECTION A-A



spec ref	-	dr	John Wang	approval	approved	projection	MM	size	A2	scale	4:1
tolerance std	ISO 406	eng	John Wang	approval	approved	product family	CARD EDGE	rel level	Released	rev	B
	TOLERANCES UNLESS OTHERWISE SPECIFIED	chr	John Wang	approval	approved						
		appr	John Wang	approval	approved						
surface	linear	0.1	±0.5	Amphenol FCI		SMT ENHANCED WALLS		10128286			
		0.25	±0.25	FCI		46S (18S OMITTED) SPECIAL					
		0.13	±0.10	SMT							
	angular	0°	±2°	SMT							
ISO 1302				SMT							

PDS: Rev: B

STATUS: Released

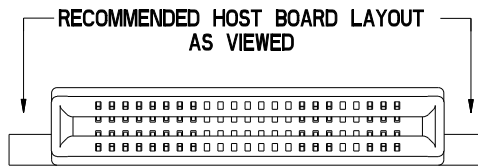
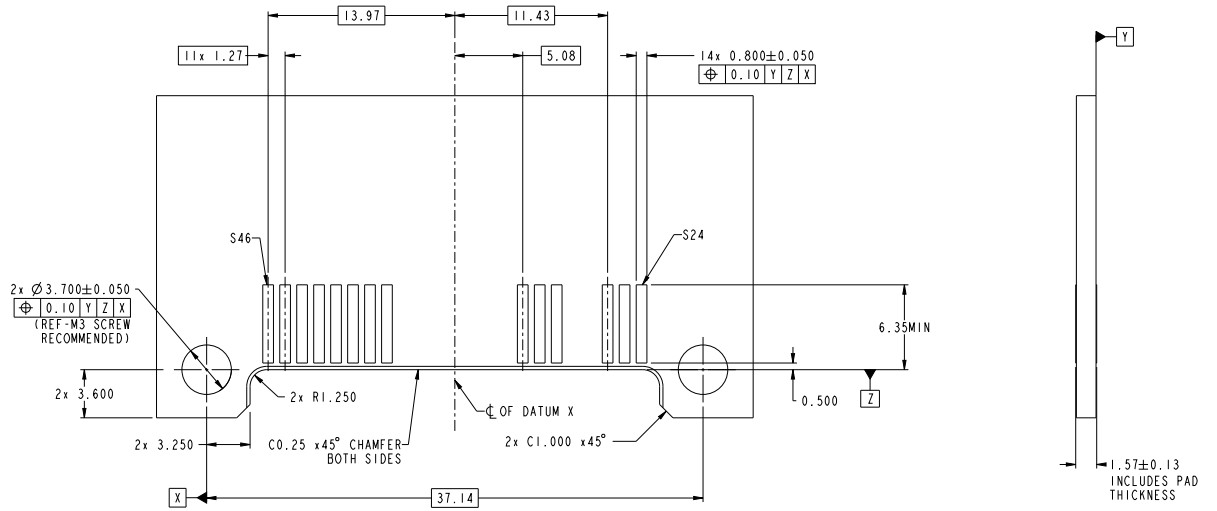
Printed: May 24, 2016

2

3

4

5



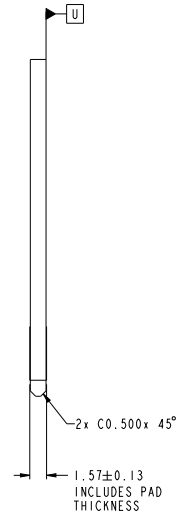
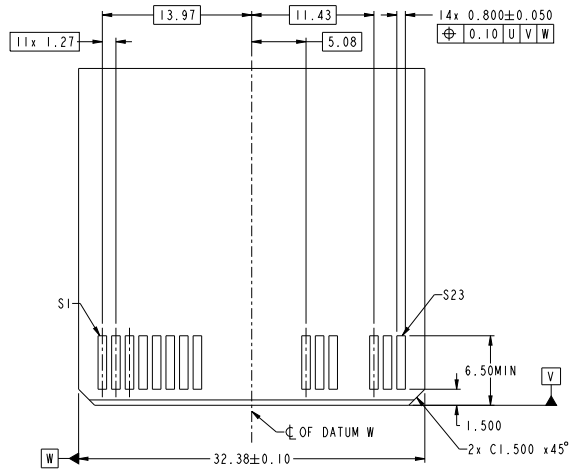
spec ref	-	dr	John Wang	date	20161109	projection	MM	size	A2	scale	1:1
tolerance std	ISO 406	eng	John Wang	checked	John Wang	product family	CARD EDGE	acc no	10128286	rel level	Released
TOLERANCES UNLESS OTHERWISE SPECIFIED		chr	John Wang	approved	John Wang						
surface	linear	0.1	±0.5	<b>Amphenol FCI</b> SMT ENHANCED WALLS 46S (18S OMITTED) SPECIAL Product - Customer Draw sheet 2 of 4							
	angular	0.1XX	±0.25								
ISO 1302		0.1XX	±0.10								
		0°	±2°								

PDS: Rev: B

STATUS: Released

Printed: May 24, 2016

© 2018 Amphenol FCI



**RECOMMENDED MATING BOARD FOOTPRINT**

spec. ref.	-	dr.	John Wang	approval	projection	MM	size	A2	scale	4:1
tolerance std.	ISO 406	eng.	John Wang	approval	product family		acc. no.	10128286	rel. level	Released
	TOLERANCES UNLESS OTHERWISE SPECIFIED	chr.	John Wang	approval						
		appr.	John Wang	approval						
surface	linear	0.1	±0.5	Amphenol FCI	SMT ENHANCED WALLS		10128286	B	Product - Customer Draw	
		0.25	±0.25		46S (18S OMITTED) SPECIAL					
	angular	0.25	±0.10							
		0.25	±0.25	cat. no.					sheet 3 of 4	

PDS: Rev: B

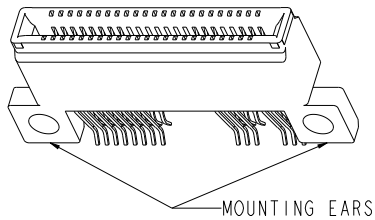
STATUS: Released

Printed: May 24, 2016

Amphenol FCI

© 2018 FCI

PART NUMBER	MOUNTING EARS
10128286-001LF	YES
10128286-002LF	NO



Example: 10128286-001LF

NOTES:

- CONNECTOR MATERIALS:  
 HOUSING: HIGH TEMPERATURE THERMAL PLASTIC, BLACK  
 UL 94V-0 COMPLIANT  
 CONTACTS: HIGH PERFORMANCE COPPER ALLOY.
- CONTACT FINISH REF. GS-12-604 SECTION 5.2.
- PRODUCT SPECIFICATION: GS-12-604.
- APPLICATION SPECIFICATION: GS-20-128.
- PRODUCT MARKING ON HOUSING IN AREA SHOWN MEETS AFCI SPECIFICATION: GS-24-007.
- PACKAGING MEETS FCI SPECIFICATION GS-14-937.
- HOUSING COMPONENT WILL WITHSTAND EXPOSURE TO 260°C PEAK TEMPERATURE FOR 60 SECONDS IN A CONVECTION, INFRA-RED, OR VAPOR PHASE REFLOW OVEN.
- A SYMBOL  $\triangle$  WILL BE NEXT TO ANY DIMENSION, VIEW, OR NOTE WHICH HAS BEEN MODIFIED WITH THE CURRENT DRAWING REVISION.

spec ref	-	dr	John Wang	date	20160510	projection	MM	size	A2	scale	1:1
tolerance std	ISO 406	chg	John Wang	approval		product family	CARD EDGE	rel level	Released		
surface	linear	0.X	±0.5	Amphenol FCI	SMT ENHANCED WALLS	46S (18S OMITTED) SPECIAL	10128286	rev	B		
		0.XX	±0.25								
	angular	0.XX	±0.10								
		0.XX	±2°								

PDS: Rev: B

STATUS: Released

Printed: May 24, 2016

© 2018 AFCI