

Excellent Integrated System Limited

Stocking Distributor

Click to view price, real time Inventory, Delivery & Lifecycle Information:

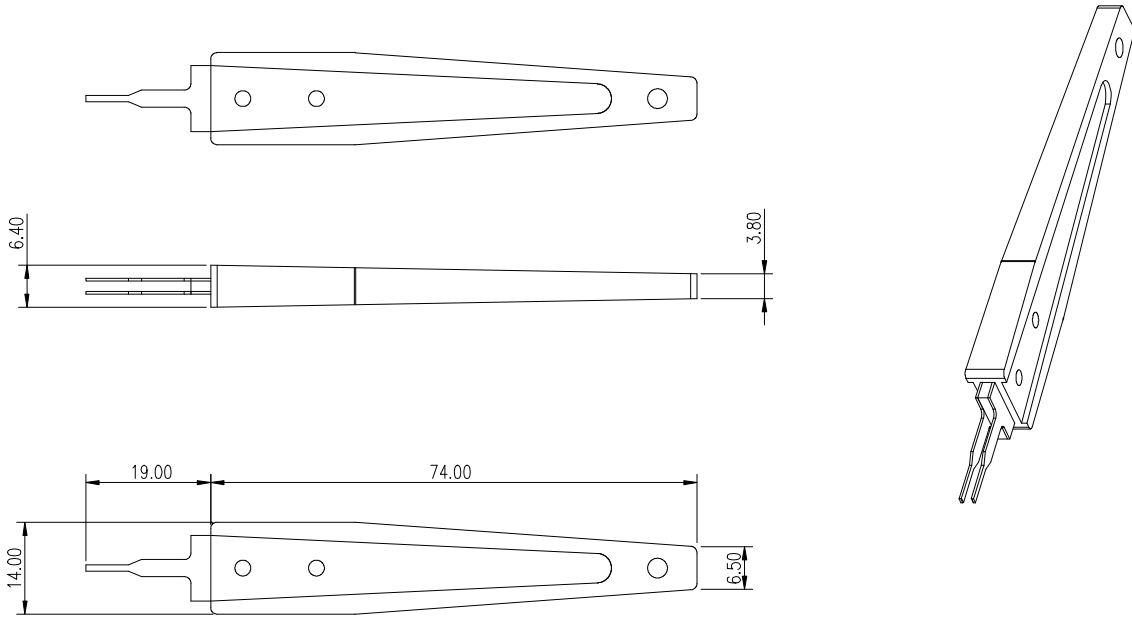
[FCI](#)

[10129274-030LF](#)

For any questions, you can email us directly:

sales@integrated-circuit.com

PRODUCT NUMBER	APPLICABLE P/N	APPLICABLE TERMINAL
10129274-042LF	10127817, 10127818	MINITEK PWR4.2



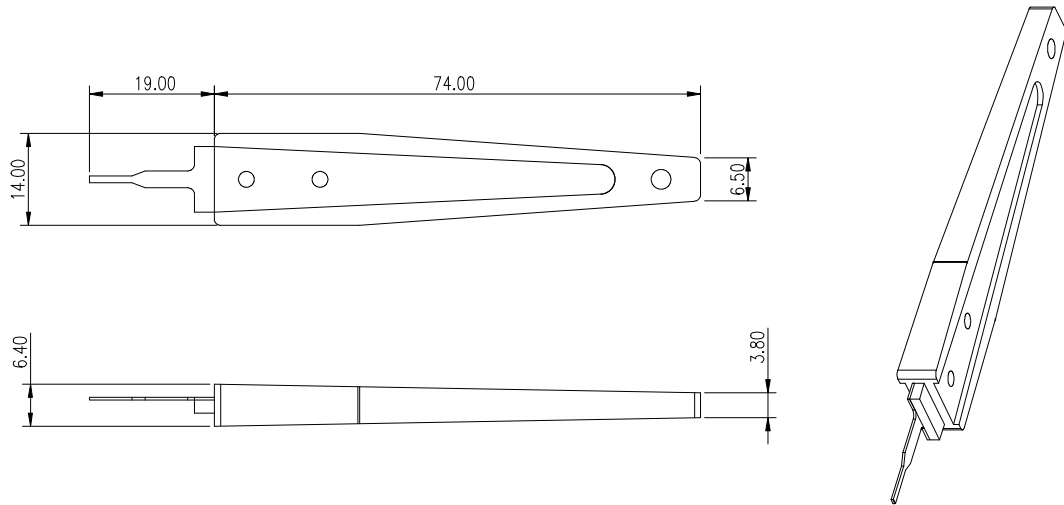
NOTE:

1. MATERIAL:

HANDLE: HIGH TEMP. THERMOPLASTIC, UL94V-0, BLACK
 TINES: STEEL

mat'l. code		surface	tolerance	projection	product family
ltr	ecn no	dr	date	tolerances unless otherwise specified	MINITEK PWR4.2 & 3.0
A		TAI	2014-04-23	X.XX ±0.15	title
				angles	TERMINAL REMOVAL TOOL
				X'±1'	
				in/out	
				scale	MM
					FCI
					dwg no
					10129274
					sheet 1 of 2
					size
					A4
					type
					CUSTOMER Drawing
sheet index	revision sheet	A	A		
		1	2		

PRODUCT NUMBER	APPLICABLE P/N	APPLICABLE TERMINAL
10129274-030LF	10127718, 10127719	MINITEK PWR3.0



NOTE:

1. MATERIAL:

HANDLE: HIGH TEMP. THERMOPLASTIC, UL94V-0, BLACK

TINES: STEEL

mat'l. code		surface	tolerance	projection	product family
ltr	ecn no	dr	date	tolerances unless otherwise specified	MINITEK PWR4.2 & 3.0
				angles	title
				X.XX ±0.15	TERMINAL REMOVAL TOOL
				in/out	
				X'±1'	
				scale	
		dr	KENNY TAI	2014-03-03	dwg no
		enr	KENNY TAI	2014-03-03	sheet 2 of 2
		chr	KENNY TAI	2014-03-03	10129274
		appd	PM ZHENG	2014-04-23	A4
sheet index	revision sheet	A	A		type
	1	2			CUSTOMER Drawing