

## Excellent Integrated System Limited

Stocking Distributor

Click to view price, real time Inventory, Delivery & Lifecycle Information:

[FCI](#)

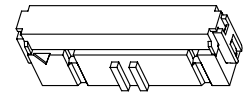
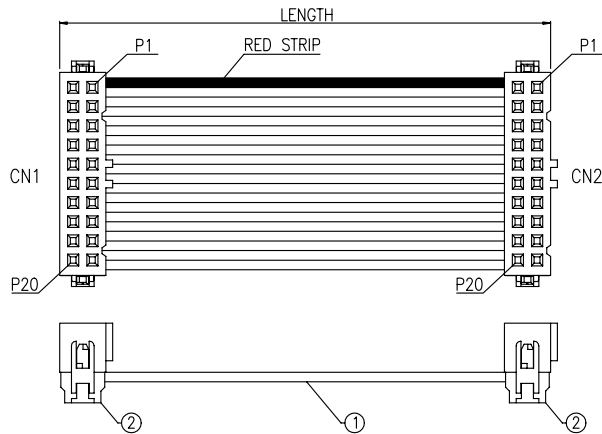
[10129388-P0007YYLF](#)

For any questions, you can email us directly:

[sales@integrated-circuit.com](mailto:sales@integrated-circuit.com)

FCI PART NO.	LENGTH
10129388-P0007YYLF	65±2

WIRING LIST	
CN1	CN2
1	1
2	2
3	3
⋮	⋮
18	18
19	19
20	20



**NOTES:**

- MATERIAL: SEE BOM ON SHEET 1.
- THIS DIMENSION IS A FINISHED PRODUCT LENGTH.
- ALL CABLE ASSEMBLIES SHALL BE TESTED 100% FOR CONTINUITY AS DEFINED IN WIRING LIST.
- UNLESS OTHERWISE SPECIFIED ALL CABLE ASSEMBLIES SHALL BE TESTED:  
HI-POT: DC 300V/10ms  
DIELECTRIC RESISTANCE: 10M Ohms MIN.  
CONNECTION RESISTANCE: 3 Ohms MAX.
- LEAD FREE PRODUCTS MEET EUROPEAN UNION DIRECTIVES AND OTHER COUNTRY REGULATIONS AS DESCRIBED IN GS-22-008.

2	EA	IDC CONN: 2.54PITCH 2*10PIN, 0.76um Au, WITH CENTRAL KEY AND WITHOUT STRAIN RELIEF, FCI P/N:71600-120LF	2
A/R	M	FLAT CABLE: 1.27PITCH 28AWG*20C, UL2651, COLOR:GRAY	1
Q'TY	UNIT	DESCRIPTION	ITEM

spec ref	See Notes	dr	Carl Wang	2014-12-30	projection	MM	size	A3	scale	N/A
tolerance std	TOLERANCES UNLESS OTHERWISE SPECIFIED	eng	Carl Wang	2014-12-30			ecn no	rel level		rev
surface	linear	0.X	±							
		chr	Guo-Feng Jin	2014-12-30	product family					
		appr	Guo-Feng Jin	2014-12-30						
	angular	0'	±*	www.Fci.com	cat. no.	Product - Customer Drw	sheet 1 of 1			

FCI 10129388

1

2

3

PDS: Rev :A

STATUS: Released

Printed: Dec 30, 2014