

Excellent Integrated System Limited

Stocking Distributor

Click to view price, real time Inventory, Delivery & Lifecycle Information:

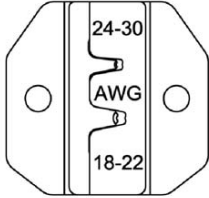
[FCI](#)

[10129483-001LF](#)

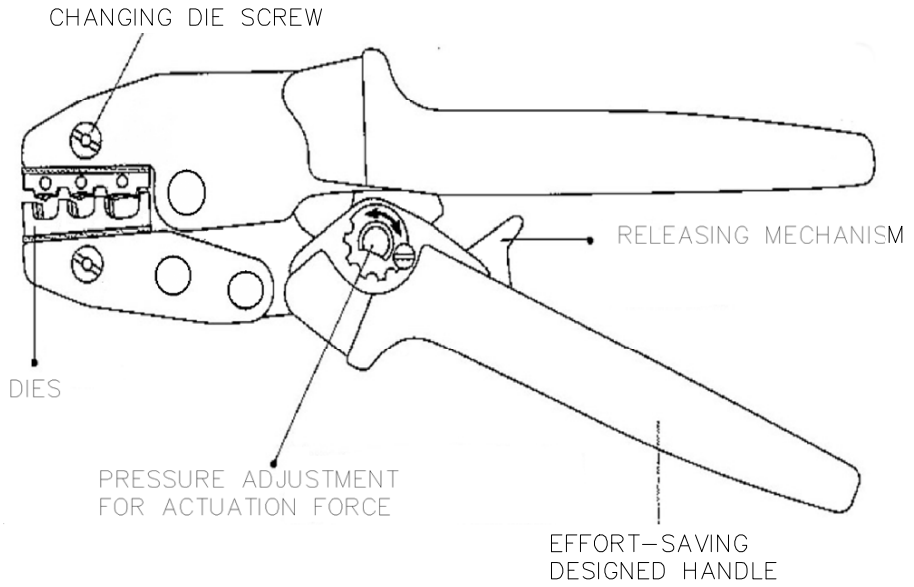
For any questions, you can email us directly:

sales@integrated-circuit.com

PRODUCT NUMBER
 10129483-001LF



DIE USED FOR
 AWG 18~30 WIRES



NOTE:
 1. LENGTH 225mm.
 2. CHANGABLE DIE FOR DIFFERENT APPLICATION.

mat'l. code		surface	tolerance	projection	product family
ltr	ecm no	dr	date	tolerances unless otherwise specified	title
A		TAI	2014-04-23	angles	RATCHED HAND CRIMPING TOOL
				linear	
				X \pm 1°	scale
		dr	KENNY TAI 2014-03-20		MM
		enr	KENNY TAI 2014-03-20		scale
		chr	KENNY TAI 2014-03-20		scale
		appd	PM ZHENG 2014-04-23		scale
sheet index	revision sheet	A	1		type
					CUSTOMER Drawing