

Excellent Integrated System Limited

Stocking Distributor

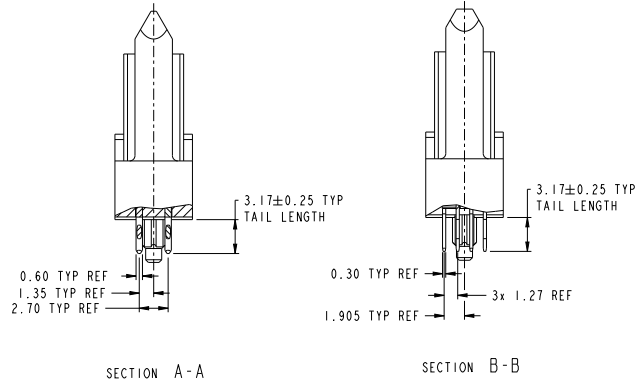
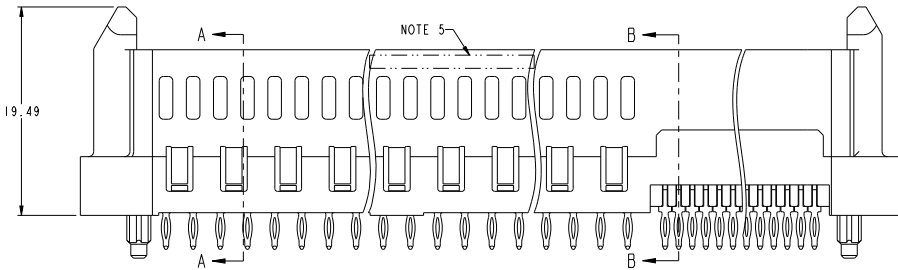
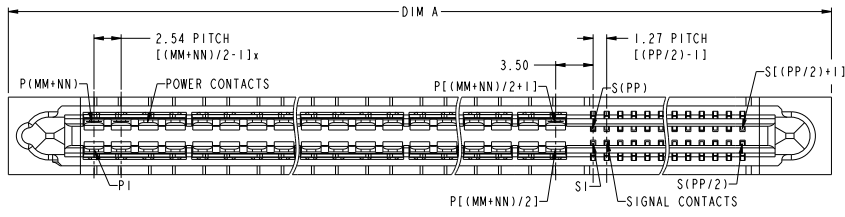
Click to view price, real time Inventory, Delivery & Lifecycle Information:

[FCI](#)

[10130836-000820BLF](#)

For any questions, you can email us directly:

sales@integrated-circuit.com



spec. ref.	dr.	proj.	MM	size	A2	scale	A:1
reference 514	eng.	desig.		acc. no.			
ISO 406	chr.	desig.		product family	HPCE BTB	rel. level	Released
ISO 1101	oppr.	desig.					
TOLERANCES UNLESS OTHERWISE SPECIFIED		FCI		VT RECPT WITH GUIDE POST		10125023	
surface	linear	0.1	±0.5	CONFIG. P+S - UNIVERSAL DRAWING		rev	
	angular	0.25	±0.25			A	
ISO 1302		0.25	±0.10				
		±2					
		www.fci.com		Product - Customer Draw		sheet 1 of 3	

PDS: Rev: A

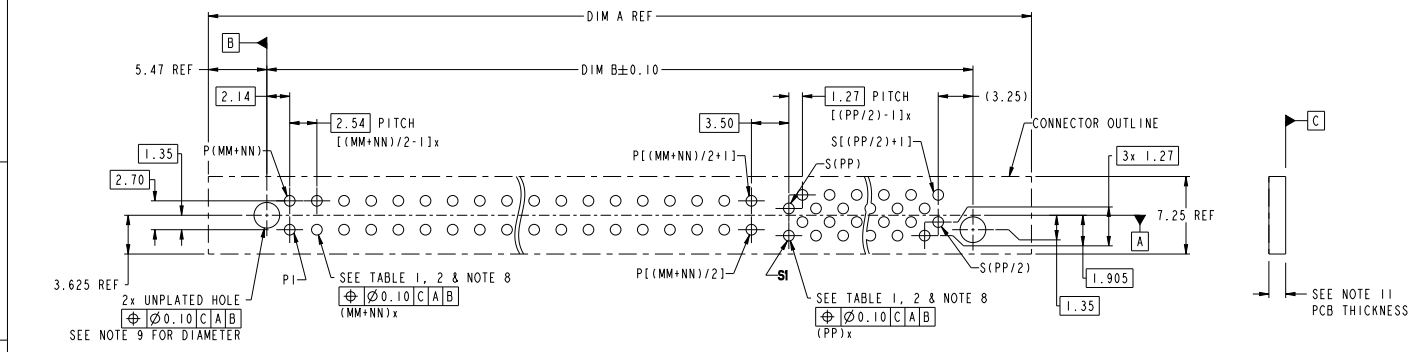
STATUS: Released

Printed: Oct 20, 2014

Copyright FCI.

CONTACT TYPE	TOP LAYER DESCRIPTION	TABLE 1 (HPCE / SOLDER TAILS) PLATED THROUGH-HOLE REQUIREMENTS				
		DRILLED HOLE DIAMETER	COPPER THICKNESS	TIN-LEAD THICKNESS	TIN THICKNESS	FINISHED HOLE DIAMETER
POWER & SIGNAL	TIN-LEAD	1.10-1.16 (1.15 DRILL)	0.025 - 0.050	0.005 - 0.015	--	0.94 - 1.10
	IMMERSION TIN	1.10-1.16 (1.15 DRILL)	0.025 - 0.050	--	0.9 - 1.5um	0.94 - 1.10
	COPPER (SEE NOTE 8)	1.10-1.16 (1.15 DRILL)	0.025 - 0.050	--	--	0.94 - 1.10

CONTACT TYPE	TOP LAYER DESCRIPTION	TABLE 2 (HPCE / PRESS-FIT TAILS) PLATED THROUGH-HOLE REQUIREMENTS				
		DRILLED HOLE DIAMETER	COPPER THICKNESS	TIN-LEAD THICKNESS	TIN THICKNESS	FINISHED HOLE DIAMETER
POWER & SIGNAL	TIN-LEAD	0.81-0.86 (0.85 DRILL)	0.025 - 0.050	0.005 - 0.015	--	0.65 - 0.80
	IMMERSION TIN	0.81-0.86 (0.85 DRILL)	0.025 - 0.050	--	0.9 - 1.5um	0.70 - 0.80
	COPPER (SEE NOTE 8)	0.81-0.86 (0.85 DRILL)	0.025 - 0.050	--	--	0.70 - 0.80



dr: Wei-Liang Guo	designed: Jian-Hong Chen	projection:	MM	size: A2	scale: 1:1
eng: Wei-Liang Guo	checked: Jian-Hong Chen	product family: HPCE BTB	rel level: Released	acc no:	rev: A
oppr: Wei-Liang Guo	approved: Jian-Hong Chen	VT RECPT WITH GUIDE POST CONFIG. P+S - UNIVERSAL DRAWING			
www.fci.com cat. no.		Product - Customer Draw		sheet 2 of 3	

PDS: Rev: A

STATUS: Released

Printed: Oct 20, 2014

Copyright FCI

DIM	TABLE 3. LENGTH FORMULAS
DIM A (3)	$(MM + NN) / 2 \times 2.54 + (PP / 2) \times 1.27 + 16.02$
DIM B	DIM A - 10.94

10130836 - MM NN PP - LF

LEAD FREE

TAIL TYPE	A	B
NOTE 11	STB	PF

4 BEAM POWER CONTACT (NEXT TO LEFT END) 2 BEAM POWER CONTACT (NEXT TO SIGNAL) SIGNAL CONTACT (NEXT TO RIGHT END)



Example: The configuration above is 10130836-241224BLF
STD HPCE BTB VERT. PRESS-FIT RECEPT. 36P24S.
24P is 4 beam contact, 12P is 2 beam contact.

TABLE 4: PART NUMBER CODE. HPCE BTB STD VERT RECPT P+S CONFIG

NOTES:

- CONNECTOR MATERIALS:
HOUSING: HIGH TEMPERATURE THERMAL PLASTIC, BLACK
 UL 94V-0 COMPLIANT
CONTACTS: HIGH PERFORMANCE COPPER ALLOY.
- CONTACT FINISH REF. GS-12-1125.
- PRODUCT SPECIFICATION: GS-12-1125.
- APPLICATION SPECIFICATION: GS-20-0388.
- PRODUCT MARKING (FCI - PART NUMBER & DATE CODE) ON HOUSING IN AREA SHOWN.
- PACKAGING MEETS FCI SPECIFICATION GS-14-2272.
- COPPER PLATING THICKNESS IN CENTER OF VIA-HOLE CAN BE NO MORE THAN 0.003 LESS THAN OTHER AREAS.
- ALL HOLE SIZES ARE FINISHED HOLE SIZES.
- MOUNTING HOLES ARE UNPLATED:
Ø2.40 +/- 0.10 FOR PRESS-FIT TAILS
Ø2.18 +/- 0.03 FOR SOLDER TAILS
- PRESS FIT APPLICATION TOOL DRAWING: 10125182

- STB: SOLDER TO BOARD, 1.57-2.38mm PCB THICKNESS
PF: PRESS FIT, 1.57mm MINIMUM PCB THICKNESS.
- HOUSING COMPONENT WILL WITHSTAND EXPOSURE TO 260°C PEAK TEMPERATURE FOR 60 SECONDS IN A CONVECTION, INFRA-RED, OR VAPOR PHASE REFLOW OVEN.
- MAXIMUM OVERALL LENGTH IS 100mm.

dr	10130836	projection	MM	size	A2	scale	A:1
eng	10130836	product family	HPCE BTB	rel level	Released	cat. no.	10125023
chf		product family	HPCE BTB	rel level	Released	cat. no.	10125023
oppr	10130836	product family	HPCE BTB	rel level	Released	cat. no.	10125023
www.fci.com	cat. no.	Product	Customer Draw	sheet 3 of 3			

PDS: Rev: A

STATUS: Released

Printed: Oct 20, 2014