

## Excellent Integrated System Limited

Stocking Distributor

Click to view price, real time Inventory, Delivery & Lifecycle Information:

[FCI](#)  
[20020319-G021B01LF](#)

For any questions, you can email us directly:  
[sales@integrated-circuit.com](mailto:sales@integrated-circuit.com)

This document is the property of FCI. No part of the information shown on this document may be used in any way or disclosed to others without the written consent of FCI.  
Copyright FCI.



1 | 2

FCIconnect.com

3

4

PRODUCT NUMBER  
20020319-XXXXXXXXLF

20020319- [ ] [ ] [ ] [ ] [ ] [ ] [ ] [ ] LF

LF: DENOTED ROHS COMPATIBLE

1 : STANDARD PRODUCT W/ BOX PACKING

PITCH  
G: 5.00 mm

POLES

- 2: 2 POLES
- 3: 3 POLES
- : :
- 24: 24 POLES

SCREW CODE

CODE	SCREW TYPE	AVAILABILITY
A	-/+	ON REQUEST ONLY
B	-	STANDARD

PROPERTY TABLE		
PITCH (mm)		
cULus	5.00	
VOLTAGE RATING (VAC)	cULus	300
	VDE	450
CURRENT RATING (A)	cULus	20
	VDE	24
APPLICABLE WIRE RANGE (AWG)	SOLID	12~30
	STRANDED	12~30
WIRE CROSS SECTION (mm <sup>2</sup> )		
0.2~2.5		
OPENING CONTACT HOUSING(mm <sup>2</sup> )		
2.7x3.8		
WIRE STRIP LENGTH(mm)		
6~7		
TORQUE +/- 10% (Lb-in) (N-m)	cULus	3.5
	VDE	0.5
SCREW		
M3		
WITHSTANDING VOLTAGE (kV)	cULus	1.6
	VDE	2.5
OPERATING TEMP. (°C)		
-40~+115		
SOLDERING TEMP. (°C)		
250±10 (5sec)		
POLES AVAILABLE		
02~24		
SAFETY CERTIFICATE		

HOUSING CODE

CODE	COLOR	AVAILABILITY
1	GREEN(RAL 6018/T)	STANDARD
2	BLACK(RAL9005)	ON REQUEST ONLY
3	GREY(RAL7035/D)	ON REQUEST ONLY
4	BLUE(RAL 5015/A)	ON REQUEST ONLY

NOTES:

- 1.MATERIAL:
  - 1-1 HOUSING: THERMOPLASTIC RESIN, UL94V-0 RATED.
  - 1-2 CLAMP: BRASS NICKEL PLATED.
  - 1-3 TERMINAL: BRASS TIN PLATED.
  - 1-4 SCREW: STEEL ZINC PLATED.
2. PRODUCT SPECIFICATION REFER TO FCI GS-12-625.
3. PRODUCT PACKING SPECIFICATION REFER TO FCI GS-14-1394.
4. FCI, SAFETY CERTIFICATE LOGO AND SERIES NAME TO BE SHOWN ON PRODUCT SURFACE.
5. THE PRODUCTS WHERE THE PART NUMBER END IN "LF" MEET THE EUROPEAN UNION DIRECTIVE AND OTHER COUNTRY REGULATIONS AS DESCRIBED IN GS-22-008.

mat'l. code				surface	tolerance	projection	product family
itr				ASME Y14.5	ASME Y14.5		TERMINAL BLOCK
ecn no				tolerances unless otherwise specified			title
A	LS	051012	angles	X.±0.5	MM	TERMINAL BLOCK	FIXED SIGNAL PLUG, HOR. 180D WIRE INLET
			X'±1'	X.X±0.3	scale	dwg no	sheet 1 of 2 size
			dr	LEIF SHEN	031912	20020319	A4
			enrg	LEIF SHEN	031912	type	
			chr	LEIF SHEN	031912	CUSTOMER Drawing	
			appd	GARY HSIEH	031912		
sheet index	revision sheet	A 1	A 2				

This document is the property of FCI and is intended for the use of the customer. It is not to be distributed, copied, or reproduced in any form without the written consent of FCI. Copyright FCI.

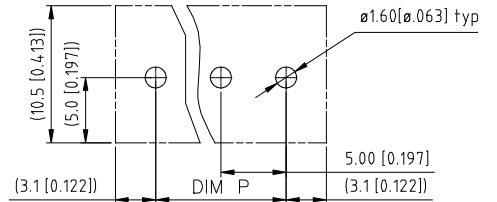
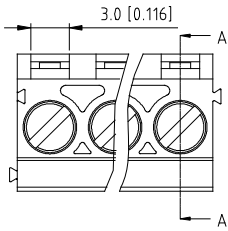


PRODUCT NUMBER	PITCH
20020319-GXXXXXXLF	5.00 mm

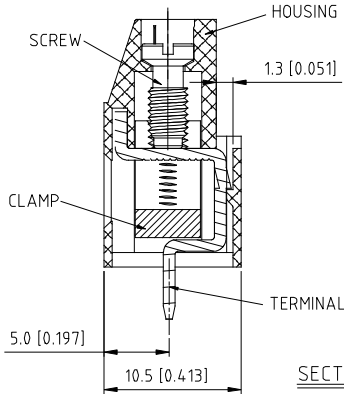
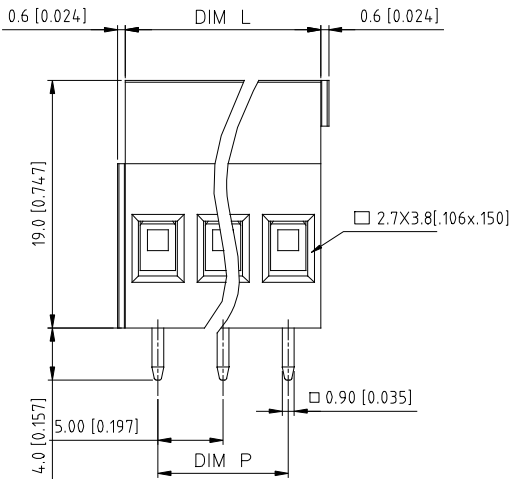
N=Number of poles

DIM L	$N \times 5.0 [0.197]$
DIM P	$(N-1) \times 5.0 [0.197]$

Poles	Tolerance
2P-4P	$\pm 0.15 [0.006]$
5P-8P	$\pm 0.25 [0.010]$
9P-16P	$\pm 0.35 [0.014]$
17P-24P	$\pm 0.40 [0.016]$



RECOMMENDED P.C.B LAYOUT



SECTION A-A

mat'l. code	surface ASME Y14.5 ✓	tolerance ASME Y14.5	projection	product family	
tr	ec	no	dr	date	
A					
tolerances unless otherwise specified				title	
angles	X.±0.5		MM	TERMINAL BLOCK	
line	X.X±0.3			FIXED SIGNAL PLUG, HOR. 180D WIRE INLET	
X'±1'	X.XX±0.1		scale	sheet 2 of size	
dr	LEIF SHEN	031912		20020319	
enr	LEIF SHEN	031912		A4	
chr	LEIF SHEN	031912		type	CUSTOMER Drawing
appd	GARY HSIEH	031912			
sheet index	revision sheet				