

## Excellent Integrated System Limited

Stocking Distributor

Click to view price, real time Inventory, Delivery & Lifecycle Information:

[FCI](#)  
[20020626-U021A01LF](#)

For any questions, you can email us directly:  
[sales@integrated-circuit.com](mailto:sales@integrated-circuit.com)



1 | 2

FCIconnect.com

3 |

4

PRODUCT NUMBER  
 20020626-XXXXXXLF

20020626-□ □ □ □ A 0 □ L F

PITCH  
 U : 10.16 mm

POLES  
 02 : 2 POLES  
 03 : 3 POLES  
 04 : 4 POLES  
 08 : 08 POLES

LF : DENOTED RoHS COMPATIBLE

1 : STANDARD PRODUCT  
 W/ BOX PACKING

PROPERTY TABLE	
FCI SERIES NAME	29-1016
PITCH (mm)	10.16
VOLTAGE RATING (VAC)	300
CURRENT RATING (A)	55
WITHSTANDING VOLTAGE (kV)	1.6
OPERATING TEMP. (°C)	-40~+115
SOLDERING TEMP. (°C)	250±10 (5 sec.)
POLES AVAILABLE	02~08
SAFETY CERTIFICATE	

HOUSING CODE

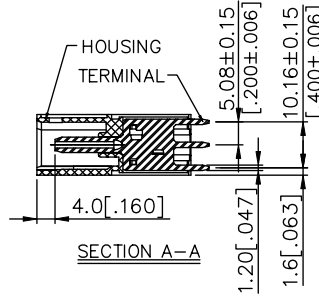
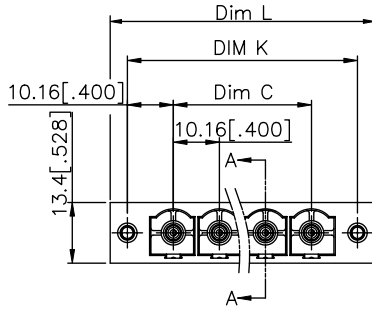
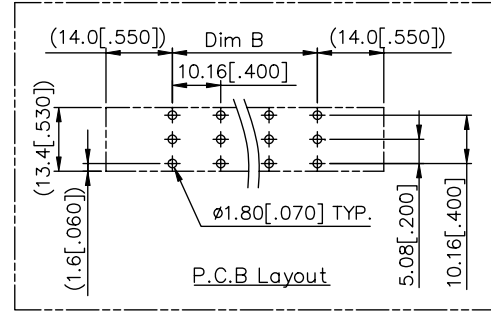
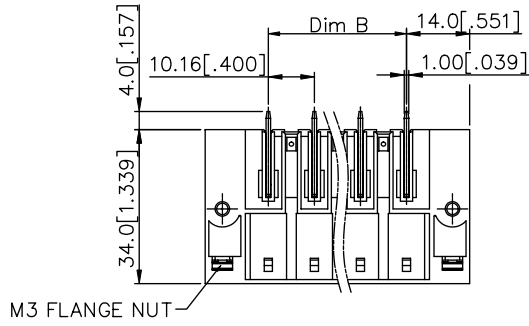
CODE	COLOR	AVAILABILITY
1	GREEN(RAL 6018/T)	STANDARD
2	BLACK	ON REQUEST ONLY
3	GREY(RAL 7004/P)	ON REQUEST ONLY
4	BLUE(RAL 5015/A)	ON REQUEST ONLY

NOTES:

- MATERIALS  
 1-1 HOUSING: THERMALPLASTIC RESIN, UL 94V-0 RATED.  
 1-2 TERMINAL: COPPER ALLOY, GOLD PLATED.
- PRODUCTION SPECIFICATION REFER TO FCI GS-12-625.
- BOXED PACKAGING.  
 DETAILED PRODUCT PACKING SPECIFICATION REFER TO FCI GS-14-1394.
- FCI, SAFETY CERTIFICATE LOGO AND SERIES NAME TO BE SHOWN ON PRODUCT SURFACE.
- THE PRODUCTS WHERE THE PART NUMBER END IN "LF" MEET THE EUROPEAN UNION DIRECTIVE AND OTHER COUNTRY REGULATIONS AS DESCRIBED IN GS-22-008.
- RECOMENDED SOLDERING PROCESS BY WAVE SOLDER.

mat'l. code		surface	tolerance	projection	product family
		ASME Y14.5	ASME Y14.5		TERMINAL BLOCK
ltr	ecn no dr date	tolerances unless otherwise specified			title
A	T10-0160 WL 101210	angles	X.±0.5	MM	TERMINAL BLOCK
B	T10-0187 WL 121410	E	X.X±0.3	[INCH]	PLUGGABLE SOCKET, POWER, W/FLANGE
C	T-005285 WL 082311	X'±1'	X.XX±0.1	scale	STRAIGHT
		dr	WENDY CHEN 093010		dwg no
		enr	JASON HSU 093010		sheet 1 of 2
		chr	JASON HSU 093010		size
		appd	JASON HSU 093010		A4
sheet index	revision sheet	C	C		type
		1	2		CUSTOMER Drawing

PRODUCT NUMBER	SERIES NAME	PITCH
20020626-UXXXXXXLF	29-1016	10.16 mm



**DIMENSION:**

Dim L	$N * 10.16 [.400] + 17.76 [.699]$
Dim B	$(N-1) * 10.16 [.400]$
Dim C	$(N-1) * 10.16 [.400]$
Dim K	$(N+1) * 10.16 [.400]$

N=Number of contacts

Poles	Tolerance
2p-3p	$\pm 0.15 [.006]$
4p-6p	$\pm 0.25 [.010]$
7p-8p	$\pm 0.35 [.014]$

mat'l. code	surface ASME Y14.5 ✓	tolerance ASME Y14.5	projection	product family	
ltr	ecn	no	dr	date	
tolerances unless otherwise specified					
angles	X.±0.5		MM	title	
X'±1"	X.XX±0.3		[INCH]	TERMINAL BLOCK	
	X.XX±0.1		scale	PLUGGABLE SOCKET, POWER, W/FLANGE STRAIGHT	
dr	WENDY CHEN	093010	<b>FCI</b>	sheet 2 of 2 size	
enr	JASON HSU	093010		20020626	A4
chr	JASON HSU	093010		type	CUSTOMER Drawing
appd	JASON HSU	093010			
sheet index	revision sheet				