

Excellent Integrated System Limited

Stocking Distributor

Click to view price, real time Inventory, Delivery & Lifecycle Information:

[FCI](#)

[51710-022](#)

For any questions, you can email us directly:

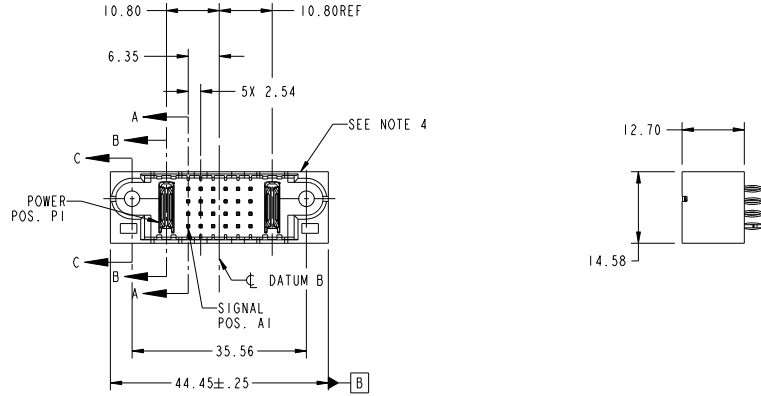
sales@integrated-circuit.com

Tous droits strictement réservés. Reproduction ou communication à des tiers interdite sous quelque forme que ce soit sans autorisation écrite du propriétaire. Property of FCI. Droits de reproduction FCI.

All rights strictly reserved. Reproduction or issue to third parties in any form whatever is not permitted without written authority from the proprietor. Property of FCI. Copyright FCI.



PRODUCT NO.	ROWS	1 2									
		PWR		SIGNAL						PWR	
51710-022... NOTE: 3	D C B A	E1	P1	1	2	3	4	5	6	P2	E2
		PC		G	G	G	G	G	G	PC	
				K	K	K	K	K	K		



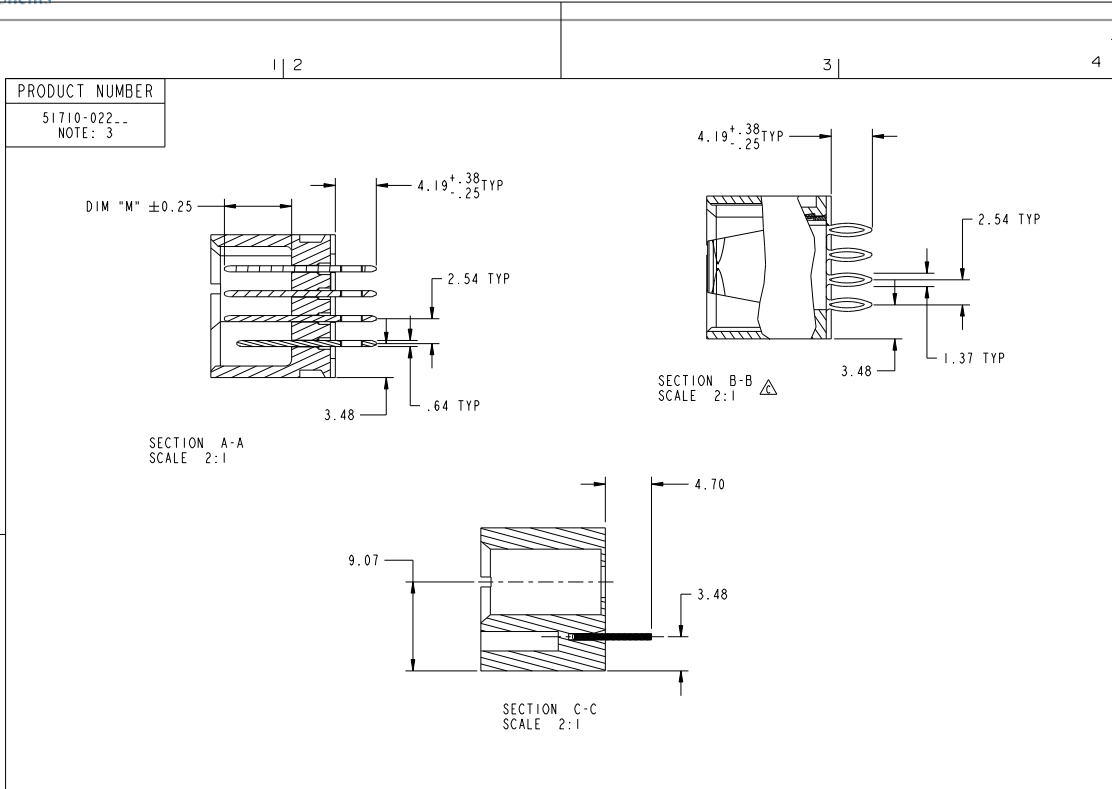
CODE	DIM "M" MATING LENGTH	CONTACT TYPE
PC	[N/A]	POWER
K	[5.59]	SIGNAL
G	[6.86]	SIGNAL
HA	[N/A]	HOLD-DOWN

mat'l code				SEE NOTE		tolerances unless otherwise specified		CUSTOMER	
ltr	ecn no.	dr	date			0.X ±0.5		COPY	www.fciconnect.com
A	DG06-0058	RYAN	02/16/06	linear		0.XX ±0.25		projection	title
B	DG07-0357	JULIA	09/10/07			0.XXX ±0.10			IP + 24S + 1P VERTICAL PF HEADER
C	DG08-0273	JW	12/05/08	angles		0° ±2°			
				dr	RYAN YUAN	02/16/06			product family
				enr	STEVEN WANG	02/16/06			size
				chr	BEER FU	02/16/06			dwg no
				oppd	JOSEPH HSIA	02/16/06		scale	1:1
sheet index	revision sheet	C	C	C	C	C			
		1	2	3	4				

cage code 22526

Tous droits strictement réservés. Reproduction ou communication à des tiers interdite sous quelque forme que ce soit sans autorisation écrite du propriétaire. Propriété de FCI. Droits de reproduction FCI.

All rights strictly reserved. Reproduction or issue to third parties in any form whatever is not permitted without written authority from the proprietor. Property of FCI. Copyright FCI.



mat'l code		SEE NOTE		tolerances unless otherwise specified		CUSTOMER	
ltr	ecm no.	dr	date	linear	0.X ±0.5	COPY	www.fciconnect.com title IP + 24S + 1P VERTICAL PF HEADER
c				angles	0.XX ±0.25 0.XXX ±0.10 0° ±2°	projection	
				dr	RYAN YUAN 02/16/06	MM	product family PwrBlade code 213
				engr	STEVEN WANG 02/16/06	scale	size A dwg no 51710-022 sheet 2
				chr	BEER FU 02/16/06	1:1	
				oppd	JOSEPH HSIA 02/16/06		
sheet index	revision sheet						cage code 22526

Pro/E

PDM: Rev:C

STATUS:Released

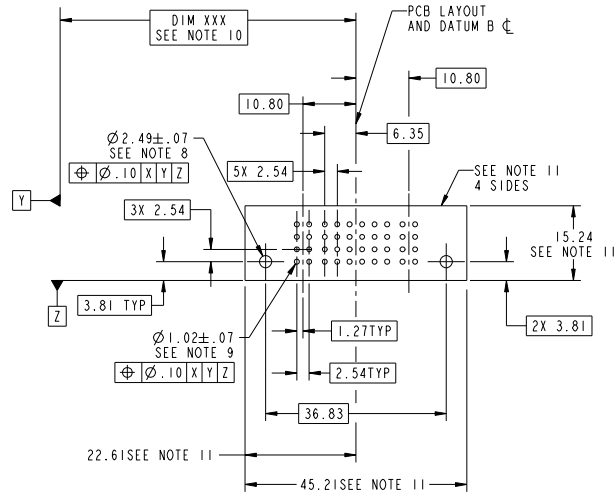
Printed: Dec 20, 2010

Tous droits strictement réservés. Reproduction ou communication à des tiers interdite sous quelque forme que ce soit sans autorisation écrite du propriétaire. Propriété de FCI. Droits de reproduction FCI.



All rights strictly reserved. Reproduction or issue to third parties in any form whatever is not permitted without written authority from the proprietor. Property of FCI. Copyright FCI.

PRODUCT NUMBER
51710-022-
NOTE: 3



mat'l code		SEE NOTE		tolerances unless otherwise specified		CUSTOMER	
ltr	ecn no.	dr	date	linear	0.X ± 0.5	COPY	www.fciconnect.com
C				angles	0.XX ± 0.25	projection	
					0.XXX ± 0.10	MM	title
				dr	0° ± 2°	scale	IP + 24S + 1P
				enr	RYAN YUAN 02/16/06	1:1	VERTICAL PF HEADER
				chr	STEVEN WANG 02/16/06		product family
				oppd	BEER FU 02/16/06		PwrBlade
					JOSEPH HSIA 02/16/06		code
sheet index	revision sheet						size
							dwg no
							51710-022
							code
							213
							sheet
							3

Pro/E

cage code 22526

Tous droits strictement réservés. Reproduction ou communication à des tiers interdite sous quelque forme que ce soit sans autorisation écrite du propriétaire. Propriété de FCI. Droits de reproduction FCI.

All rights strictly reserved. Reproduction or issue to third parties in any form whatever is not permitted without written authority from the proprietor. Property of FCI. Copyright FCI.

PRODUCT NUMBER
51710-022-
NOTE: 3

NOTES:

1. DIMENSIONS AND TOLERANCES ARE IN ACCORDANCE WITH ASME Y14.5M, 1994 UNLESS OTHERWISE SPECIFIED.

CONNECTOR NOTES:

② HOUSING MATERIAL: UL 94 V-0 GLASS FILLED
HIGH-TEMP THERMOPLASTIC
POWER CONTACT MATERIAL: COPPER ALLOY
SIGNAL PIN MATERIAL: COPPER ALLOY

3. PLATING:
SEE ITEM 3 & 4 IN PRINT 10064183 FOR PLATING SPEC OF 51710-022; 51710-022LF PRESPECTIVELY

④ MANUFACTURER'S NAME, P/N, AND DATE CODE TO APPEAR ON THIS SURFACE.

5. PRODUCT SPECIFICATION GS-12-149.
APPLICATION SPECIFICATION BUS-20-067.

6. PACKAGED IN TRAYS.

PCB NOTES:

7. ALL HOLE DIAMETERS ARE FINISHED HOLE SIZE.

8. MOUNTING HOLES, WHERE APPLICABLE, ARE UNPLATED.

⑨ $\varnothing 1.151 \pm 0.025$ DRILLED HOLES PLATED WITH 0.008 MIN SnPb OR Sn OVER 0.03 TO 0.08 Cu PLATING TO ACHIEVE $\varnothing 1.02 \pm .07$ HOLE.

⑩ "DIM XXX" TO BE DETERMINED BY THE CUSTOMER.

⑪ CONNECTOR KEEP-OUT ZONE.

12. FOR PRESS FIT APPLICATION USE FCI CAM TOOL 430169-XXX.

13. A Δ SYMBOL WILL BE NEXT TO ANY DIMENSION, VIEW, OR NOTE WHICH HAS BEEN MODIFIED WITH THE CURRENT DRAWING REVISION.

mat'l code		SEE NOTE		tolerances unless otherwise specified		CUSTOMER		FCI	
ltr	ecm no.	dr	date	linear	angular	projection	title	product family	code
C				0.X ± 0.5	0.XX ± 0.25	MM	IP + 24S + 1P VERTICAL PF HEADER	PwrBlade	213
				0.XXX ± 0.10	0° ± 2°	MM			4
		dr	RYAN YUAN	02/16/06		MM			
		enr	STEVEN WANG	02/16/06		MM			
		chr	BEER FU	02/16/06		MM			
		oppd	JOSEPH HSIA	02/16/06		MM			
sheet index	revision sheet					scale: 1:1	size: A	dwg no: 51710-022	sheet: 4

Pro/E

cage code 22526