

Excellent Integrated System Limited

Stocking Distributor

Click to view price, real time Inventory, Delivery & Lifecycle Information:

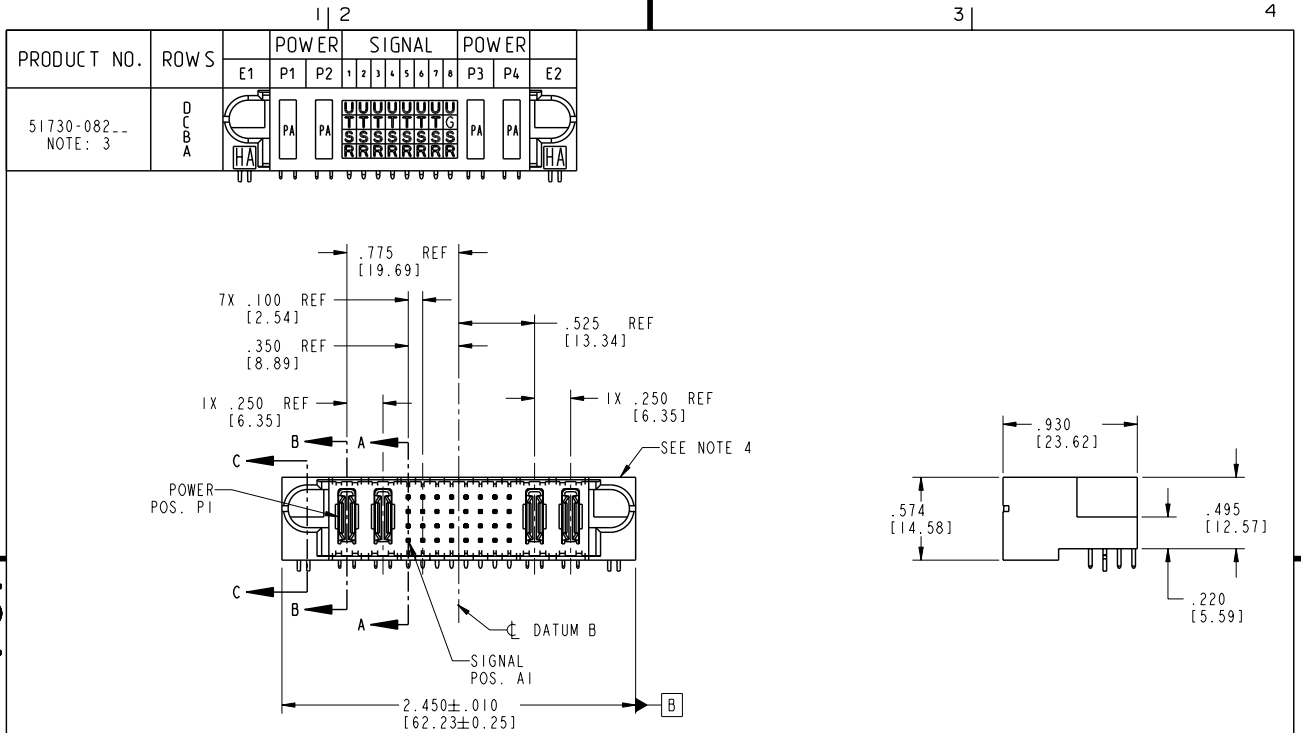
[FCI](#)
[51730-082](#)

For any questions, you can email us directly:
sales@integrated-circuit.com

Tous droits strictement réservés. Reproduction ou communication, o des liens interdiés sous quelque forme que ce soit sans autorisation écrite du propriétaire. Propriété de c FCI. Droits de reproduction FCI.

FCI

All rights strictly reserved. Reproduction or issue to third parties in any form whatever is not permitted without written authority from the proprietor. Property of FCI. Copyright FCI.



CODE	DIM "M" MATING LENGTH	CONTACT TYPE
G	.220 [5.59]	SIGNAL
R	.270 [6.86]	SIGNAL
S	.270 [6.86]	SIGNAL
T	.270 [6.86]	SIGNAL
U	.270 [6.86]	SIGNAL
PA	N/A [N/A]	POWER
HA	N/A [N/A]	HOLD-DOWN

mat'l code				SEE NOTE 2		tolerances unless otherwise specified		CUSTOMER	
lir	ecn no.	dr	date	linear	XX±.01/0, Y±0.3	projection	title	www.fciconnect.com	
A	V03-1078	TAB	09/30/03		.XXX±.005/0, YY±0.13	INCH/MM	2P + 32S + 2P	RIGHT ANGLE SOLDER HEADER	
B	DG05-0501	GuoJM	11/24/05	angles	.XXX±.0020/0, YY±0.051	scale	product family	PwrBlade	code
				dr	T. BRUNGARD 09/30/03	1:1	size	51730-082	213
				engr	M. GRAY 09/30/03		dwg no		sheet
				chr	M. GRAY 09/30/03				1 of 4
				appd	M. GRAY 09/30/03				
sheet index	revision sheet	B 1	B 2	B 3	B 4				

Pro/E

cage code 22526

PDM: Rev:B

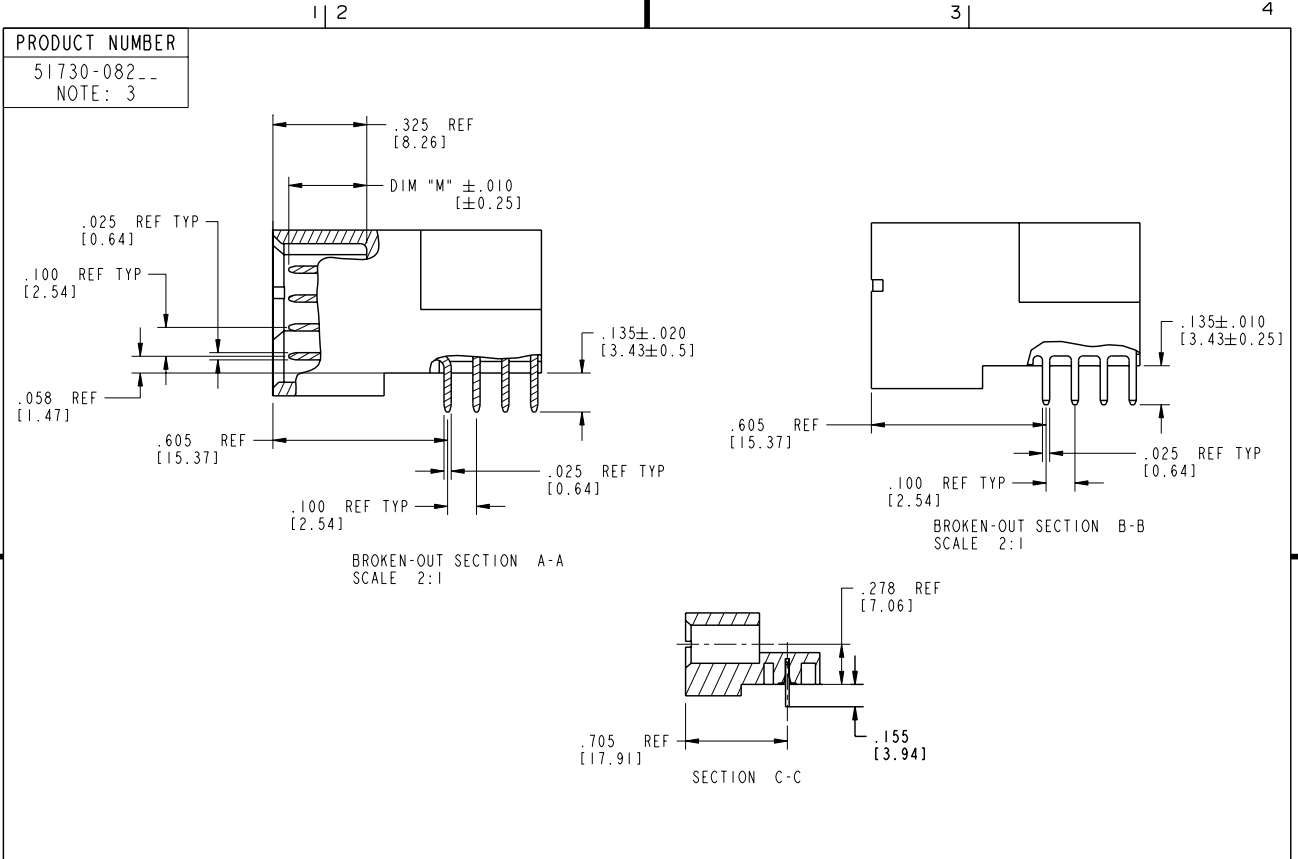
STATUS: **Released**

Printed: Dec 20, 2010

Tous droits strictement réservés. Reproduction ou communication, o des liens interdite sous quelque forme que ce soit sans autorisation écrite du propriétaire. Propriété de c FCI. Droits de reproduction FCI.

FCI

All rights strictly reserved. Reproduction or issue to third parties in any form whatever is not permitted without written authority from the proprietor. Property of FCI. Copyright FCI.



mat'l code		SEE NOTE 2		tolerances unless otherwise specified		CUSTOMER		FCI www.fciconnect.com	
lfr	ecn no.	dr	date	linear	XX±.01/0.X±0.3	projection	COPY	title	2P + 32S + 2P
B				linear	.XXX±.005/0.XX±0.13	INCH/MM		RIGHT ANGLE SOLDER HEADER	
				angles	.XXXX±.0020/0.XX±0.051	scale		product family	PwrBlade
		dr	T. BRUNGARD	09/30/03	0° ± 2°	1:1	A	size	213
		engr	M. GRAY	09/30/03				dwg no	51730-082
		chr	M. GRAY	09/30/03				sheet	2 of 4
		appd	M. GRAY	09/30/03				sheet	
sheet index	revision sheet							cage code	22526

Pro/E

PDM: Rev:B

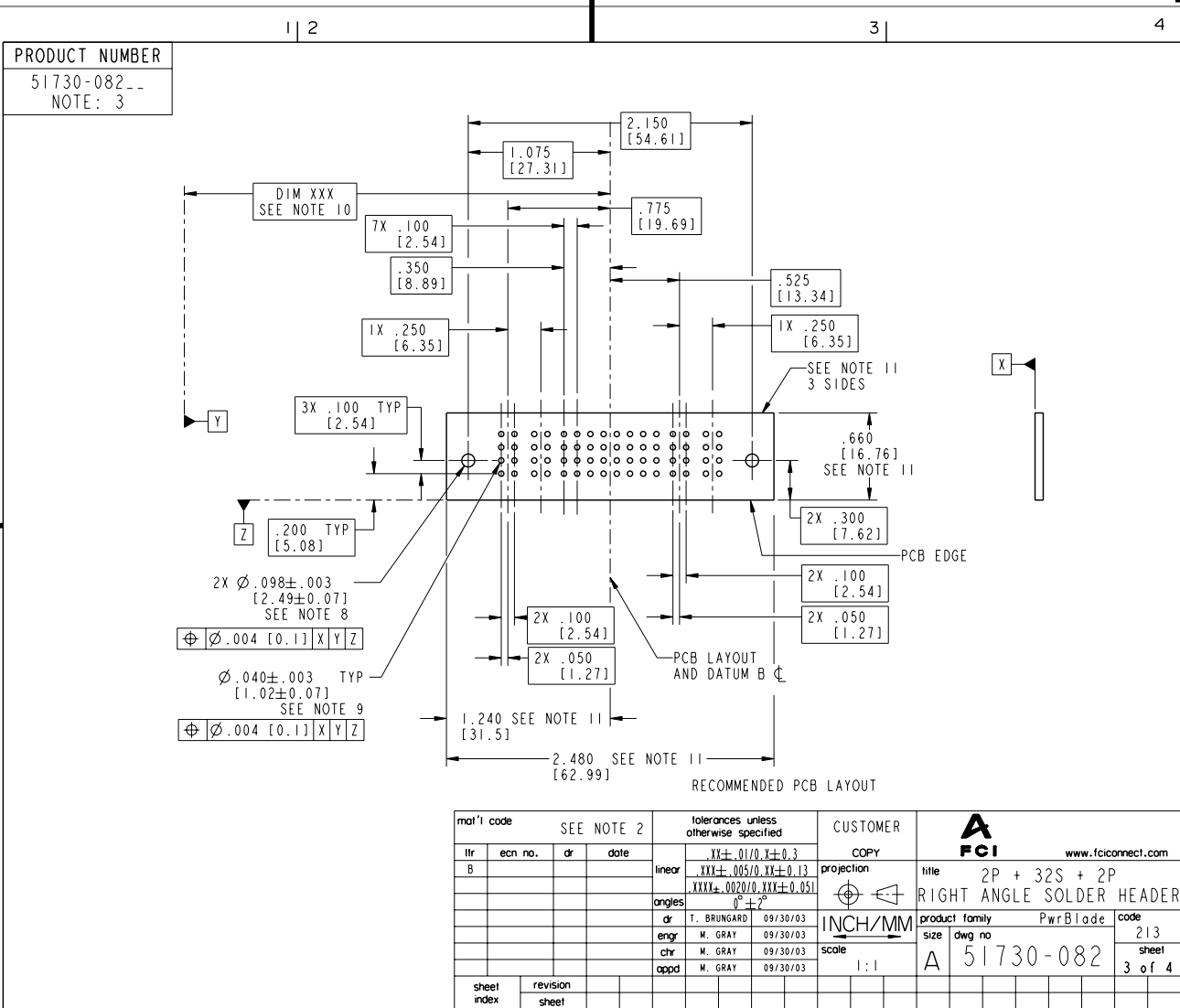
STATUS: **Released**

Printed: Dec 20, 2010

Tous droits strictement réservés. Reproduction ou communication, o des liens interdite sous quelque forme que ce soit sans autorisation écrite du propriétaire. Propriété de c FCI. Droits de reproduction FCI.

FCI

All rights strictly reserved. Reproduction or issue to third parties in any form whatever is not permitted without written authority from the proprietor. Property of FCI. Copyright FCI.



Pro/E

cage code 22526

PDM: Rev:B

STATUS: Released

Printed: Dec 20, 2010

