

Excellent Integrated System Limited

Stocking Distributor

Click to view price, real time Inventory, Delivery & Lifecycle Information:

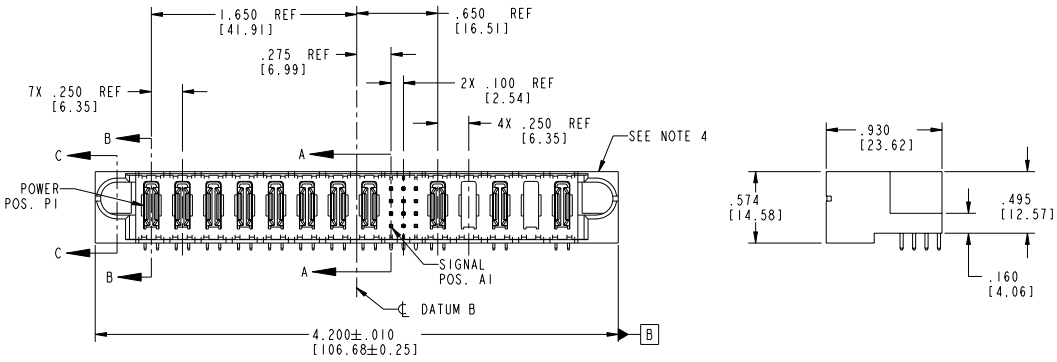
[FCI](#)
[51730-088](#)

For any questions, you can email us directly:
sales@integrated-circuit.com

Tous droits strictement réservés. Reproduction ou communication à des fins inférieures sans aucune forme que ce soit sans autorisation écrite du propriétaire. Propriété de FCI. Droits de reproduction FCI.

All rights strictly reserved. Reproduction or issue to third parties in any form whatever is not permitted without written authority from the proprietor. Property of FCI. Copyright FCI.

PRODUCT NO.	ROWS	POWER								SIG.		POWER					E2	
		E1	P1	P2	P3	P4	P5	P6	P7	P8	1	2	3	P9	P10	P11		P12
51730-088-- NOTE:3	D C B A	PA	PA	PA	PA	PA	PA	PA	PA	UUU UUU UUU UUU UUU UUU UUU UUU UUU UUU	X	X	X	X	X	X	X	X



CODE	DIM "M" MATING LENGTH	CONTACT TYPE
R	.270 [6.86]	SIGNAL
S	.270 [6.86]	SIGNAL
T	.270 [6.86]	SIGNAL
U	.270 [6.86]	SIGNAL
PA	N/A [N/A]	POWER
X	OMITTED	OMITTED

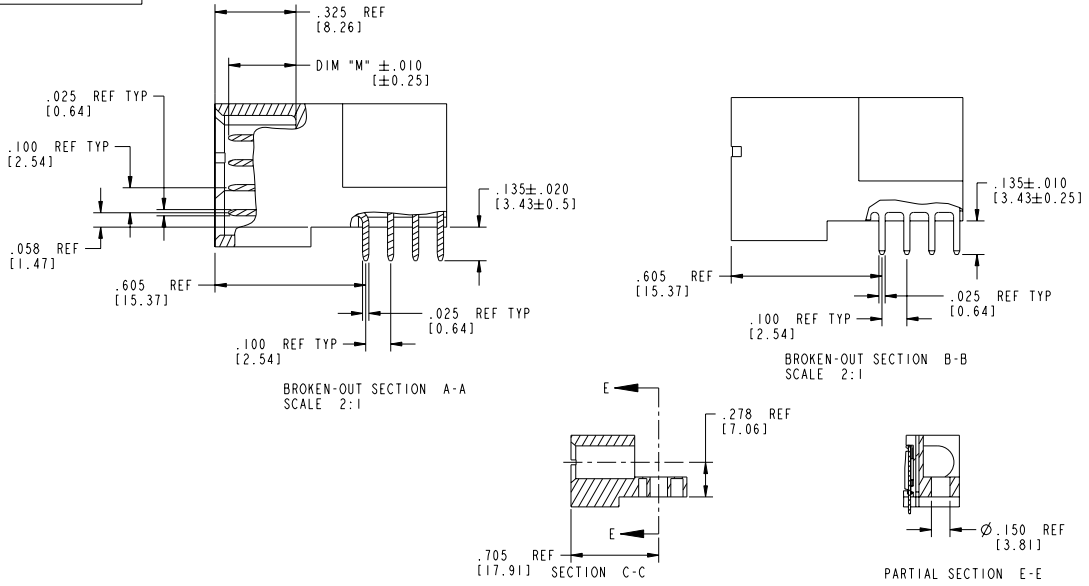
mat'l code		SEE NOTE 2		tolerances unless otherwise specified	
ltr	ecm no.	dr	date	linear	XX±.01/0.XX±0.3
A	V04-0103	TAB	02/03/04		XXX±.005/0.XX±0.13
B	D605-0556	CS	12/19/05		XXXX±.0020/0.XX±0.051
				angles	0°±
		dr	T. BRUNGARD	02/03/04	
		enr	M. GRAY	02/03/04	
		chr	M. GRAY	02/03/04	
		oppd	M. GRAY	02/03/04	
sheet index	revision sheet	B	B	B	B
		1	2	3	4

CUSTOMER		FCI		www.fciconnect.com	
COPY		projection		title	
8P + 12S + 5P		RIGHT ANGLE SOLDER HEADER		product family	
PwrBlade		code		213	
size		dwg no		A	
51730-088		sheet		1 of 4	
scale		1:1		code code	
22526					

Tous droits strictement réservés. Reproduction ou communication à des fins inférieures sans aucune forme que ce soit sans autorisation écrite du propriétaire. Propriété de FCI. Droits de reproduction FCI.

All rights strictly reserved. Reproduction or issue in any form whatever is not permitted without written authority from the proprietor. Property of FCI. Copyright FCI.

PRODUCT NUMBER
51730-088
NOTE: 3



mat'l code		SEE NOTE 2	tolerances unless otherwise specified	CUSTOMER	FCI	
ltr	ecm no.	dr	date	COPY	www.fciconnect.com	
B				projection	title 8P + 12S + 5P	
				INCH/MM	RIGHT ANGLE SOLDER HEADER	
				scale 1:1	product family	PwrBlade
					size	code 213
					dwg no	sheet 2 of 4
sheet index	revision sheet				code code	22526

Pro/E

PDM: Rev:B

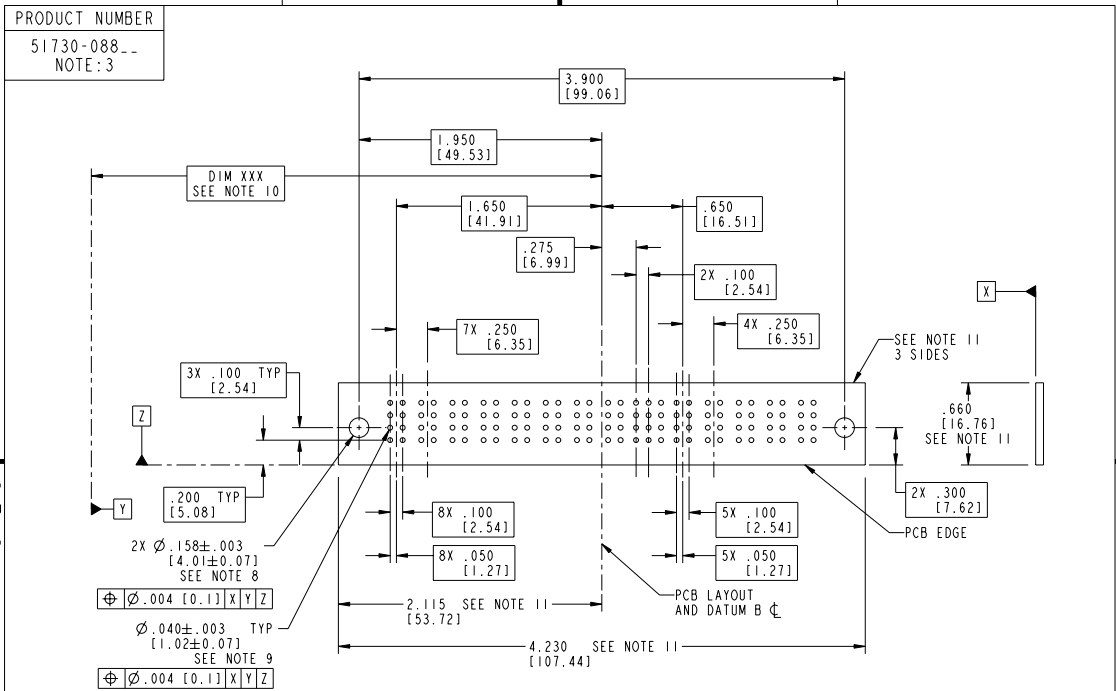
STATUS: Released

Printed: Dec 20, 2010

Tous droits strictement réservés. Reproduction ou communication, en des lieux interdite sous quelque forme que ce soit sans autorisation écrite du propriétaire. Propriété de c FCI. Droits de reproduction FCI.



All rights strictly reserved. Reproduction or issue in third parties in any form whatever is not permitted without written authority from the proprietor. Property of FCI. Copyright FCI.



RECOMMENDED PCB LAYOUT

mat'l code		SEE NOTE 2	tolerances unless otherwise specified	CUSTOMER	
ltr	ecn no.	dr	date	COPY	
B				linear	www.fciconnect.com
				projection	title
				angles	8P + 12S + 5P
				dr	RIGHT ANGLE SOLDER HEADER
				enr	product family
				chr	PwrBlade
				appd	code
				scale	213
					sheet
					3 of 4
sheet index	revision sheet			size	
				A	
				dwg no	
				51730-088	
				code code	
				22526	

Tous droits strictement réservés. Reproduction ou communication de ces lignes interdit sans autorisation écrite du propriétaire. Propriété de FCI. Droits de reproduction FCI.

All rights strictly reserved. Reproduction or issue in third parties in any form without written authority from the proprietor. Property of FCI. Copyright FCI.

PRODUCT NUMBER
 51730-088
 NOTE: 3

NOTES:

1. DIMENSIONS AND TOLERANCES ARE IN ACCORDANCE WITH ASME Y14.5M, 1994 UNLESS OTHERWISE SPECIFIED.

CONNECTOR NOTES:

2. HOUSING MATERIAL: UL 94 V-0 GLASS FILLED HIGH-TEMP THERMOPLASTIC
 POWER CONTACT MATERIAL: COPPER ALLOY
 SIGNAL PIN MATERIAL: COPPER ALLOY

3. PLATING:
 51730-088 Singal Pin: 30u"/0.76um Au OVER 50u"/1.27um Ni ON THE CONTACT AREA.
 AND 100u"/2.54um SnPb PLATING OVER 50u"/1.27um Ni ON THE TERMINATION SECTION.
 Power Pin: 30u"/0.76um Au OVER 50u"/1.27um Ni ON THE CONTACT AREA,
 AND 100u"/2.54um SnPb PLATING OVER 50u"/1.27um Ni ON THE TERMINATION SECTION.
 51730-088LF Singal Pin: 30u"/0.76um Au OVER 50u"/1.27um Ni ON THE CONTACT AREA.
 AND 78u"/2.00um Sn PLATING OVER 50u"/1.27um Ni ON THE TERMINATION SECTION.
 Power Pin: 30u"/0.76um Au OVER 50u"/1.27um Ni ON THE CONTACT AREA,
 AND 78u"/2.00um Sn PLATING OVER 50u"/1.27um Ni ON THE TERMINATION SECTION.

PART NUMBER 51730-088LF MEETS EUROPEAN UNION DIRECTIVE AND OTHER COUNTRY REGULATIONS AS DESCRIBED IN GS-22-008.
 THE HOUSING WILL WITHSTAND EXPOSURE TO 260° PEAK TEMPERATURE FOR 10 SECONDS IN A WAVE SOLDER APPLICATION WITH A CIRCUIT BOARD.

4. MANUFACTURER'S NAME, P/N, AND DATE CODE TO APPEAR ON THIS SURFACE.

5. PRODUCT SPECIFICATION GS-12-149.
 APPLICATION SPECIFICATION BUS-20-067.

6. PACKAGED IN TRAYS.

PCB NOTES:

7. ALL HOLE DIAMETERS ARE FINISHED HOLE SIZE.

8. MOUNTING HOLES, WHERE APPLICABLE, ARE UNPLATED.

9. $\varnothing .0453 \pm .0010$ [1.151 ± 0.025] DRILLED HOLES PLATED WITH .0003 [0.008] MIN SnPb OVER .001 [0.03] TO .003 [0.08] Cu PLATING TO ACHIEVE $\varnothing .040 \pm .003$ [1.02 ± .07] HOLE.

10. "DIM XXX" TO BE DETERMINED BY THE CUSTOMER.

11. CONNECTOR KEEP-OUT ZONE.

mat'l code		SEE NOTE 2	tolerances unless otherwise specified	CUSTOMER		FCI	
ltr	ecm no.	dr	date	COPY		www.fciconnect.com	
B				linear	$.XX \pm .01/0$ $.XX \pm 0.3$	projection	title
				angles	$.XXX \pm .005/0$ $.XX \pm 0.13$		8P + 12S + 5P
				dr	$.XXX \pm .0020/0$ $.XX \pm 0.051$	INCH/MM	RIGHT ANGLE SOLDER HEADER
				enr	T. BRUNGARD 02/03/04	product family	PwrBlade
				chr	M. GRAY 02/03/04	size	51730-088
				oppd	M. GRAY 02/03/04	scale	1:1
sheet index	revision sheet						code
							22526

Pro/E

PDM: Rev:B

STATUS: Released

Printed: Dec 20, 2010