

Excellent Integrated System Limited

Stocking Distributor

Click to view price, real time Inventory, Delivery & Lifecycle Information:

[FCI](#)

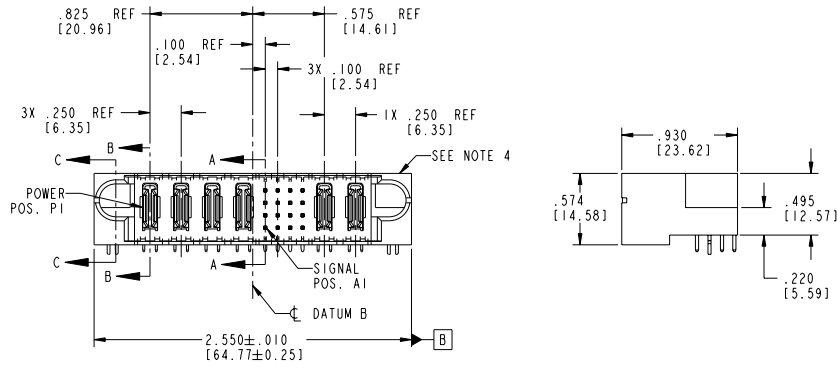
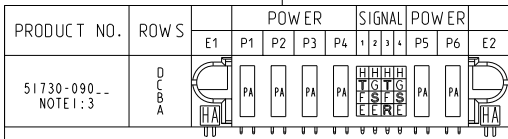
[51730-090LF](#)

For any questions, you can email us directly:

sales@integrated-circuit.com

Tous droits strictement réservés. Reproduction ou communication à des fins inférieures sans aucune forme que ce soit sans autorisation écrite du propriétaire. Propriété de FCI. Droits de reproduction FCI.

All rights strictly reserved. Reproduction or issue to third parties in any form without written authority from the proprietor. Property of FCI. Copyright FCI.



CODE	DIM "M" MATING LENGTH	CONTACT TYPE
E	.220 [5.59]	SIGNAL
F	.220 [5.59]	SIGNAL
G	.220 [5.59]	SIGNAL
H	.220 [5.59]	SIGNAL
R	.270 [6.86]	SIGNAL
S	.270 [6.86]	SIGNAL
T	.270 [6.86]	SIGNAL
PA	N/A [N/A]	POWER
HA	N/A [N/A]	HOLD-DOWN

mat'l code				SEE NOTE 2		tolerances unless otherwise specified		CUSTOMER	
ltr	ecn no.	dr	date	linear	XX ± .01/0.01 ± 0.3	projection		www.fciconnect.com	
A	V04-0348	TAB	04/08/04	linear	XXX ± .005/0.01 ± 0.13	COPY		title	
B	DG05-0556	CS	12/19/05	angles	XXXX ± .0020/0.01 ± 0.051	INCH/MM		RIGHT ANGLE SOLDER HEADER	
				dr	T. BRUNGARD 04/08/04	scale		product family	
				enr	M. GRAY 04/08/04	1:1		PwrBlade	
				chr	M. GRAY 04/08/04			size	
				oppd	M. GRAY 04/08/04			dwg no	
sheet index	revision sheet	B 1	B 2	B 3	B 4			A 51730-090	
								code	
								213	
								of 4	

PDM: Rev:B

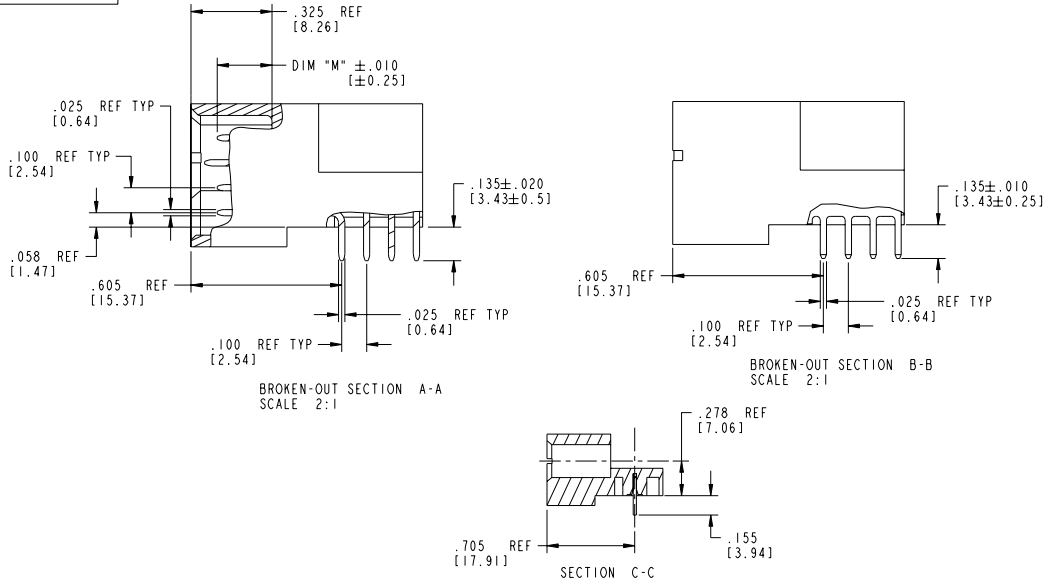
STATUS Released

Printed: Oct 08, 2006

Tous droits strictement réservés. Reproduction ou communication de ces lignes interdit sans autorisation écrite du propriétaire. Property of FCI. - Droits de reproduction FCI.

All rights strictly reserved. Reproduction or issue to third parties in any form without written authority from the proprietor. Property of FCI. - Copyright FCI.

PRODUCT NUMBER
51730-090
NOTE 1:3



mat'l code		SEE NOTE 2	tolerances unless otherwise specified		CUSTOMER	FCI www.fciconnect.com	
ltr	ecm no.	dr	date	linear	projection	title	
B				XX±.01/0.XX±0.3	⊕	4P + 16S + 2P	
				XXX±.005/0.XX±0.13		RIGHT ANGLE SOLDER HEADER	
				XXXX±.0020/0.XX±0.051	INCH/MM	product family	PwrBlade
				angles	scale	size	dwg no
				0° ± 2°	1:1	A	51730-090
				dr			code
				T. BRUNGARD	04/08/04		213
				enr	M. GRAY		sheet
				chr	M. GRAY		2 of 4
				appd	M. GRAY		
sheet index	revision sheet						

Pro/E

code code 22526

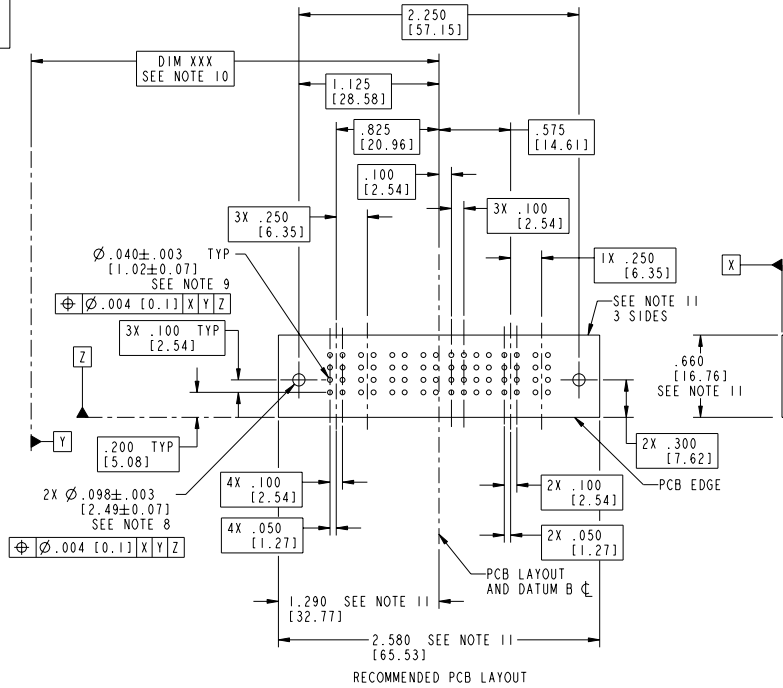
PDM: Rev:B STATUS **Released**

Printed: Oct 08, 2006

Tous droits strictement réservés. Reproduction ou communication à des fins inférieures sans autorisation écrite du propriétaire. Propriété de FCI. Droits de reproduction FCI.

All rights strictly reserved. Reproduction or issue to third parties in any form without written authority from the proprietor. Property of FCI. Copyright FCI.

PRODUCT NUMBER
51730-090...
NOTE 1:3



RECOMMENDED PCB LAYOUT

mat'l code				SEE NOTE 2	tolerances unless otherwise specified	CUSTOMER	
ltr	ecm no.	dr	date	linear	XX±.01/0.XX±0.3	COPY	www.fciconnect.com
B				linear	XXX±.005/0.XX±0.13	projection	title
				angles	XXXX±.0020/0.XX±0.051	INCH/MM	4P + 16S + 2P
				dr	0°±	scale	RIGHT ANGLE SOLDER HEADER
				engr	T. BRUNGARD 04/08/04	size	product family PwrBlade code
				chr	M. GRAY 04/08/04	1:1	size dwg no 51730-090 sheet
				appd	M. GRAY 04/08/04		3 of 4
sheet index	revision sheet						

PDM: Rev:B STATUS Released

Printed: Oct 08, 2006

Tous droits strictement réservés. Reproduction ou communication de ces lignes interdit sans aucune forme que ce soit sans autorisation écrite du propriétaire. Propriété de FCI. Droits de reproduction FCI.

All rights strictly reserved. Reproduction or issue in third parties in any form whatever is not permitted without written authority from the proprietor. Property of FCI. Copyright FCI.

PRODUCT NUMBER
 51730-090 _ _
 NOTE 1:3

NOTES:

1. DIMENSIONS AND TOLERANCES ARE IN ACCORDANCE WITH ASME Y14.5M, 1994 UNLESS OTHERWISE SPECIFIED.

CONNECTOR NOTES:

2. HOUSING MATERIAL: UL 94 V-0 GLASS FILLED HIGH-TEMP THERMOPLASTIC
 POWER CONTACT MATERIAL: COPPER ALLOY
 SIGNAL PIN MATERIAL: COPPER ALLOY

3. PLATING:
 51730-090 Singal Pin:30u"/0.76um Au OVER 50u"/1.27um Ni ON THE CONTACT AREA.
 AND 100u"/2.54um SnPb PLATING OVER 50u"/1.27um Ni ON THE TERMINATION SECTION.
 Power Pin:30u"/0.76um Au OVER 50u"/1.27um Ni ON THE CONTACT AREA,
 AND 100u"/2.54um SnPb PLATING OVER 50u"/1.27um Ni ON THE TERMINATION SECTION.
 51730-090LF Singal Pin:30u"/0.76um Au OVER 50u"/1.27um Ni ON THE CONTACT AREA.
 AND 78u"/2.00um Sn PLATING OVER 50u"/1.27um Ni ON THE TERMINATION SECTION.
 Power Pin:30u"/0.76um Au OVER 50u"/1.27um Ni ON THE CONTACT AREA,
 AND 78u"/2.00um Sn PLATING OVER 50u"/1.27um Ni ON THE TERMINATION SECTION.

PART NUMBER 51730-090LF MEETS EUROPEAN UNION DIRECTIVE AND OTHER COUNTRY REGULATIONS AS DESCRIBED IN GS-22-008.

THE HOUSING WILL WITHSTAND EXPOSURE TO 260° PEAK TEMPERATURE FOR 10 SECONDS IN A WAVE SOLDER APPLICATION WITH A CIRCUIT BOARD.

4. MANUFACTURER'S NAME, P/N, AND DATE CODE TO APPEAR ON THIS SURFACE.

5. PRODUCT SPECIFICATION GS-12-149.
 APPLICATION SPECIFICATION BUS-20-067.

6. PACKAGED IN TRAYS.

PCB NOTES:

7. ALL HOLE DIAMETERS ARE FINISHED HOLE SIZE.

8. MOUNTING HOLES, WHERE APPLICABLE, ARE UNPLATED.

9. $\varnothing .0453 \pm .0010$ [1.151 ± 0.025] DRILLED HOLES PLATED WITH .0003 [0.008] MIN SnPb OVER .001 [0.03] TO .003 [0.08] Cu PLATING TO ACHIEVE $\varnothing .040 \pm .003$ [1.02 ± .07] HOLE.

10. "DIM XXX" TO BE DETERMINED BY THE CUSTOMER.

11. CONNECTOR KEEP-OUT ZONE.

mat'l code		SEE NOTE 2	tolerances unless otherwise specified	CUSTOMER	
ltr	ecm no.	dr	date	COPY	
B				www.fciconnect.com	
		linear	$.XX \pm .01/0$ $.Y \pm 0.3$	projection	title
		angles	$.XXX \pm .005/0$ $.YY \pm 0.13$		4P + 16S + 2P
		dr	$.XXX \pm .0020/0$ $.YY \pm 0.051$	INCH/MM	RIGHT ANGLE SOLDER HEADER
		engr	T. BRUNGARD 04/08/04	product family	PwrBlade
		chr	M. GRAY 04/08/04	size	51730-090
		appd	M. GRAY 04/08/04	scale	1:1
sheet index	revision sheet				code code 22526
					213
					4 of 4

Pro/E

PDM: Rev:B

STATUS Released

Printed: Oct 08, 2006