

Excellent Integrated System Limited

Stocking Distributor

Click to view price, real time Inventory, Delivery & Lifecycle Information:

[FCI](#)

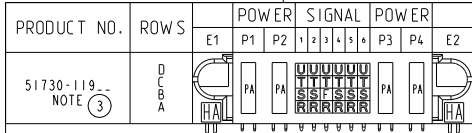
[51730-119LF](#)

For any questions, you can email us directly:

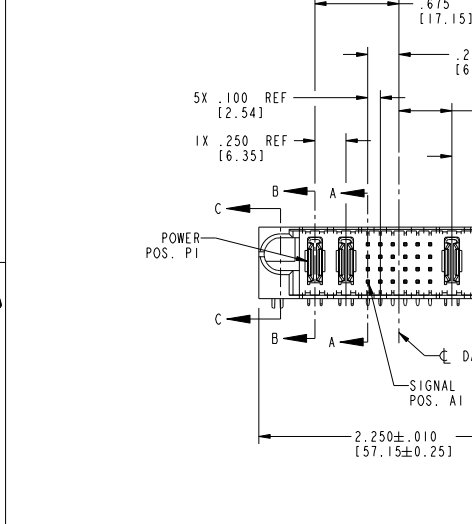
sales@integrated-circuit.com

Tous droits strictement réservés. Reproduction ou communication, en des lieux interdite sans aucune forme que ce soit sans autorisation écrite du propriétaire. Propriété de c FCI. Droits de reproduction FCI.

All rights strictly reserved. Reproduction or issue in third parties in any form wherever is not permitted without written authority from the proprietor. Property of FCI. Copyright FCI.



PRODUCT NO.	ROWS	POWER	SIGNAL	POWER
51730-119	D C B A	E1	1 2 3 4	P3 P4 E2



CODE	DIM "M" MATING LENGTH	CONTACT TYPE
U	.270 [6.86]	SIGNAL
T	.270 [6.86]	SIGNAL
S	.270 [6.86]	SIGNAL
R	.270 [6.86]	SIGNAL
PA	N/A [N/A]	POWER
HA	N/A [N/A]	HOLD-DOWN
F	.220 [5.59]	SIGNAL

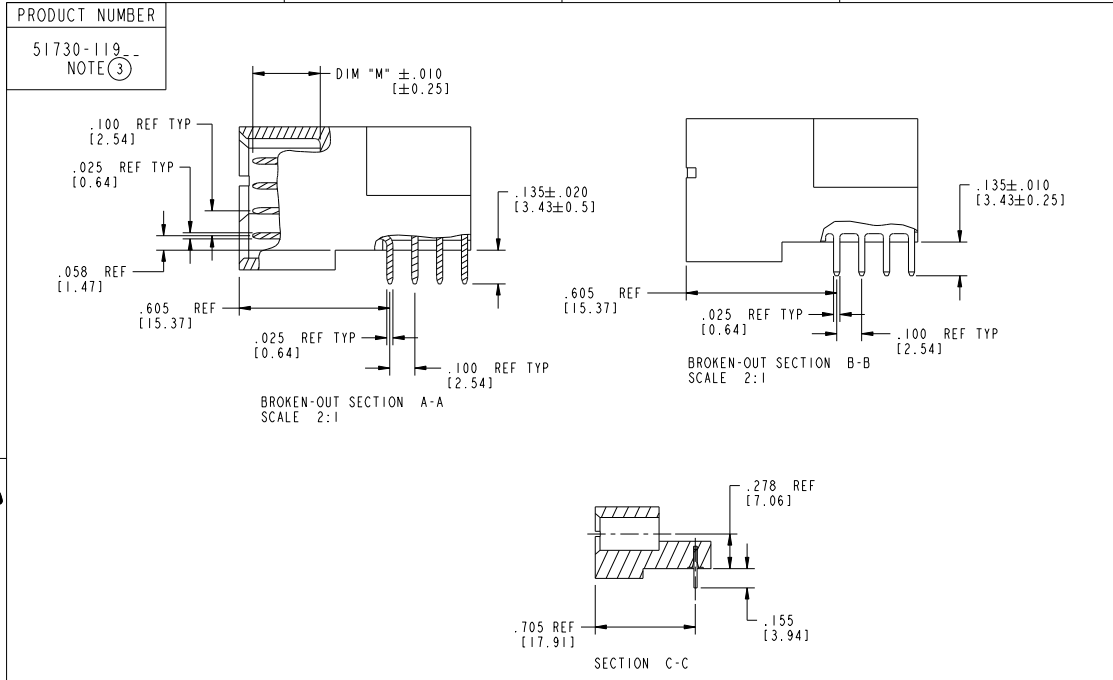
mat'l code				SEE NOTE 2		tolerances unless otherwise specified	
ltr	ecn no.	dr	date	linear	XX±.01/0.XX±0.3	projection	
A	DG05-0543	Ryan	12/13/05		XXX±.005/0.XX±0.13		
B	DG08-0253	SH	09/13/08	angles	XXX±.002/0.XX±0.051		
				dr	Ryan.Yuan 12/13/05		
				enrg	Sally.Luo 12/19/05		
				chr	David Su 12/13/05		
				oppd	JOSEPH HSIA 12/13/05		
sheet index	revision sheet	B 1	B 2	B 3	B 4		

CUSTOMER		FCI	
COPY		www.fciconnect.com	
title		2P + 24S + 2P	
RIGHT ANGLE SOLDER HEADER		code 213	
product family		PwrBlade	
size		dwg no 51730-119	
scale		sheet 1 of 4	
1:1		code code 22526	

Tous droits strictement réservés. Reproduction ou communication de ces lignes interdite sans aucune forme que ce soit sans autorisation écrite du propriétaire. Propriété de FCI. Droits de reproduction FCI.



All rights strictly reserved. Reproduction or issue in any form whatever is not permitted without written authority from the proprietor. Property of FCI. Copyright FCI.



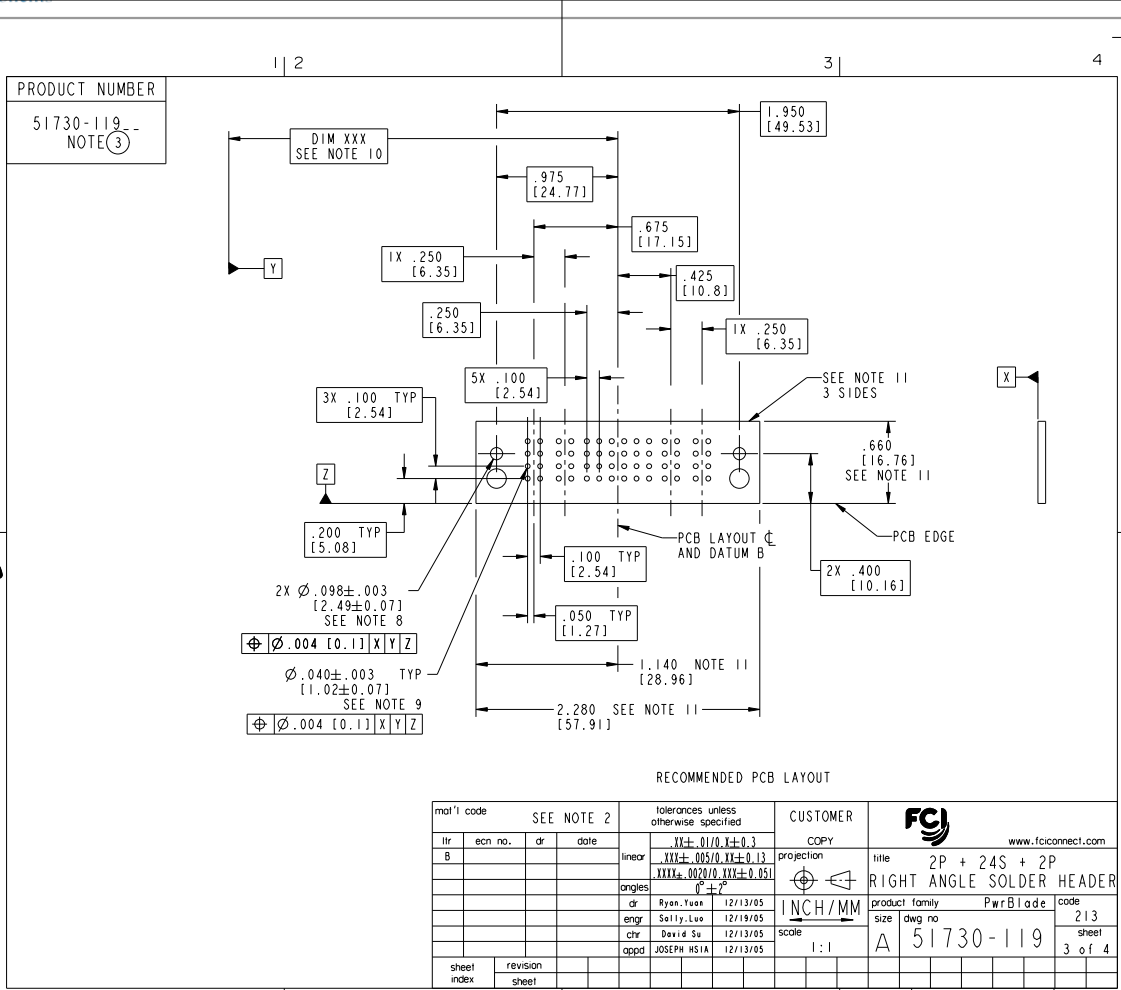
mat'l code		SEE NOTE 2	tolerances unless otherwise specified		CUSTOMER	FCI		www.fciconnect.com	
ltr	ecm no.	dr	date	linear	projection	title			
B				$XX \pm .01/0$ $XX \pm .005/0$ $XX \pm 0.13$ $XXX \pm .002/0$ $XX \pm 0.051$		2P + 24S + 2P RIGHT ANGLE SOLDER HEADER			
				angles		product	family	PwrBlade	code
				dr	scale	size	dwg no	51730-119	213
				enr	1:1	A			sheet
				chr					2 of 4
				appd					
sheet index	revision sheet								

Pro/E 3 cage code 22526 4

Tous droits strictement réservés. Reproduction ou communication, en des lieux interdite sans aucune forme que ce soit sans autorisation écrite du propriétaire. Propriété de FCI. Droits de reproduction FCI.



All rights strictly reserved. Reproduction or issue in any form anywhere is not permitted without written authority from the proprietor. Property of FCI. Copyright FCI.



RECOMMENDED PCB LAYOUT

mat'l code				SEE NOTE 2		tolerances unless otherwise specified		CUSTOMER	
lfr	ecm no.	dr	date	linear	XX±.01/0.XX±0.3	projection	www.fciconnect.com		
B				angles	XXX±.005/0.XX±0.13	INCH/MM	title 2P + 24S + 2P		
				dr	XXX±.002/0.XX±0.051	scale 1:1	RIGHT ANGLE SOLDER HEADER		
				enr	Ryan Tsuei 12/13/05		product family PwrBlade code 213		
				chr	Sally Luo 12/19/05		size dwg no 51730-119 sheet 3 of 4		
				oppd	David Su 12/13/05		cage code 22526		
					JOSEPH HSIA 12/13/05				
sheet index	revision sheet								

Tous droits strictement réservés. Reproduction ou communication, en des lieux interdite
 sous quelque forme que ce soit sans autorisation écrite du propriétaire.
 Property of FCI. - Droits de reproduction FCI.

All rights strictly reserved. Reproduction or issue in third parties in any
 form whatever is not permitted without written authority from the proprietor.
 Property of FCI. - Copyright FCI.

PRODUCT NUMBER
 51730-119 -
 NOTE ③

NOTES:

1. DIMENSIONS AND TOLERANCES ARE IN ACCORDANCE WITH ASME Y14.5M, 1994 UNLESS OTHERWISE SPECIFIED.

CONNECTOR NOTES:

- ②. HOUSING MATERIAL: UL 94 V-0 GLASS FILLED HIGH-TEMP THERMOPLASTIC
 POWER CONTACT MATERIAL: COPPER ALLOY
 SIGNAL PIN MATERIAL: COPPER ALLOY
- 3. PLATING:
 ⚠ SEE ITEM 1 & 2 IN PRINT 10064183 FOR PLATING SPEC OF 51730-119 AND 51730-119LF RESPECTIVELY
- ④. MANUFACTURER'S NAME, P/N, AND DATE CODE TO APPEAR ON THIS SURFACE.

5. PRODUCT SPECIFICATION GS-12-149.
 APPLICATION SPECIFICATION BUS-20-067.

6. PACKAGED IN TRAYS.

PCB NOTES:

7. ALL HOLE DIAMETERS ARE FINISHED HOLE SIZE.

⑧. MOUNTING HOLES, WHERE APPLICABLE, ARE UNPLATED.

⑨. $\varnothing .0453 \pm .0010$ [1.151 ± 0.025] DRILLED HOLES PLATED WITH
 .0003 [0.008] MIN SnPb OVER .001 [0.03]
 TO .003 [0.08] Cu PLATING TO ACHIEVE
 $\varnothing .040 \pm .003$ [1.02 ± .07] HOLE.

⑩. "DIM XXX" TO BE DETERMINED BY THE CUSTOMER.

⑪. CONNECTOR KEEP-OUT ZONE.

12: ⚠ SYMBOL WILL BE NEXT TO ANY DIMENSION, VIEW,
 OR NOTE WHICH HAS BEEN MODIFIED WITH CURRENT
 DRAWING VERSION.

mat'l code		SEE NOTE 2	tolerances unless otherwise specified	CUSTOMER	FCI www.fciconnect.com	
ltr	ecm no.	dr	date	linear	projection	title
B				$XX \pm .01/0$ $YY \pm 0.3$	COPY	2P + 24S + 2P
				$XXX \pm .005/0$ $YY \pm 0.13$		RIGHT ANGLE SOLDER HEADER
				angles	$0^\circ \pm 0^\circ$	product family
				dr	Ryan Tsuei 12/13/05	PwrBlade
				enrg	Sally Luo 12/13/05	code
				chr	David Su 12/13/05	213
				oppd	JOSEPH HSIA 12/13/05	sheet
sheet index	revision sheet				INCH/MM	4 of 4
					scale	
					1:1	

1 | 2

Pro/E

3 |

cage code 22526

4