

Excellent Integrated System Limited

Stocking Distributor

Click to view price, real time Inventory, Delivery & Lifecycle Information:

[FCI](#)

[51730-159LF](#)

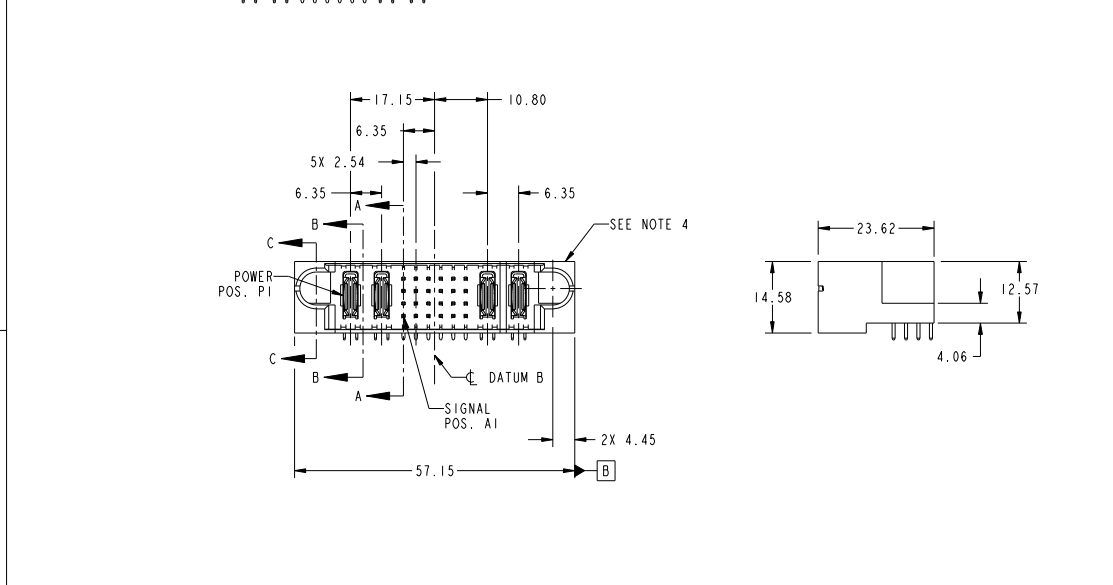
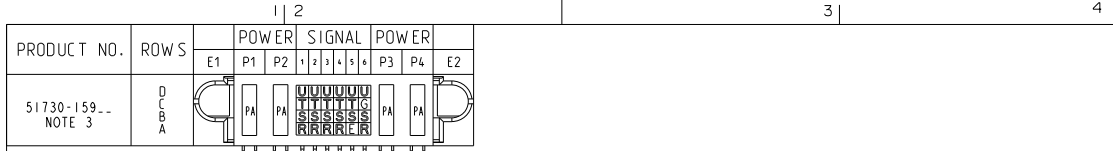
For any questions, you can email us directly:

sales@integrated-circuit.com

Tous droits strictement réservés. Reproduction ou communication à des tiers interdite sous quelque forme que ce soit sans autorisation écrite du propriétaire. Propriété de FCI. Droits de reproduction FCI.



All rights strictly reserved. Reproduction or issue to third parties in any form whatever is not permitted without written authority from the proprietor. Property of FCI. Copyright FCI.



CODE	DIM "M" MATING LENGTH	CONTACT TYPE
U	[6.86]	SIGNAL
T	[6.86]	SIGNAL
S	[6.86]	SIGNAL
R	[6.86]	SIGNAL
PA	[N/A]	POWER
E	[5.59]	SIGNAL
G	[5.59]	SIGNAL

mat'l code				SEE NOTE		tolerances unless otherwise specified		CUSTOMER	
ltr	ecr no.	dr	date			0.X ±0.5			
A	DG09-0118	WD	04/15/09	linear		0.XX ±0.25			
				angles		0.XXX ±0.1			
				dr	Warren Du	02/19/09			
				enr	Warren Du	02/19/09			
				chr	Gary hsieh	02/19/09			
				oppd	JOSEPH HSIA	02/19/09			
sheet index	revision sheet	A	A	A	A	A			
		1	2	3	4				

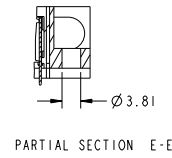
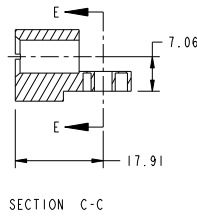
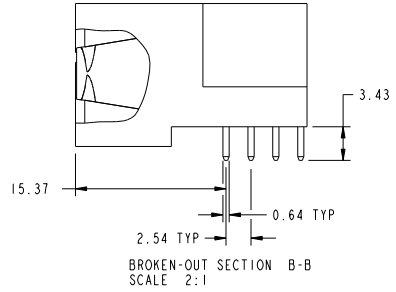
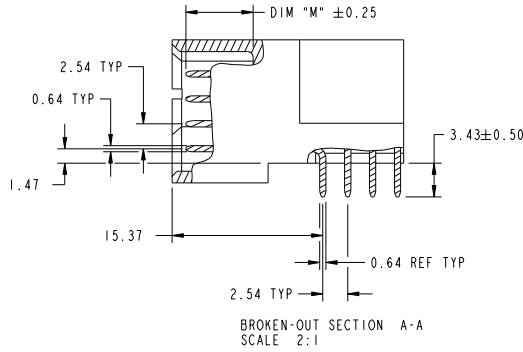
FCI		www.fciconnect.com	
COPY		title	
projection		2P + 24S + 2P	
MM		RIGHT ANGLE SOLDER HEADER	
scale		product family	
1:1		PwrBlade	
size		code	
A		213	
dwg no		sheet	
51730-159		1 of 4	
cage code		22526	

Tous droits strictement réservés. Reproduction ou communication à des tiers interdite sous quelque forme que ce soit sans autorisation écrite du propriétaire. Propriété de FCI. Droits de reproduction FCI.



All rights strictly reserved. Reproduction or issue to third parties in any form whatever is not permitted without written authority from the proprietor. Property of FCI. Copyright FCI.

PRODUCT NUMBER
51730-159-
NOTE: 3



mat'l code		SEE NOTE		tolerances unless otherwise specified		CUSTOMER	
ltr	ecm no.	dr	date	linear	0.X ±0.5	COPY	www.fciconnect.com
A					0.XX ±0.25	projection	
				angles	0.XXX ±0.1		title
				dr	0° ±2°	MM	2P + 24S + 2P
				enr	Warren Du 02/19/09	scale	RIGHT ANGLE SOLDER HEADER
				chr	Warren Du 02/19/09	1:1	product family
				oppd	Gary Hsieh 02/19/09		PwrBlade
					JOSEPH HSIA 02/19/09		code
sheet index	revision sheet						size
							dwg no
							A 51730-159
							213 sheet
							2 of 4

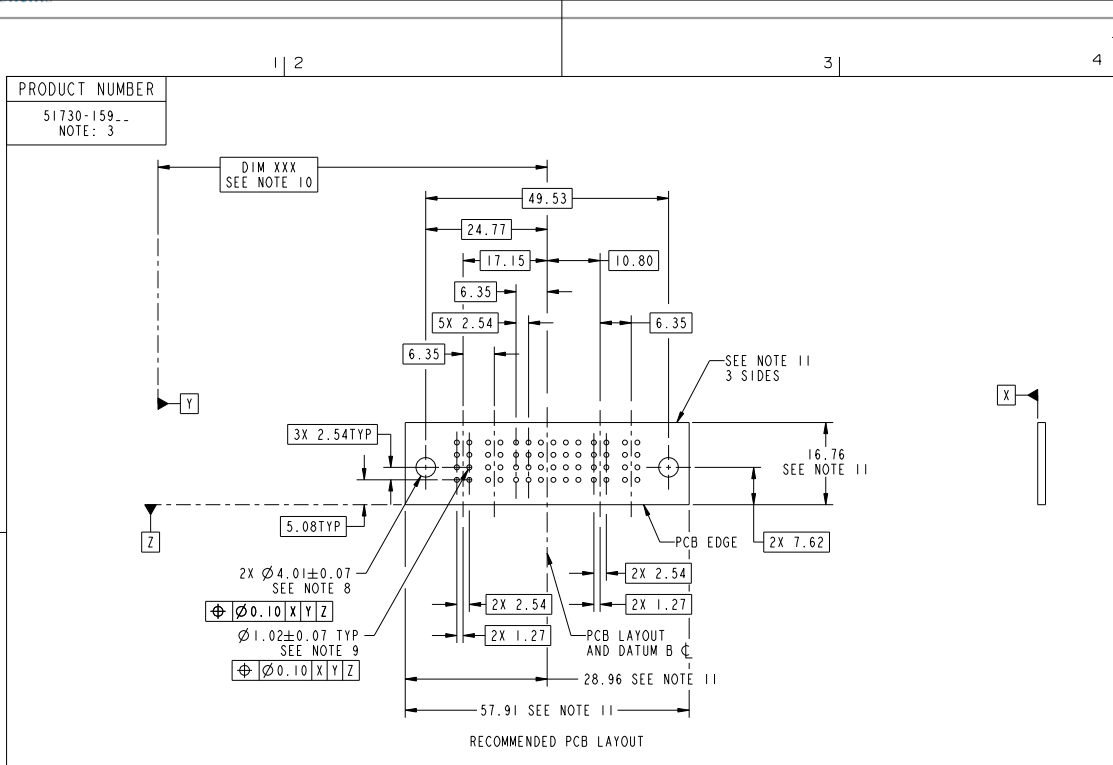
Pro/E

cage code 22526

Tous droits strictement réservés. Reproduction ou communication à des tiers interdite sans aucune forme que ce soit sans autorisation écrite du propriétaire. Propriété de FCI. Droits de reproduction FCI.



All rights strictly reserved. Reproduction or issue to third parties in any form whatever is not permitted without written authority from the proprietor. Property of FCI. Copyright FCI.



mat'l code		SEE NOTE		tolerances unless otherwise specified		CUSTOMER	
ltr	ecm no.	dr	date	linear	0.X ± 0.5	COPY	www.fciconnect.com
A					0.XX ± 0.25	projection	
				angles	0.XXX ± 0.1		title
					0° ± 2°	MM	2P + 24S + 2P
		dr	Warren Du	02/19/09		scale	RIGHT ANGLE SOLDER HEADER
		engr	Warren Du	02/19/09		1:1	product family
		chr	Gary Hsieh	02/19/09			PwrBlade
		oppd	JOSEPH HSIA	02/19/09			code
sheet index	revision sheet						size
							dwg no
							51730-159
							213 sheet
							3 of 4

Pro/E 3 cage code 22526 4

Tous droits strictement réservés. Reproduction ou communication à des tiers interdite sous quelque forme que ce soit sans autorisation écrite du propriétaire. Propriété de FCI. Droits de reproduction FCI.

All rights strictly reserved. Reproduction or issue to third parties in any form whatever is not permitted without written authority from the proprietor. Property of FCI. Copyright FCI.

PRODUCT NUMBER
51730-159_
NOTE: 3

NOTES:

1. DIMENSIONS AND TOLERANCES ARE IN ACCORDANCE WITH ASME Y14.5M, 1994 UNLESS OTHERWISE SPECIFIED.

CONNECTOR NOTES:

- 2. HOUSING MATERIAL: UL 94 V-0 GLASS FILLED HIGH-TEMP THERMOPLASTIC
POWER CONTACT MATERIAL: COPPER ALLOY
SIGNAL PIN MATERIAL: COPPER ALLOY
- 3. SEE ITEM 1 & 2 IN PRINT 10064183 FOR PLATING SPEC OF 51730-159 AND 51730-159LF RESPECTIVELY.

4. MANUFACTURER'S NAME, P/N, AND DATE CODE TO APPEAR ON THIS SURFACE.

5. PRODUCT SPECIFICATION GS-12-149.
APPLICATION SPECIFICATION BUS-20-067.

6. PACKAGED IN TRAYS.

PCB NOTES:

7. ALL HOLE DIAMETERS ARE FINISHED HOLE SIZE.

8. MOUNTING HOLES, WHERE APPLICABLE, ARE UNPLATED.

9. $\varnothing 1.151 \pm 0.025$ DRILLED HOLES PLATED WITH
0.008 MIN SnPb OR Sn OVER 0.03
TO 0.08 Cu PLATING TO ACHIEVE
 $\varnothing 1.02 \pm .07$ HOLE.

10. "DIM XXX" TO BE DETERMINED BY THE CUSTOMER.

11. CONNECTOR KEEP-OUT ZONE.

mat'l code		SEE NOTE		tolerances unless otherwise specified		CUSTOMER	
ltr	ecm no.	dr	date	linear	0.X ± 0.5	COPY	
A					0.XX ± 0.25	projection	www.fciconnect.com
				angles	0.XXX ± 0.1		title
				dr	0° ± 2°		2P + 24S + 2P
				eng	Warren Du 02/19/09	product family	PwrBlade
				chr	Warren Du 02/19/09	size	code
				oppd	Gary Hsieh 02/19/09	dwg no	213
					JOSEPH HSIA 02/19/09	scale	sheet
sheet index	revision sheet					1:1	4 of 4

Pro/E

cage code 22526