

Excellent Integrated System Limited

Stocking Distributor

Click to view price, real time Inventory, Delivery & Lifecycle Information:

[FCI](#)

[51730-172LF](#)

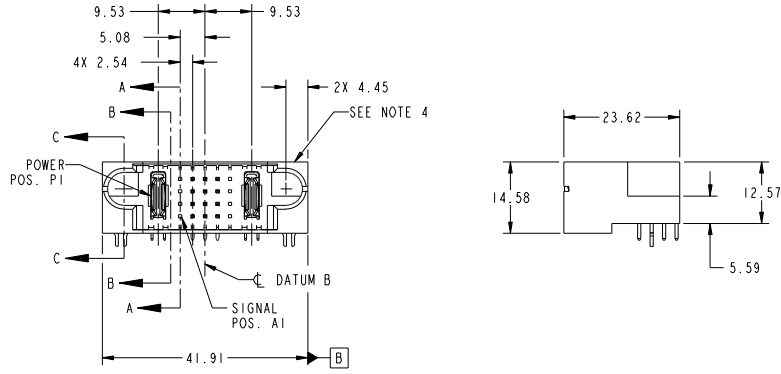
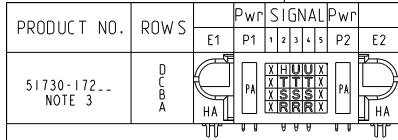
For any questions, you can email us directly:

sales@integrated-circuit.com

Tous droits strictement réservés. Reproduction ou communication à des tiers interdite sous quelque forme que ce soit sans autorisation écrite du propriétaire. Propriété de E.F.C.I. - Droits de reproduction F.C.I.



All rights strictly reserved. Reproduction or issue to third parties in any form whatever is not permitted without written authority from the proprietor. Property of F.C.I. - Copyright F.C.I.



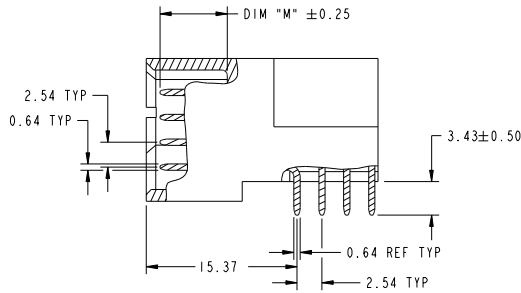
CODE	DIM "M" MATING LENGTH	CONTACT TYPE
T	[6.86]	SIGNAL
S	[6.86]	SIGNAL
R	[6.86]	SIGNAL
U	[6.86]	SIGNAL
PA	[N/A]	POWER
HA	[N/A]	HOLD-DOWN
H	[5.59]	SIGNAL
X	OMITTED	

mat'l code				SEE NOTE		tolerances unless otherwise specified		CUSTOMER	
ltr	ecm no.	dr	date			0.X	±0.5	COPY	www.fciconnect.com
A	DG10-0148	HW	4/21/10	linear		0.XX	±0.25	projection	title
B	DG10-0174	HW	5/10/10			0.XXX	±0.1		IP + 20S + 1P
				angles		0°	±2°		RIGHT ANGLE SOLDER HEADER
				dr	HENRY WANG	4/21/10		product family	PwrBlade
				enr	HENRY WANG	4/21/10		size	213
				chr	PM ZHENG	4/21/10		dwg no	51730-172
				oppd	JOSEPH HSIA	4/21/10		scale	1:1
sheet index	revision sheet	B	B	B	B	B	B		
		1	2	3	4				

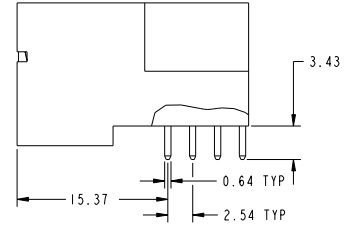
Tous droits strictement réservés. Reproduction ou communication de des tiers interdite sous quelque forme que ce soit sans autorisation écrite du propriétaire. Propriété de FCI. Droits de reproduction FCI.

All rights strictly reserved. Reproduction or issue to third parties in any form whatever is not permitted without written authority from the proprietor. Property of FCI. Copyright FCI.

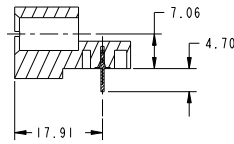
PRODUCT NUMBER
51730-172-
NOTE: 3



BROKEN-OUT SECTION A-A
SCALE 2:1
SIGNAL COLUMN 2 REPLACEMENT



BROKEN-OUT SECTION B-B
SCALE 2:1



SECTION C-C

mat'l code		SEE NOTE		tolerances unless otherwise specified		CUSTOMER	
ltr	ecm no.	dr	date	linear	0.X ±0.5	COPY	www.fciconnect.com
B					0.XX ±0.25	projection	
				angles	0.XXX ±0.1	MM	title
				dr	0° ±2°	scale	IP + 20S + 1P
				enr	HENRY WANG 4/21/10	1:1	RIGHT ANGLE SOLDER HEADER
				chr	PN ZHENG 4/21/10		product family
				oppd	JOSEPH HSIA 4/21/10		PwrBlade
sheet index	revision sheet						size
							dwg no
							51730-172
							code
							213
							sheet
							2 of 4

Pro/E

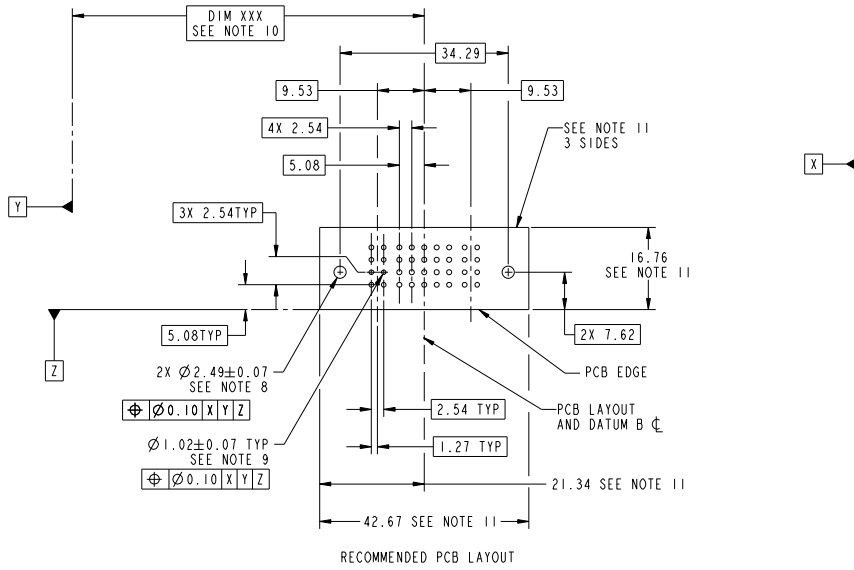
cage code 22526

Tous droits strictement réservés. Reproduction ou communication à des tiers interdite sous quelque forme que ce soit sans autorisation écrite du propriétaire. Propriété de FCI. Droits de reproduction FCI.

All rights strictly reserved. Reproduction or issue to third parties in any form whatever is not permitted without written authority from the proprietor. Property of FCI. Copyright FCI.



PRODUCT NUMBER
51730-172-
NOTE: 3



RECOMMENDED PCB LAYOUT

mat'l code		SEE NOTE		tolerances unless otherwise specified		CUSTOMER	
ltr	ecm no.	dr	date	linear	0.X ± 0.5	COPY	www.fciconnect.com
B					0.XX ± 0.25	projection	
				angles	0.XXX ± 0.1		title
					0° ± 2°	MM	IP + 20S + 1P
		dr	HENRY WANG	4/21/10		product family	PwrBlade
		enr	HENRY WANG	4/21/10		size	213
		chr	PM ZHENG	4/21/10		dwg no	51730-172
		oppd	JOSEPH HSIA	4/21/10		sheet	3 of 4
sheet index	revision sheet					scale	1:1
						code	22526

Tous droits strictement réservés. Reproduction ou communication à des tiers interdite sous quelque forme que ce soit sans autorisation écrite du propriétaire. Propriété de FCI. Droits de reproduction FCI.

All rights strictly reserved. Reproduction or issue to third parties in any form whatever is not permitted without written authority from the proprietor. Property of FCI. Copyright FCI.

PRODUCT NUMBER
51730-172-
NOTE: 3

NOTES:

1. DIMENSIONS AND TOLERANCES ARE IN ACCORDANCE WITH ASME Y14.5M, 1994 UNLESS OTHERWISE SPECIFIED.

CONNECTOR NOTES:

- 2. HOUSING MATERIAL: UL 94 V-0 GLASS FILLED HIGH-TEMP THERMOPLASTIC
POWER CONTACT MATERIAL: COPPER ALLOY
SIGNAL P-IN MATERIAL: COPPER ALLOY
 - 3. SEE ITEM 1 & 2 IN PRINT 10064183 FOR PLATING SPEC OF 51730-172 AND 51730-172LF RESPECTIVELY.
 - 4. MANUFACTURER'S NAME, DATE CODE AND OPTIONAL P/N TO APPEAR ON THIS SURFACE. THE P/N CAN BE OMITTED IF THERE IS NOT ENOUGH SPACE ON THIS SURFACE
 - 5. PRODUCT SPECIFICATION GS-12-149.
APPLICATION SPECIFICATION BUS-20-067.
 - 6. PACKAGED IN TRAYS.
- PCB NOTES:
- 7. ALL HOLE DIAMETERS ARE FINISHED HOLE SIZE.
 - 8. MOUNTING HOLES, WHERE APPLICABLE, ARE UNPLATED.
 - 9. $\varnothing 1.151 \pm 0.025$ DRILLED HOLES PLATED WITH
0.008 MIN SnPb OR Sn OVER 0.03
TO 0.08 Cu PLATING TO ACHIEVE
 $\varnothing 1.02 \pm 0.07$ HOLE.
 - 10. "DIM XXX" TO BE DETERMINED BY THE CUSTOMER.
 - 11. CONNECTOR KEEP-OUT ZONE.

mat'l code		SEE NOTE		tolerances unless otherwise specified		CUSTOMER	
ltr	ecm no.	dr	date	linear	0.X ± 0.5	COPY	
B					0.XX ± 0.25	projection	www.fciconnect.com
				angles	0.XXX ± 0.1		title
				dr	0° ± 2°		IP + 20S + 1P RIGHT ANGLE SOLDER HEADER
				enr	HENRY WANG 4/21/10	product family	PwrBlade
				chr	HENRY WANG 4/21/10	size	code
				oppd	PN ZHENG 4/21/10	dwg no	213
					JOSEPH HSIA 4/21/10	scale	sheet
sheet index	revision sheet					1:1	4 of 4

cage code 22526