

## Excellent Integrated System Limited

Stocking Distributor

Click to view price, real time Inventory, Delivery & Lifecycle Information:

[FCI](#)

[51730-181LF](#)

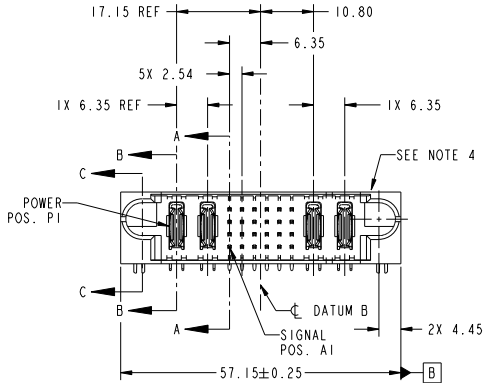
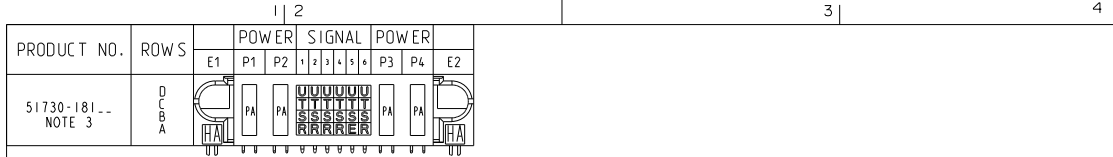
For any questions, you can email us directly:

[sales@integrated-circuit.com](mailto:sales@integrated-circuit.com)

Tous droits strictement réservés. Reproduction ou communication à des tiers interdite sous quelque forme que ce soit sans autorisation écrite du propriétaire. Propriété de FCI. Droits de reproduction FCI.



All rights strictly reserved. Reproduction or issue to third parties in any form whatever is not permitted without written authority from the proprietor. Property of FCI. Copyright FCI.



CODE	DIM "M" MATING LENGTH	CONTACT TYPE
U	[6.86]	SIGNAL
T	[6.86]	SIGNAL
S	[6.86]	SIGNAL
R	[6.86]	SIGNAL
PA	[N/A]	POWER
HA	[N/A]	HOLD-DOWN
E	[5.59]	SIGNAL

mat'l code				SEE NOTE		tolerances unless otherwise specified	
ltr	ecn no.	dr	date			0.X ±0.5	
A	DG10-0304	JW	08/24/10	linear		0.XX ±0.25	
				angles		0.XXX ±0.1	
				dr	JULIA WANG	08/20/10	
				enr	JULIA WANG	08/20/10	
				chr	PM ZHENG	08/20/10	
				oprd	JOSEPH HSIA	08/20/10	
sheet index	revision sheet	A	A	A	A	A	
		1	2	3	4		

CUSTOMER		FCI	
www.fciconnect.com		www.fciconnect.com	
COPY	projection	title	2P + 24S + 2P RIGHT ANGLE SOLDER HEADER
MM	scale: 1:1	product family	PwrBlade
size	A	dwg no	51730-181
		code	213
		sheet	1 of 4

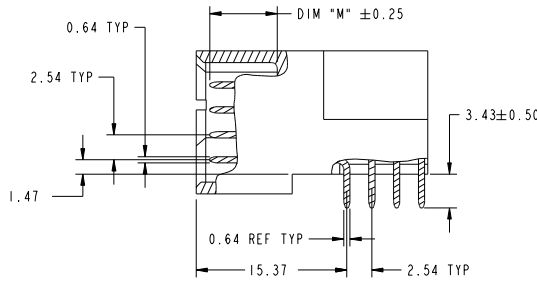
cage code 22526

Tous droits strictement réservés. Reproduction ou communication à des tiers interdite sous quelque forme que ce soit sans autorisation écrite du propriétaire. Propriété de FCI. Droits de reproduction FCI.

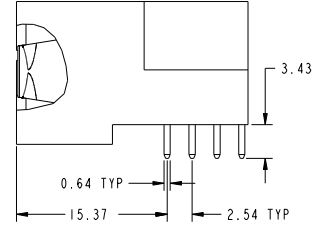
All rights strictly reserved. Reproduction or issue to third parties in any form whatever is not permitted without written authority from the proprietor. Property of FCI. Copyright FCI.



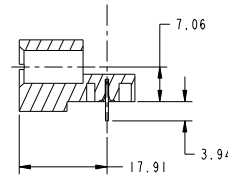
PRODUCT NUMBER  
51730-181...  
NOTE: 3



BROKEN-OUT SECTION A-A  
SCALE 2:1



BROKEN-OUT SECTION B-B  
SCALE 2:1



SECTION C-C

mat'l code		SEE NOTE		tolerances unless otherwise specified		CUSTOMER	
ltr	ecm no.	dr	date	linear	0.X ±0.5	www.fciconnect.com	
A					0.XX ±0.25	COPY	
				angles	0.XXX ±0.1	projection	
				dr	0° ±2°	MM	
				enr	JULIA WANG 08/20/10	product family PwrBlade	
				chr	PW ZHENG 08/20/10	size	
				oppd	JOSEPH HSIA 08/20/10	dwg no	
sheet index	revision sheet					scale 1:1	
						A 51730-181	
						code 213 sheet 2 of 4	
						cage code 22526	

Pro/E

PDM: Rev:A

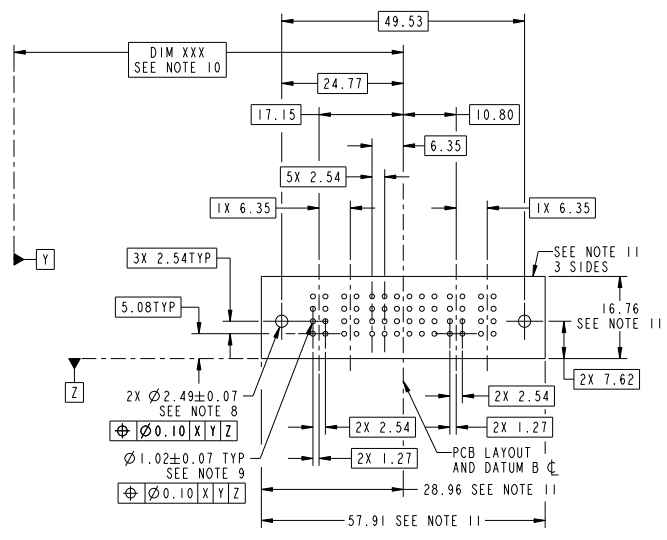
STATUS: Released

Printed: Dec 20, 2010

Tous droits strictement réservés. Reproduction ou communication à des tiers interdite sous quelque forme que ce soit sans autorisation écrite du propriétaire. Propriété de FCI. Droits de reproduction FCI.

All rights strictly reserved. Reproduction or issue to third parties in any form whatever is not permitted without written authority from the proprietor. Property of FCI. Copyright FCI.

PRODUCT NUMBER  
51730-181...  
NOTE: 3



RECOMMENDED PCB LAYOUT

mat'l code		SEE NOTE		tolerances unless otherwise specified		CUSTOMER	
ltr	ecm no.	dr	date	linear	0.X ±0.5	COPY	www.fciconnect.com
A				angles	0.XX ±0.25	projection	
					0.XXX ±0.1	MM	title
				dr	0° ±2°	scale	2P + 24S + 2P
				enr	JULIA WANG 08/20/10	1:1	RIGHT ANGLE SOLDER HEADER
				chr	JULIA WANG 08/20/10		product family
				oppd	PN ZHENG 08/20/10		PwrBlade
					JOSEPH HSIA 08/20/10		code
sheet index	revision sheet						size
							dwg no
							51730-181
							213 sheet
							3 of 4

cage code 22526

Tous droits strictement réservés. Reproduction ou communication à des tiers interdite sous quelque forme que ce soit sans autorisation écrite du propriétaire. Propriété de FCI. Droits de reproduction FCI.

All rights strictly reserved. Reproduction or issue to third parties in any form whatever is not permitted without written authority from the proprietor. Property of FCI. Copyright FCI.

PRODUCT NUMBER  
 51730-181..  
 NOTE: 3

NOTES:

1. DIMENSIONS AND TOLERANCES ARE IN ACCORDANCE WITH ASME Y14.5M, 1994 UNLESS OTHERWISE SPECIFIED.

CONNECTOR NOTES:

- 2. HOUSING MATERIAL: UL 94 V-0 GLASS FILLED HIGH-TEMP THERMOPLASTIC  
 POWER CONTACT MATERIAL: COPPER ALLOY  
 SIGNAL PIN MATERIAL: COPPER ALLOY
  - 3. SEE ITEM 1 & 2 IN PRINT 10064183 FOR PLATING SPEC OF 51730-181 AND 51730-181LF RESPECTIVELY.
  - 4. MANUFACTURER'S NAME, DATE CODE AND OPTIONAL P/N TO APPEAR ON THIS SURFACE. THE P/N CAN BE OMITTED IF THERE IS NOT ENOUGH SPACE ON THIS SURFACE.
  - 5. PRODUCT SPECIFICATION GS-12-149.  
 APPLICATION SPECIFICATION BUS-20-067.
  - 6. PACKAGED IN TRAYS.
- PCB NOTES:
- 7. ALL HOLE DIAMETERS ARE FINISHED HOLE SIZE.
  - 8. MOUNTING HOLES, WHERE APPLICABLE, ARE UNPLATED.
  - 9.  $\varnothing 1.151 \pm 0.025$  DRILLED HOLES PLATED WITH  
 0.008 MIN SnPb OR Sn OVER 0.03  
 TO 0.08 Cu PLATING TO ACHIEVE  
 $\varnothing 1.02 \pm 0.07$  HOLE.
  - 10. "DIM XXX" TO BE DETERMINED BY THE CUSTOMER.
  - 11. CONNECTOR KEEP-OUT ZONE.

SEE NOTE				tolerances unless otherwise specified		CUSTOMER	
ltr	ecm no.	dr	date	linear	0.X ± 0.5	COPY	
A					0.XX ± 0.25	projection	www.fciconnect.com
				angles	0.XXX ± 0.1		title
				dr	0° ± 2°	MM	2P + 24S + 2P
				enr	JULIA WANG 08/20/10	scale	RIGHT ANGLE SOLDER HEADER
				chr	JULIA WANG 08/20/10	product family	PwrBlade
				oppd	PN ZHENG 08/20/10	size	code
					JOSEPH HSIA 08/20/10	dwg no	213
sheet index	revision sheet					A	4 of 4
						51730-181	sheet
							4 of 4

cage code 22526