

Excellent Integrated System Limited

Stocking Distributor

Click to view price, real time Inventory, Delivery & Lifecycle Information:

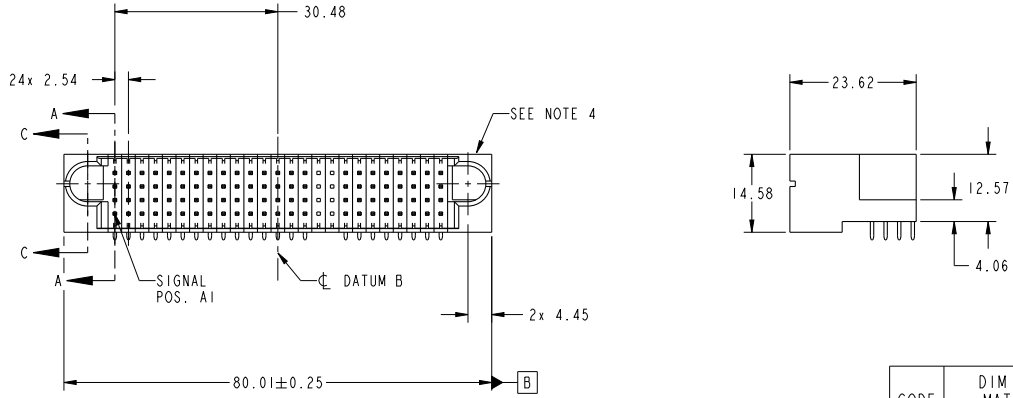
[FCI](#)

[51730-223LF](#)

For any questions, you can email us directly:

sales@integrated-circuit.com

PRODUCT NO.	ROWS	SIGNAL																										
		E1	1	2	3	4	5	6	7	8	9	10	11	12	13	14	15	16	17	18	19	20	21	22	23	24	25	E2
51730-223- NOTE 3	D C B A	U	U	U	U	U	U	U	U	U	U	U	U	U	U	U	U	U	U	U	U	X	U	U	U	U	U	
		T	T	T	T	T	T	T	T	T	T	T	T	T	T	T	T	T	T	T	T	T	X	T	T	T	T	T
		S	S	S	S	S	S	S	S	S	S	S	S	S	S	S	S	S	S	S	S	S	X	S	S	S	S	S
		R	R	R	R	R	R	R	R	R	R	R	R	R	R	R	R	R	R	R	R	X	R	R	R	R	R	



CODE	DIM "M" MATING LENGTH	CONTACT TYPE
U	[6.86]	SIGNAL
T	[6.86]	SIGNAL
S	[6.86]	SIGNAL
R	[6.86]	SIGNAL
X	[N/A]	OMITTED

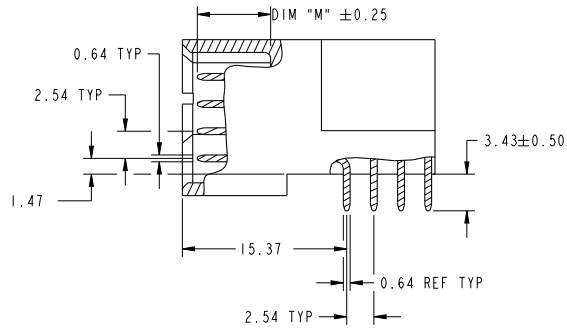
spec ref	*	dr	Ruan MT	2014/02/26	projection	MM	size	A4	scale	1:1
tolerance std	ASME Y14.5	eng	Ruan MT	2014/04/13			ecn no	-	rel level	Released
TOLERANCES UNLESS OTHERWISE SPECIFIED		chr	-	appr						
surface	ASME Y14.5				product family	PwrBlade	dwg no	51730-223	rev	A
	linear	0.X	±0.5			100S				
		0.XX	±0.25			RIGHT ANGLE XXX HEADER				
		0.XXX	±0.1			cat. no.	-	Product - Customer Drw	sheet 1 of 4	
	angular	0°	±2°							



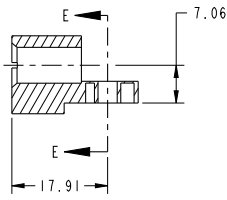
Copyright FCI.

Print File - REV C - 2009-08-09

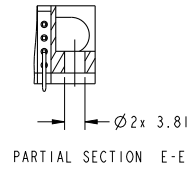
PRODUCT NUMBER
51730-223...
NOTE: 3



BROKEN-OUT SECTION A-A
SCALE 2:1



SECTION C-C



PARTIAL SECTION E-E

dr	Ruan MT	2014/02/26	projection	MM	size	A4	scale	1:1
eng	Ruan MT	2014/04/13			ecn no	-	rel level	Released
chr	-	-			product family	PwrBlade		
appr	Pei-Ming Zheng	2014/04/13			title	100S		rev
www.fci.com			cat. no.		-		Product - Customer Drw	sheet 2 of 4

Prod File - REV C - 2009-06-09

PDS: Rev :A

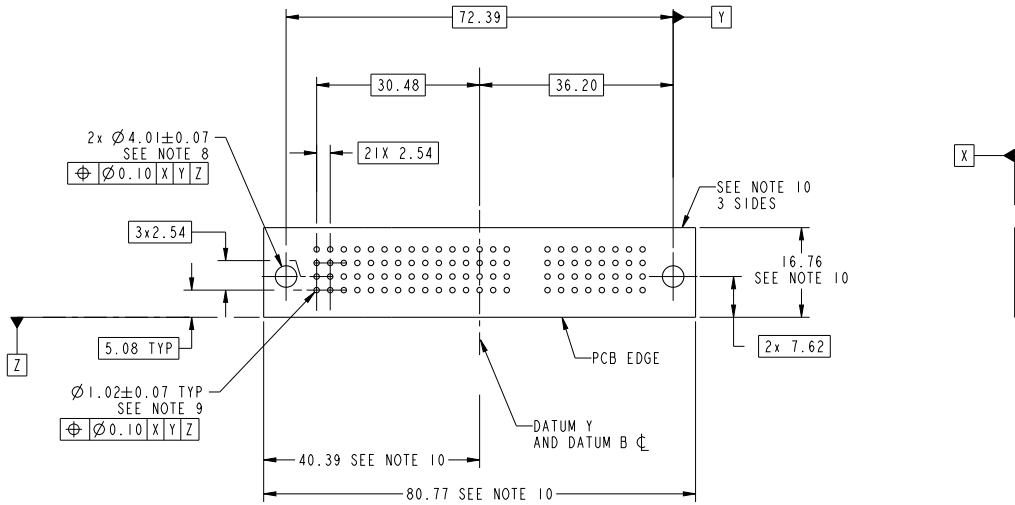
STATUS:Released

Printed: Apr 14, 2014



Copyright FCI.

PRODUCT NUMBER
51730-223-
NOTE: 3



RECOMMENDED PCB LAYOUT

dr	Ruan MT	2014/02/26	projection	MM	size	A4	scale	1:1
eng	Ruan MT	2014/04/13			ecn no	-	rel level	
chr	-	-			product family	PwrBlade	Released	
appr	Pei-Ming Zheng	2014/04/13				title	100S	rev
www.fci.com			cat. no.			-	Product - Customer Drw	sheet 3 of 4

Print File - REV C - 2009-08-09

PRODUCT NUMBER

51730-223-
NOTE: 3

NOTES:

1. DIMENSIONS AND TOLERANCES ARE IN ACCORDANCE WITH ASME Y14.5M, 1994 UNLESS OTHERWISE SPECIFIED.

CONNECTOR NOTES:

2. HOUSING MATERIAL: UL 94 V-0 GLASS FILLED HIGH-TEMP THERMOPLASTIC
POWER CONTACT MATERIAL: COPPER ALLOY
SIGNAL PIN MATERIAL: COPPER ALLOY

3. SEE ITEM 1 & 2 IN PRINT 10064183 FOR PLATING SPEC OF 51730-223 AND 51730-223LF RESPECTIVELY.

4. MANUFACTURER'S NAME, DATE CODE AND OPTIONAL P/N TO APPEAR ON THIS SURFACE. THE MARK CAN BE OMITTED IF THERE IS NOT ENOUGH SPACE ON THIS SURFACE.

5. PRODUCT SPECIFICATION GS-12-149.
APPLICATION SPECIFICATION BUS-20-067.

6. PACKAGED IN TRAYS.

PCB NOTES:

7. ALL HOLE DIAMETERS ARE FINISHED HOLE SIZE.

8. MOUNTING HOLES, WHERE APPLICABLE, ARE UNPLATED.

9. $\varnothing 1.151 \pm 0.025$ DRILLED HOLES PLATED WITH
0.008 MIN SnPb OR Sn OVER 0.03
TO 0.08 Cu PLATING TO ACHIEVE
 $\varnothing 1.02 \pm 0.07$ HOLE.

10. CONNECTOR KEEP-OUT ZONE.

dr	Ruan MT	2014/02/26	projection		MM	size	A4	scale	1:1		
eng	Ruan MT	2014/04/13	ecn no			-					
chr	-	-	product family	PwrBlade	rel level	Released					
appr	Pei-Ming Zheng	2014/04/13			title	100S		dwg no	51730-223	rev	A
www.fci.com		cat. no.	-		Product - Customer Drw			sheet 4 of 4			

Print File - REV C - 2009-06-09



Copyright FCI.