

Excellent Integrated System Limited

Stocking Distributor

Click to view price, real time Inventory, Delivery & Lifecycle Information:

[FCI](#)

[51733-010LF](#)

For any questions, you can email us directly:

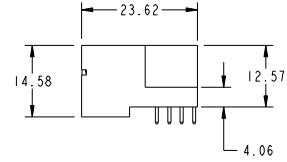
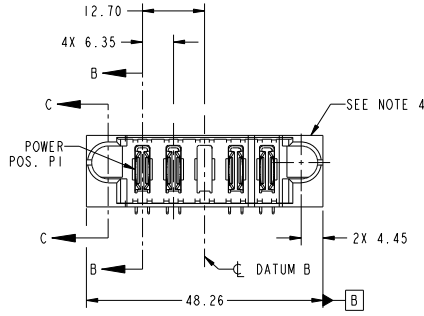
sales@integrated-circuit.com

Tous droits strictement réservés. Reproduction ou communication de des tiers interdite sous quelque forme que ce soit sans autorisation écrite du propriétaire. Propriété de C.FCI. Droits de reproduction FCI.

All rights strictly reserved. Reproduction or issue to third parties in any form whatever is not permitted without written authority from the proprietor. Property of FCI. Copyright FCI.



PRODUCT NO.	POWER						
	E1	P1	P2	P3	P4	P5	E2
51733-010-- NOTE 3							



CODE	DIM "M" MATING LENGTH	CONTACT TYPE
X	OMITTED	OMITTED
PA	[N/A]	POWER

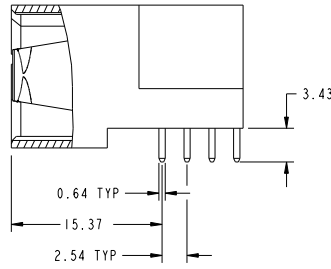
mat'l code				SEE NOTE	tolerances unless otherwise specified	CUSTOMER	FCI
lfr	ecm no.	dr	date	linear	0.X ±0.5	COPY	www.fciconnect.com
A	DG10-0102	WD	03/15/10	angles	0.XX ±0.25	projection	
				dr	0.XXX ±0.1	MM	title
				engr	0° ±2°	scale	SP
				chr	Warren Du 03/11/10	1:1	RIGHT ANGLE STB HEADER
				oppd	Warren Du 03/11/10		product family
					PM ZHENG 03/11/10		PwrBlade
					JOSEPH HSIA 03/11/10		code
sheet index	revision sheet	A	A	A	A		size
		1	2	3	4		dwg no
							51733-010
							code
							213
							sheet
							1 of 4

cage code 22526

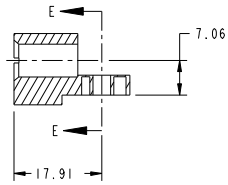
Tous droits strictement réservés. Reproduction ou communication à des tiers interdite sous quelque forme que ce soit sans autorisation écrite du propriétaire. Propriété de FCI. Droits de reproduction FCI.

All rights strictly reserved. Reproduction or issue to third parties in any form whatever is not permitted without written authority from the proprietor. Property of FCI. Copyright FCI.

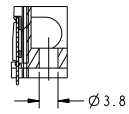
PRODUCT NUMBER
51733-010-
NOTE: 3



BROKEN-OUT SECTION B-B
SCALE 2:1



SECTION C-C



PARTIAL SECTION E-E

mat'l code		SEE NOTE		tolerances unless otherwise specified		CUSTOMER	
ltr	ecm no.	dr	date	linear	0.X ±0.5	COPY	www.fciconnect.com
A					0.XX ±0.25	projection	
				angles	0.XXX ±0.1		title
				dr	0° ±2°	MM	SP
				enr	Warren Du 03/11/10	scale	RIGHT ANGLE STB HEADER
				chr	Warren Du 03/11/10	1:1	product family
				oppd	PM ZHENG 03/11/10		PwrBlade
					JOSEPH HSIA 03/11/10		code
sheet index	revision sheet						size
							dwg no
							51733-010
							213
							sheet
							2 of 4

Pro/E

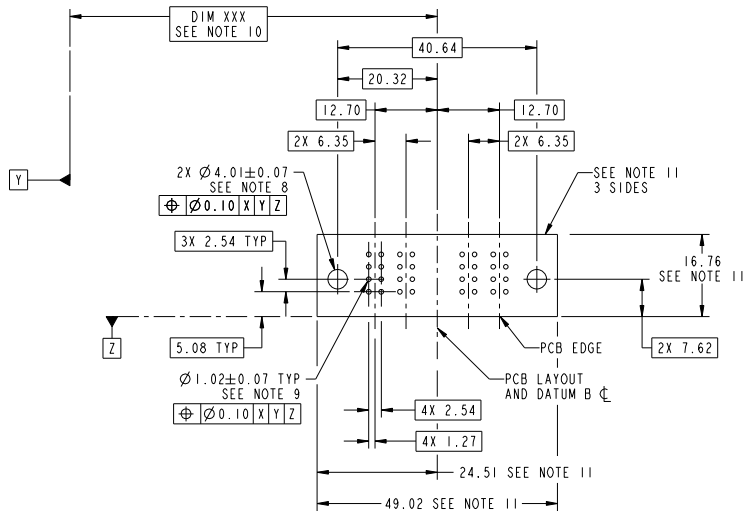
cage code 22526

Tous droits strictement réservés. Reproduction ou communication à des tiers interdite sous quelque forme que ce soit sans autorisation écrite du propriétaire. Propriété de FCI. Droits de reproduction FCI.

All rights strictly reserved. Reproduction or issue to third parties in any form whatever is not permitted without written authority from the proprietor. Property of FCI. Copyright FCI.



PRODUCT NUMBER
51733-010-
NOTE: 3



RECOMMENDED PCB LAYOUT

mat'l code		SEE NOTE		tolerances unless otherwise specified		CUSTOMER	
ltr	ecn no.	dr	date	linear	0.X ± 0.5	COPY	www.fciconnect.com
A					0.XX ± 0.25	projection	title
				angles	0.XXX ± 0.1		SP
				dr	0° ± 2°	MM	RIGHT ANGLE STB HEADER
				enr	Warren Du 03/11/10	scale	product family PwrBlade code
				chr	Warren Du 03/11/10	1:1	size dwg no
				oppd	PM ZHENG 03/11/10		A 51733-010
sheet index	revision sheet				JOSEPH HSIA 03/11/10		213 sheet 3 of 4

Pro/E

cage code 22526

Tous droits strictement réservés. Reproduction ou communication à des tiers interdite sous quelque forme que ce soit sans autorisation écrite du propriétaire. Propriété de FCI. Droits de reproduction FCI.

All rights strictly reserved. Reproduction or issue to third parties in any form whatever is not permitted without written authority from the proprietor. Property of FCI. Copyright FCI.

PRODUCT NUMBER
51733-010-
NOTE: 3

NOTES:

1. DIMENSIONS AND TOLERANCES ARE IN ACCORDANCE WITH ASME Y14.5M, 1994 UNLESS OTHERWISE SPECIFIED.

CONNECTOR NOTES:

- 2. HOUSING MATERIAL: UL 94 V-0 GLASS FILLED HIGH-TEMP THERMOPLASTIC
POWER CONTACT MATERIAL: COPPER ALLOY
SIGNAL P-IN MATERIAL: COPPER ALLOY
 - 3. SEE ITEM 1 & 2 IN PRINT 10064183 FOR PLATING SPEC OF 51733-010; 51733-010LF PRESPECTIVELY
 - 4. MANUFACTURER'S NAME, DATE CODE AND OPTIONAL P/N TO APPEAR ON THIS SURFACE. THE P/N CAN BE OMITTED IF THERE IS NOT ENOUGH SPACE ON THIS SURFACE.
 - 5. PRODUCT SPECIFICATION GS-12-149.
APPLICATION SPECIFICATION BUS-20-067.
 - 6. PACKAGED IN TRAYS.
- PCB NOTES:
- 7. ALL HOLE DIAMETERS ARE FINISHED HOLE SIZE.
 - 8. MOUNTING HOLES, WHERE APPLICABLE, ARE UNPLATED.
 - 9. $\varnothing 1.151 \pm 0.025$ DRILLED HOLES PLATED WITH
0.008 MIN SnPb OR Sn OVER 0.03
TO 0.08 Cu PLATING TO ACHIEVE
 $\varnothing 1.02 \pm .07$ HOLE.
 - 10. "DIM XXX" TO BE DETERMINED BY THE CUSTOMER.
 - 11. CONNECTOR KEEP-OUT ZONE.

mat'l code				SEE NOTE		tolerances unless otherwise specified		CUSTOMER	
ltr	ecm no.	dr	date	linear		0.X ± 0.5	projection	www.fciconnect.com	
A						0.XX ± 0.25	MM	SP	
				angles		0.XXX ± 0.1	RIGHT ANGLE STB HEADER		
				dr	Warren Du	03/11/10	product family	PwrBlade	
				enr	Warren Du	03/11/10	size	dwg no	
				chr	PM ZHENG	03/11/10	A	51733-010	
				oppd	JOSEPH HSIA	03/11/10	scale	1:1	
sheet index	revision sheet							code	
								213 sheet 4 of 4	

cage code 22526