

## Excellent Integrated System Limited

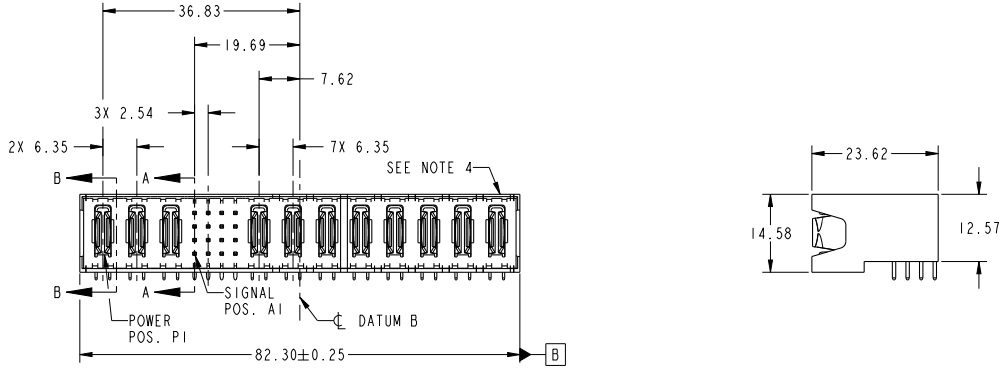
Stocking Distributor

Click to view price, real time Inventory, Delivery & Lifecycle Information:

[FCI](#)  
[51734-007LF](#)

For any questions, you can email us directly:  
[sales@integrated-circuit.com](mailto:sales@integrated-circuit.com)

PRODUCT NO.	ROWS	POWER			SIGNAL				POWER						
		P1	P2	P3	1	2	3	4	P4	P5	P6	P7	P8	P9	P10
51734-007-- NOTE 3	D C B A	PA	PA	PA	UUUU	TTTT	SSSS	RRRR	PA	PA	PA	PA	PA	PA	PA



CODE	DIM "M" MATING LENGTH	CONTACT TYPE
U	[6.86]	SIGNAL
T	[6.86]	SIGNAL
S	[6.86]	SIGNAL
R	[6.86]	SIGNAL
PA	[N/A]	POWER
E	[5.59]	SIGNAL

spec ref	-	dr	Julia Wang	20120502	projection	MM	size	A4	scale	1:1																							
tolerance std	SEE NOTES	eng	Julia Wang	20120515			ecn no	-	rel level	Released																							
TOLERANCES UNLESS OTHERWISE SPECIFIED		chr	-	-			product family	PwrBlade	rev	A																							
surface	<table border="1"> <tr> <td>linear</td> <td>0.X</td> <td>±0.5</td> </tr> <tr> <td></td> <td>0.XX</td> <td>±0.25</td> </tr> <tr> <td></td> <td>0.XXX</td> <td>±0.1</td> </tr> <tr> <td>angular</td> <td>0°</td> <td>±2°</td> </tr> </table>	linear	0.X	±0.5		0.XX	±0.25		0.XXX	±0.1	angular	0°	±2°	appr	Pei-Ming Zheng	20120518			<table border="1"> <tr> <td>part no</td> <td>3P + 16S + 8P</td> </tr> <tr> <td>type</td> <td>RIGHT ANGLE SOLDER HEADER</td> </tr> </table>	part no	3P + 16S + 8P	type	RIGHT ANGLE SOLDER HEADER	<table border="1"> <tr> <td>cat. no.</td> <td>-</td> </tr> <tr> <td>Product - Customer Drw</td> <td>-</td> </tr> </table>	cat. no.	-	Product - Customer Drw	-	<table border="1"> <tr> <td>dwg no</td> <td>51734-007</td> </tr> <tr> <td>sheet</td> <td>1 of 4</td> </tr> </table>	dwg no	51734-007	sheet	1 of 4
linear	0.X	±0.5																															
	0.XX	±0.25																															
	0.XXX	±0.1																															
angular	0°	±2°																															
part no	3P + 16S + 8P																																
type	RIGHT ANGLE SOLDER HEADER																																
cat. no.	-																																
Product - Customer Drw	-																																
dwg no	51734-007																																
sheet	1 of 4																																

Print File - REV C - 2009-08-09

1

2

3

PDS: Rev :A

STATUS:Released

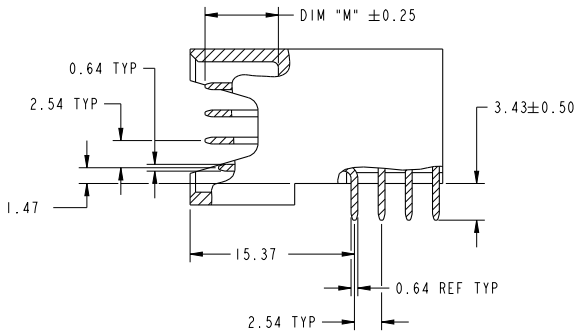
Printed: May 18, 2012



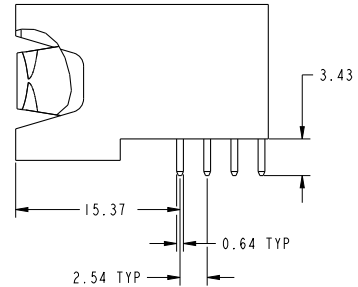
Copyright FCI.

PRODUCT NUMBER

51734-007...  
NOTE: 3



BROKEN-OUT SECTION A-A  
SCALE 2:1



BROKEN-OUT SECTION B-B  
SCALE 2:1

dr	Julia Wang	2012/05/02	projection	MM	size	A4	scale	1:1			
eng	Julia Wang	2012/05/15			ecn no	-	rel level				
chr	-	-			product family	PwrBlade	Released				
appr	Pei-Ming Zheng	2012/05/18				title	3P + 16S + 8P	dwg no	51734-007	rev	A
www.fci.com			cat. no.	-	Product - Customer Drw			sheet 2 of 4			

Print File - REV C - 2009-06-09

PDS: Rev :A

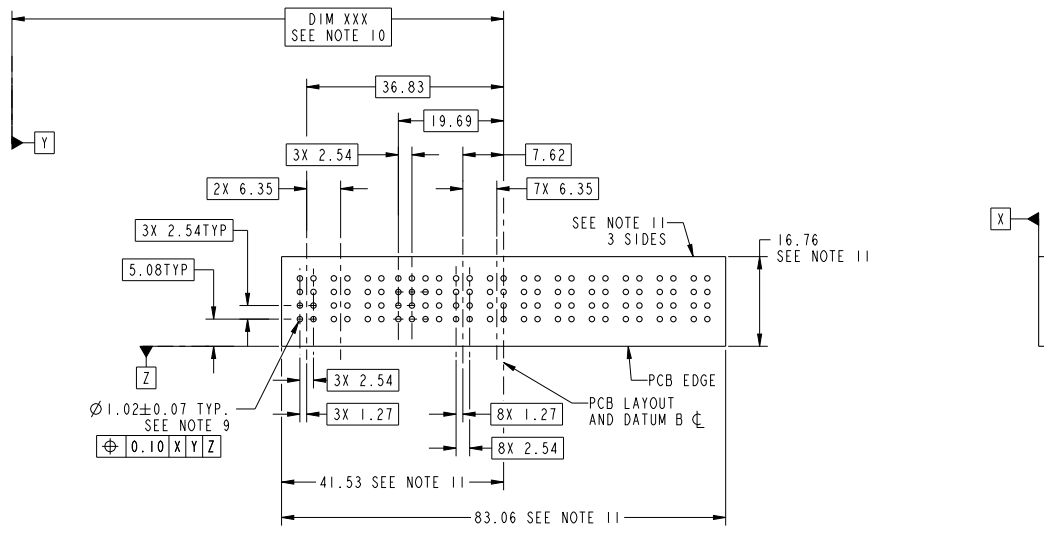
STATUS:Released

Printed: May 18, 2012



Copyright FCI.

PRODUCT NUMBER  
51734-007...  
NOTE: 3



RECOMMENDED PCB LAYOUT

dr	Julia Wang	20120502	projection	MM	size	A4	scale	1:1
eng	Julia Wang	20120515			ecn no	-	rel level	
chr	-	-			Released			
appr	Pei-Ming Zheng	20120518	product family	PwrBlade				
www.fci.com				3P + 16S + 8P	dwg no	51734-007		rev
	RIGHT ANGLE SOLDER HEADER							A
cat. no.	-			Product - Customer Drw	sheet 3 of 4			

Print File - REV C - 2009-06-09



Copyright FCI.

PRODUCT NUMBER

51734-007-  
NOTE: 3

NOTES:

1. DIMENSIONS AND TOLERANCES ARE IN ACCORDANCE WITH ASME Y14.5M, 1994 UNLESS OTHERWISE SPECIFIED.

CONNECTOR NOTES:

- 2. HOUSING MATERIAL: UL 94 V-0 GLASS FILLED HIGH-TEMP THERMOPLASTIC  
POWER CONTACT MATERIAL: COPPER ALLOY  
SIGNAL PIN MATERIAL: COPPER ALLOY
  - 3. SEE ITEM 1 & 2 IN PRINT 10064183 FOR PLATING SPEC OF 51734-007 AND 51734-007LF RESPECTIVELY.
  - 4. MANUFACTURER'S NAME, DATE CODE AND OPTIONAL P/N TO APPEAR ON THIS SURFACE. THE P/N CAN BE OMITTED IF THERE IS NOT ENOUGH SPACE ON THIS SURFACE.
  - 5. PRODUCT SPECIFICATION GS-12-149.  
APPLICATION SPECIFICATION BUS-20-067.
  - 6. PACKAGED IN TRAYS.
- PCB NOTES:
- 7. ALL HOLE DIAMETERS ARE FINISHED HOLE SIZE.
  - 8. MOUNTING HOLES, WHERE APPLICABLE, ARE UNPLATED.
  - 9.  $\varnothing 1.151 \pm 0.025$  DRILLED HOLES PLATED WITH 0.008 MIN SnPb OR Sn OVER 0.03 TO 0.08 Cu PLATING TO ACHIEVE  $\varnothing 1.02 \pm 0.07$  HOLE.
  - 10. "DIM XXX" TO BE DETERMINED BY THE CUSTOMER.
  - 11. CONNECTOR KEEP-OUT ZONE.

dr	Julia Wang	2012/05/02	projection		MM	size	A4	scale	1:1	
eng	Julia Wang	2012/05/15	chr			-	ecn no	-		
appr	Pei-Ming Zheng	2012/05/18	product family	PwrBlade		rel level	Released			
			title	3P + 16S + 8P RIGHT ANGLE SOLDER HEADER		dwg no	51734-007		rev	A
www.fci.com			cat. no.	-			Product - Customer Drw		sheet 4 of 4	

Print File - REV C - 2009-06-09

