

## Excellent Integrated System Limited

Stocking Distributor

Click to view price, real time Inventory, Delivery & Lifecycle Information:

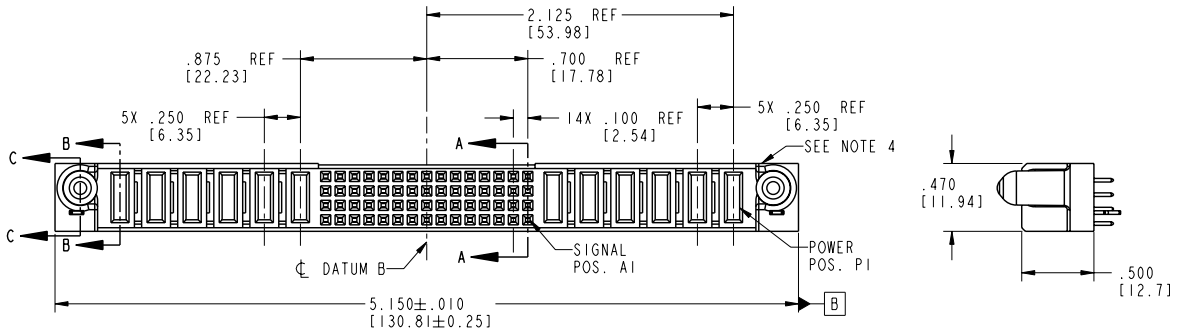
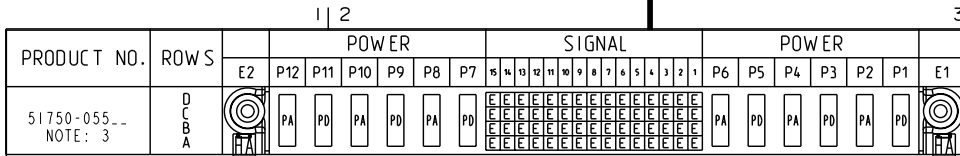
[FCI](#)  
[51750-055](#)

For any questions, you can email us directly:  
[sales@integrated-circuit.com](mailto:sales@integrated-circuit.com)

Tous droits strictement réservés. Reproduction ou communication, o des liens interité sous quelque forme que ce soit sans autorisation écrite du propriétaire. Propriété de c FCI. Droits de reproduction FCI.

**FCI**

All rights strictly reserved. Reproduction or issue to third parties in any form whatever is not permitted without written authority from the proprietor. Property of FCI. Copyright FCI.



CODE	DIM "M" MATING LENGTH	CONTACT TYPE
E	N/A [N/A]	SIGNAL
PA	.042 [1.07]	POWER
PD	.092 [2.34]	POWER
HA	N/A [N/A]	HOLD-DOWN

mat'l code		SEE NOTE 2		tolerances unless otherwise specified		CUSTOMER	
lir	ecm no.	dr	date	linear	angles	projection	copy
A	V04-0071	TAB	01/26/04	.XX±.01/0.X±0.3	0°±2°	INCH/MM	title
B	D605-0504	SuoJM	11/29/05	.XXX±.005/0.XX±0.13		scale	6P + 60S + 6P
				.XXXX±.0020/0.XX±0.051		1:1	VERTICAL SOLDER RECEPT
							product family
							PwrBlade
							code
							213
							sheet
							1 of 4
sheet index	revision sheet	B	B	B	B		
		1	2	3	4		

Pro/E

cage code

22526

**PDM: Rev:B**

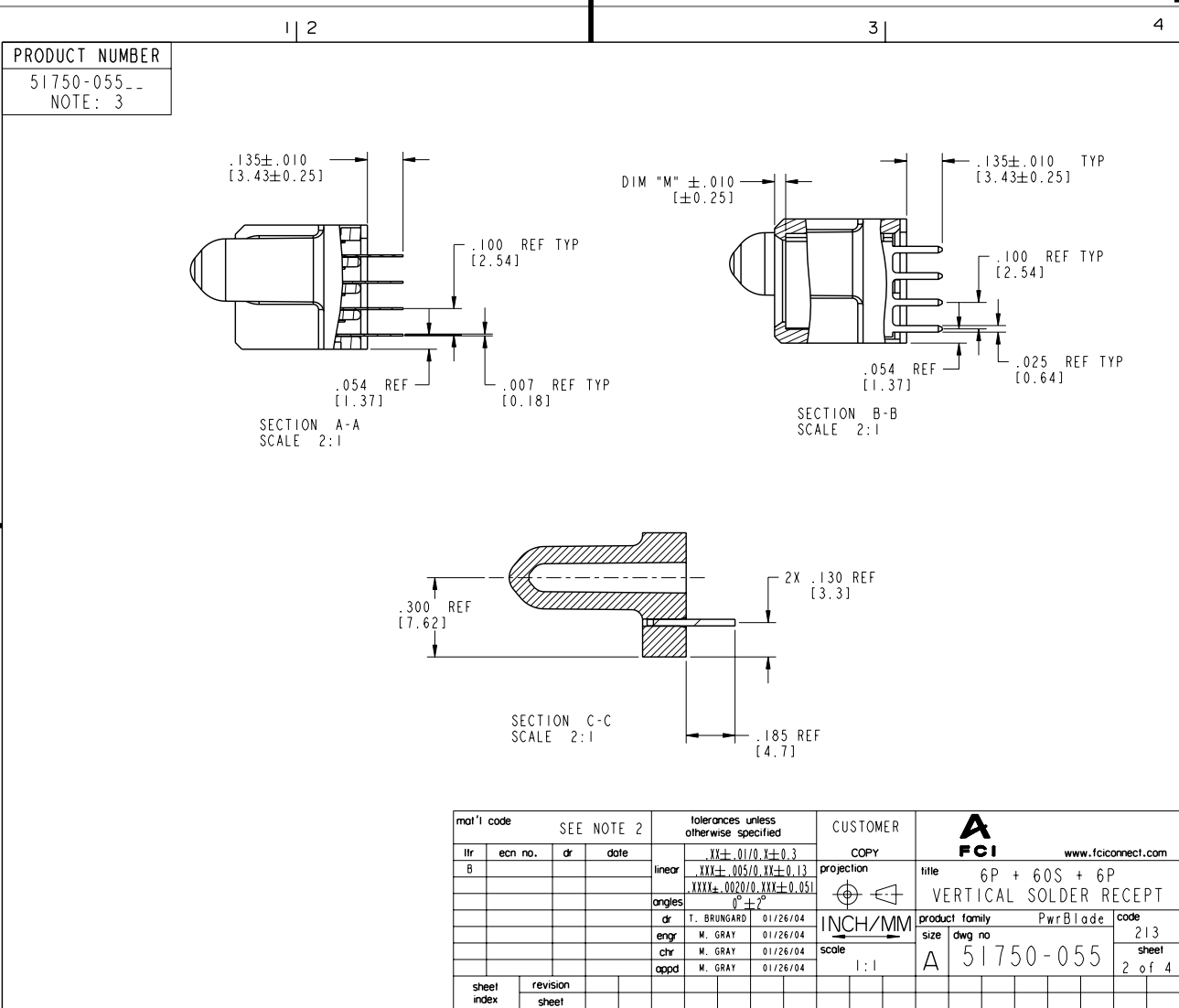
STATUS: **Released**

Printed: Dec 20, 2010

Tous droits strictement réservés. Reproduction ou communication, o des tiers interdite sous quelque forme que ce soit sans autorisation écrite du propriétaire. Propriété de c FCI. Droits de reproduction FCI.

**FCI**

All rights strictly reserved. Reproduction or issue to third parties in any form whatever is not permitted without written authority from the proprietor. Property of FCI. Copyright FCI.



PRODUCT NUMBER  
51750-055  
NOTE: 3

mat'l code		SEE NOTE 2		tolerances unless otherwise specified		CUSTOMER		<b>FCI</b> www.fciconnect.com	
lir	ecn no.	dr	date	linear	XX ± .01/0, Y ± 0.3	projection	COPY	title	6P + 60S + 6P
B				linear	.XXX ± .005/0, YY ± 0.13	INCH/MM		VERTICAL SOLDER RECEPT	
				angles	XXXX ± .002/0, YY ± 0.051	scale		product family	PwrBlade
				dr	T. BRUNGARD 01/26/04	1:1		size	213
				engr	M. GRAY 01/26/04			dwg no	51750-055
				chr	M. GRAY 01/26/04			code	213
				appd	M. GRAY 01/26/04			sheet	2 of 4
sheet index	revision sheet							cage code	22526

Pro/E

**PDM: Rev:B**

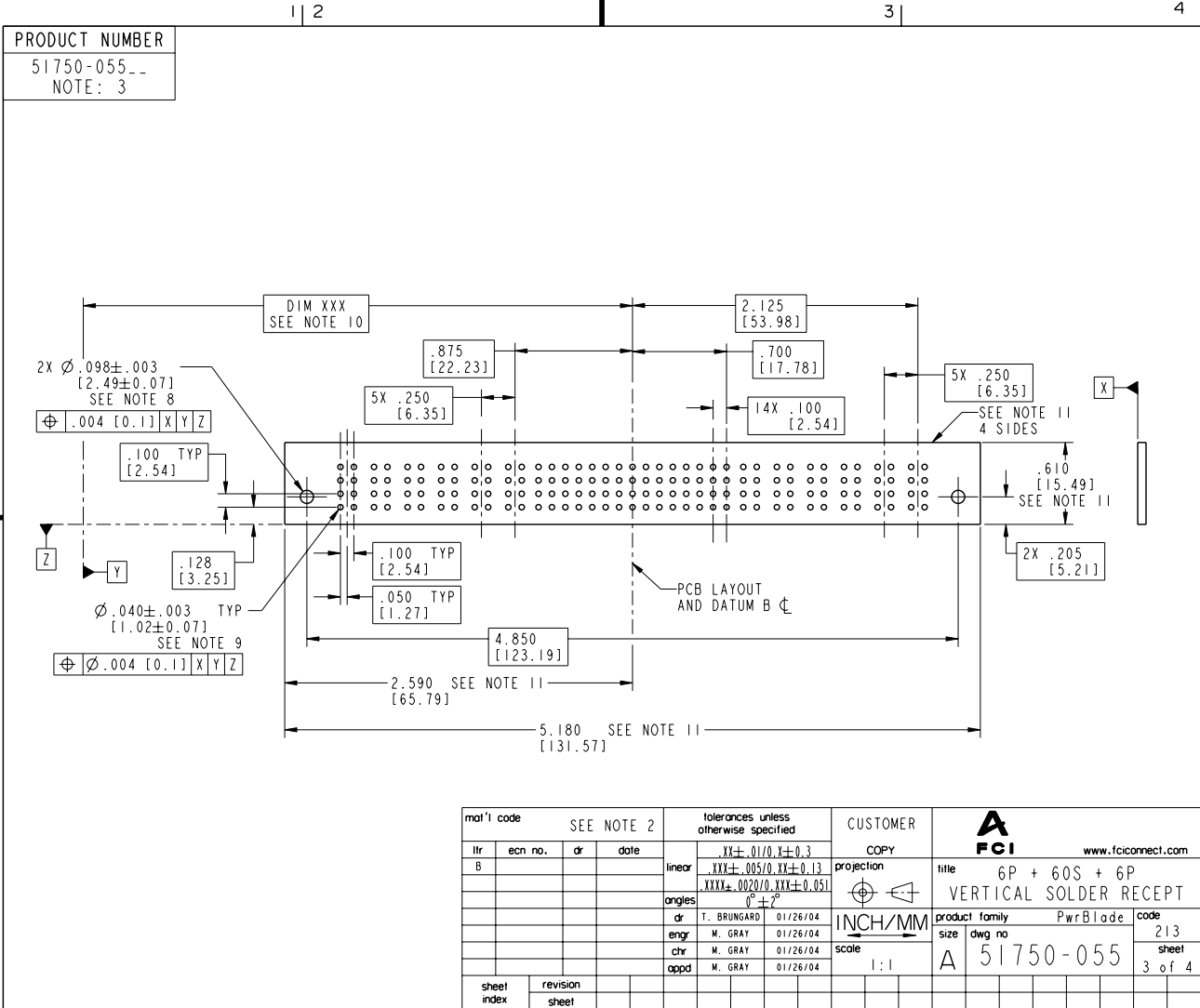
STATUS: **Released**

Printed: Dec 20, 2010

Tous droits strictement réservés. Reproduction ou communication, o des liens interdite sous peine de sanction pénale, sans autorisation écrite du propriétaire. Propriété de c FCI. Droits de reproduction FCI.

**FCI**

All rights strictly reserved. Reproduction or issue to third parties in any form whatever is not permitted without written authority from the proprietor. Property of FCI. Copyright FCI.



Pro/E

cage code 22526

**PDM: Rev:B**

STATUS: **Released**

Printed: Dec 20, 2010

Tous droits strictement réservés. Reproduction ou communication, o des liens intermédiaires sous quelque forme que ce soit sans autorisation écrite du propriétaire. Propriété de e FCI. Droits de reproduction FCI.

**FCI**

All rights strictly reserved. Reproduction or issue to third parties in any form whatever is not permitted without written authority from the proprietor. Property of FCI. Copyright FCI.

1   2	3	4																																																																																																															
<b>PRODUCT NUMBER</b> 51750-055 NOTE: 3																																																																																																																	
NOTES: 1. DIMENSIONS AND TOLERANCES ARE IN ACCORDANCE WITH ASME Y14.5M, 1994 UNLESS OTHERWISE SPECIFIED.  CONNECTOR NOTES: ② HOUSING MATERIAL: UL 94 V-0 GLASS FILLED HIGH-TEMP THERMOPLASTIC POWER CONTACT MATERIAL: COPPER ALLOY SIGNAL PIN MATERIAL: COPPER ALLOY  3. PLATING: 51750-055 Singal Pin:30u"/0.76um Au OVER 50u"/1.27um Ni ON THE CONTACT AREA. AND 100u"/2.54um SnPb PLATING OVER 50u"/1.27um Ni ON THE TERMINATION SECTION. Power Pin:30u"/0.76um Au OVER 50u"/1.27um Ni ON THE CONTACT AREA, AND 100u"/2.54um SnPb PLATING OVER 50u"/1.27um Ni ON THE TERMINATION SECTION.  51750-055LF Singal Pin:30u"/0.76um Au OVER 50u"/1.27um Ni ON THE CONTACT AREA. AND 78u"/2.00um Sn PLATING OVER 50u"/1.27um Ni ON THE TERMINATION SECTION. Power Pin:30u"/0.76um Au OVER 50u"/1.27um Ni ON THE CONTACT AREA, AND 78u"/2.00um Sn PLATING OVER 50u"/1.27um Ni ON THE TERMINATION SECTION.  PART NUMBER 51750-055LF MEETS EUROPEAN UNION DIRECTIVE AND OTHER ICOUNTRY REGULATIONS AS DESCRIBED IN GS-22-008.  THE HOUSING WILL WITHSTAND EXPOSURE TO 260° PEAK TEMPERATURE FOR 10 SECONDS IN A WAVE SOLDER APPLICATION WITH A CIRCUIT BOARD.																																																																																																																	
④ MANUFACTURER'S NAME, P/N, AND DATE CODE TO APPEAR ON THIS SURFACE. 5. PRODUCT SPECIFICATION GS-12-149. APPLICATION SPECIFICATION BUS-20-067. 6. PACKAGED IN TRAYS. PCB NOTES: 7. ALL HOLE DIAMETERS ARE FINISHED HOLE SIZE. ⑧ MOUNTING HOLES, WHERE APPLICABLE, ARE UNPLATED. ⑨ $\varnothing .0453 \pm .0010$ [1.151 ± 0.025] DRILLED HOLES PLATED WITH .0003 [0.008] MIN SnPb OVER .001 [0.03] TO .003 [0.08] Cu PLATING TO ACHIEVE $\varnothing .040 \pm .003$ [1.02 ± .07] HOLE. ⑩ "DIM XXX" TO BE DETERMINED BY THE CUSTOMER. ⑪ CONNECTOR KEEP-OUT ZONE.																																																																																																																	
<table border="1" style="width: 100%; border-collapse: collapse;"> <tr> <td colspan="4" style="text-align: center;">SEE NOTE 2</td> <td colspan="2" style="text-align: center;">tolerances unless otherwise specified</td> <td colspan="2" style="text-align: center;">CUSTOMER</td> <td colspan="2" style="text-align: center;"><b>FCI</b> www.fciconnect.com</td> </tr> <tr> <td>lir</td> <td>ecn no.</td> <td>dr</td> <td>date</td> <td>linear</td> <td>projection</td> <td colspan="2">COPY</td> <td colspan="2">title</td> </tr> <tr> <td>B</td> <td></td> <td></td> <td></td> <td><math>.XX \pm .005/0.XX \pm 0.13</math></td> <td rowspan="2"></td> <td colspan="2" rowspan="2">INCH/MM</td> <td colspan="2">6P + 60S + 6P</td> </tr> <tr> <td></td> <td></td> <td></td> <td></td> <td><math>.XXXX \pm .0020/0.XX \pm 0.051</math></td> <td colspan="2">VERTICAL SOLDER RECEPT</td> </tr> <tr> <td></td> <td></td> <td></td> <td></td> <td>angles</td> <td rowspan="4"></td> <td colspan="2" rowspan="4">A</td> <td colspan="2">product family</td> </tr> <tr> <td></td> <td></td> <td></td> <td></td> <td><math>0^\circ \pm 2^\circ</math></td> <td colspan="2">PwrBlade</td> <td colspan="2">code</td> </tr> <tr> <td></td> <td></td> <td></td> <td></td> <td>dr</td> <td colspan="2">51750-055</td> <td colspan="2">213</td> </tr> <tr> <td></td> <td></td> <td></td> <td></td> <td>engr</td> <td colspan="2">size</td> <td colspan="2">sheet</td> </tr> <tr> <td></td> <td></td> <td></td> <td></td> <td>chr</td> <td colspan="2">A</td> <td colspan="2">4 of 4</td> </tr> <tr> <td></td> <td></td> <td></td> <td></td> <td>appd</td> <td colspan="2">scale</td> <td colspan="2"></td> </tr> <tr> <td></td> <td></td> <td></td> <td></td> <td></td> <td colspan="2">1:1</td> <td colspan="2"></td> </tr> <tr> <td>sheet index</td> <td colspan="2">revision sheet</td> <td></td> <td></td> <td></td> <td></td> <td></td> <td></td> <td></td> </tr> </table>			SEE NOTE 2				tolerances unless otherwise specified		CUSTOMER		<b>FCI</b> www.fciconnect.com		lir	ecn no.	dr	date	linear	projection	COPY		title		B				$.XX \pm .005/0.XX \pm 0.13$		INCH/MM		6P + 60S + 6P						$.XXXX \pm .0020/0.XX \pm 0.051$	VERTICAL SOLDER RECEPT						angles		A		product family						$0^\circ \pm 2^\circ$	PwrBlade		code						dr	51750-055		213						engr	size		sheet						chr	A		4 of 4						appd	scale									1:1				sheet index	revision sheet								
SEE NOTE 2				tolerances unless otherwise specified		CUSTOMER		<b>FCI</b> www.fciconnect.com																																																																																																									
lir	ecn no.	dr	date	linear	projection	COPY		title																																																																																																									
B				$.XX \pm .005/0.XX \pm 0.13$		INCH/MM		6P + 60S + 6P																																																																																																									
				$.XXXX \pm .0020/0.XX \pm 0.051$				VERTICAL SOLDER RECEPT																																																																																																									
				angles		A		product family																																																																																																									
				$0^\circ \pm 2^\circ$				PwrBlade		code																																																																																																							
				dr				51750-055		213																																																																																																							
				engr				size		sheet																																																																																																							
				chr	A		4 of 4																																																																																																										
				appd	scale																																																																																																												
					1:1																																																																																																												
sheet index	revision sheet																																																																																																																
Pro/E																																																																																																																	
cage code 22526																																																																																																																	