

## Excellent Integrated System Limited

Stocking Distributor

Click to view price, real time Inventory, Delivery & Lifecycle Information:

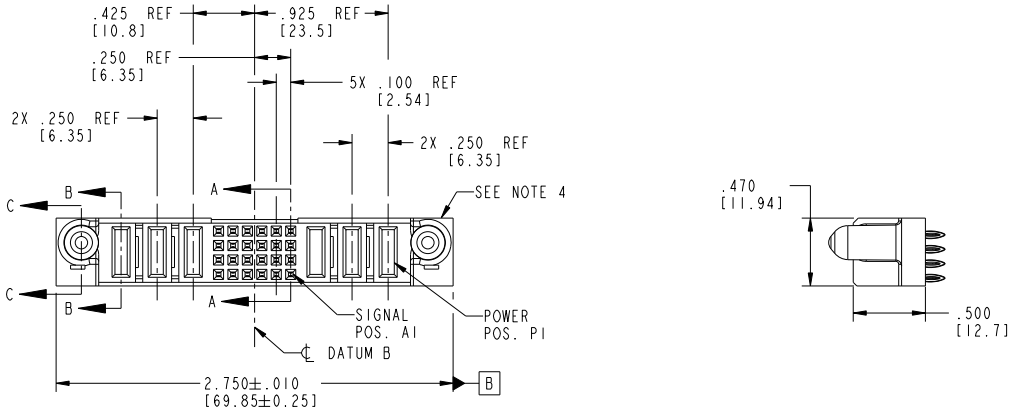
[FCI](#)  
[51750-066](#)

For any questions, you can email us directly:  
[sales@integrated-circuit.com](mailto:sales@integrated-circuit.com)

Tous droits strictement réservés. Reproduction ou communication à des tiers interdite sans quelque forme que ce soit sans autorisation écrite du propriétaire. Propriété de c FCI. Droits de reproduction FCI.

All rights strictly reserved. Reproduction or issue to third parties in any form whatsoever is not permitted without written authority from the proprietor. Property of FCI. Copyright FCI.

PRODUCT NO.	ROWS	POWER		SIGNAL						POWER			E1		
		E2	P6	P5	P4	6	5	4	3	2	1	P3		P2	P1
51750-066 NOTE ③	D C B A														



CODE	DIM "M" MATING LENGTH		CONTACT TYPE
F	N/A	[N/A]	SIGNAL
PC	.042	[1.07]	POWER
PF	.092	[2.34]	POWER

mat'l code				SEE NOTE 2	tolerances unless otherwise specified		CUSTOMER	FCI		www.fciconnect.com
ltr	ecn no.	dr	date	linear	.XX±.01/0.X±0.3	projection	COPY	title 3P + 24S + 3P		
A	D605-0137	SW	06/01/05	angles	.XXX±.005/0.XX±0.13	 INCH/MM	scale	VERTICAL PRSSFIT RECEIPT		
B	D608-0251	WD	09/13/08	dr	.XXX±.0020/0.XXX±0.051			product family PwrBlade		code 213
sheet index				enr	STEVEN WANG 06/01/05	size		A 51750-066		sheet 1 of 4
revision				chr	STEVEN WANG 06/01/05	scale		1:1		
sheet				appd	VICTOR LIN 06/01/05					
					JOSEPH HSIA 06/01/05					

1 | 2

Pro/E

PDM: Rev: B

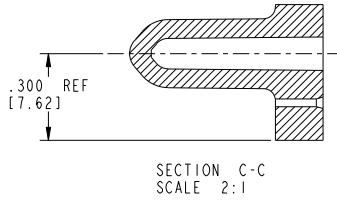
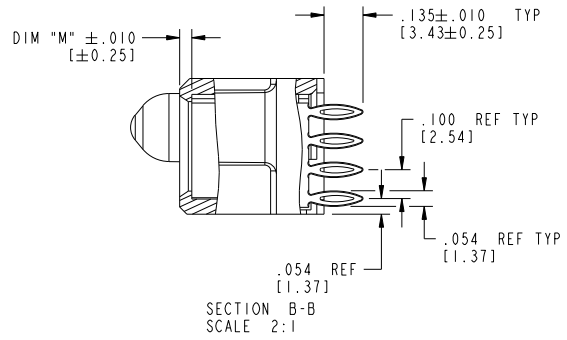
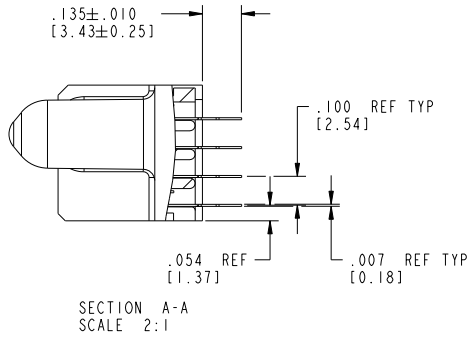
STATUS: Released Printed: Dec 20, 2010

Tous droits strictement réservés. Reproduction ou communication à des tiers interdite sous quelque forme que ce soit sans autorisation écrite du propriétaire. Propriété de c FCI. Droits de reproduction FCI.



All rights strictly reserved. Reproduction or issue to third parties in any form whatsoever is not permitted without written authority from the proprietor. Property of FCI. Copyright FCI.

PRODUCT NUMBER  
51750-066--  
NOTE ③



mat'l code		SEE NOTE 2		tolerances unless otherwise specified		CUSTOMER		FCI	
ltr	ech no.	dr	date	linear	.XX±.01/0.X±0.3	projection	COPY	www.fciconnect.com	
B				angles	.XXX±.005/0.XX±0.13	 INCH/MM	title	3P + 24S + 3P	
				dr	.XXX±.0020/0.XXX±0.051		product family	PwrBlade	
				enr	0°±?	scale	size	dwg no	code
				chr	STEVEN WANG 06/01/05	1:1	A	51750-066	213
				appd	STEVEN WANG 06/01/05				sheet
					VICTOR LIN 06/01/05				2 of 4
					JOSEPH HSIA 06/01/05				
sheet index	revision sheet								

Pro/E

**PDM: Rev: B**

STATUS: **Released**

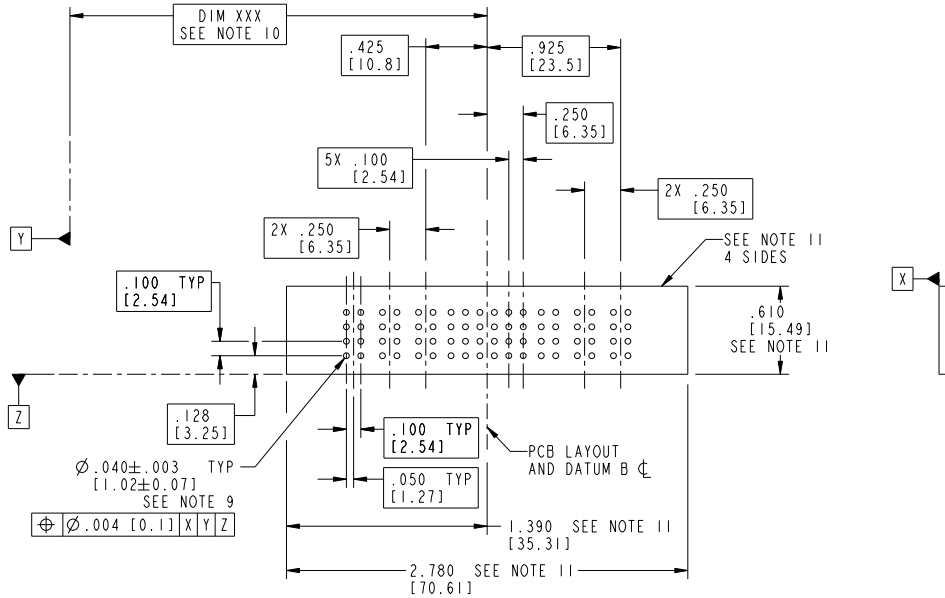
Printed: Dec 20, 2010

Tous droits strictement réservés. Reproduction ou communication à des tiers interdite sous quelque forme que ce soit sans autorisation écrite du propriétaire. Propriété de c FCI. Droits de reproduction FCI.



All rights strictly reserved. Reproduction or issue to third parties in any form whatsoever is not permitted without written authority from the proprietor. Property of FCI. Copyright FCI.

PRODUCT NUMBER  
51750-066--  
NOTE ③



RECOMMENDED PCB LAYOUT

mat'l code		SEE NOTE 2		tolerances unless otherwise specified		CUSTOMER		FCI		www.fciconnect.com	
ltr	ech no.	dr	date	linear	.XX±.01/0.X±0.3	projection	COPY	title	3P + 24S + 3P		
B				angles	.XXX±.005/0.XX±0.13			VERTICAL PRSSFIT RECEIPT			
				dr	.XXX±.0020/0.XXX±0.051			product family	PwrBlade		code
				enr	STEVEN WANG 06/01/05	INCH/MM	size	A 51750-066		sheet	3 of 4
				chr	STEVEN WANG 06/01/05	scale	1:1				
				appd	VICTOR LIN 06/01/05						
					JOSEPH HSIA 06/01/05						
sheet index	revision sheet										

1 | 2

Pro/E

PDM: Rev: B

STATUS: Released

Printed: Dec 20, 2010

1 | 2

3 |

4

PRODUCT NUMBER  
 51750-066--  
 NOTE ③

NOTES:

1. DIMENSIONS AND TOLERANCES ARE IN ACCORDANCE WITH ASME Y14.5M, 1994 UNLESS OTHERWISE SPECIFIED.

CONNECTOR NOTES:

- ② HOUSING MATERIAL: UL 94 V-0 GLASS FILLED HIGH-TEMP THERMOPLASTIC  
 POWER CONTACT MATERIAL: COPPER ALLOY  
 SIGNAL PIN MATERIAL: COPPER ALLOY
- ⚠ 3. SEE ITEM 7 & 8 IN PRINT 10064183 FOR PLATING SPEC OF 51750-066 AND 51750-066LF RESPECTIVELY.
- ④ MANUFACTURER'S NAME, P/N, AND DATE CODE TO APPEAR ON THIS SURFACE.
- 5. PRODUCT SPECIFICATION GS-12-149.  
 APPLICATION SPECIFICATION BUS-20-067.
- 6. PACKAGED IN TRAYS.
- PCB NOTES:
- 7. ALL HOLE DIAMETERS ARE FINISHED HOLE SIZE.
- ⑧ MOUNTING HOLES, WHERE APPLICABLE, ARE UNPLATED.
- ⑨  $\varnothing .0453 \pm .0010$  [1.151 ± 0.025] DRILLED HOLES PLATED WITH  
 .0003 [0.008] MIN SnPb OVER .001 [0.03]  
 TO .003 [0.08] Cu PLATING TO ACHIEVE  
 $\varnothing .040 \pm .003$  [1.02 ± 0.07] HOLE.
- ⑩ "DIM XXX" TO BE DETERMINED BY THE CUSTOMER.
- ⑪ CONNECTOR KEEP-OUT ZONE.
- 12. A ⚠ SYMBOL WILL BE NEXT TO ANY DIMENSION, VIEW, OR NOTE WHICH HAS BEEN MODIFIED WITH THE CURRENT DRAWING REVISION.

mat'l code		SEE NOTE 2		tolerances unless otherwise specified		CUSTOMER		FCI		www.fciconnect.com			
ltr	ecn no.	dr	date	linear	.XX±.01/0.X±0.3	projection	COPY	title	3P + 24S + 3P				
B				angles	.XXX±.005/0.XX±0.13			VERTICAL PRSSFIT RECEPT					
				dr	.XXX±.0020/0.XXX±0.051			product family	PwrBlade	code	213		
				enr	STEVEN WANG 06/01/05	INCH/MM	scale	size	dwg no	A	51750-066	sheet	4 of 4
				chr	VICTOR LIN 06/01/05								
				appd	JOSEPH HSIA 06/01/05								
sheet index	revision sheet												

1 | 2

Pro/E

**PDM: Rev: B**

STATUS: **Released**

Printed: Dec 20, 2010

Tous droits strictement reserves. Reproduction ou communication a des tiers interdite sous quelque forme que ce soit sans autorisation ecrite du proprietaire. Propriete de c FCI. Droits de reproduction FCI.



All rights strictly reserved. Reproduction or issue to third parties in any form whatsoever is not permitted without written authority from the proprietor. Property of FCI. Copyright FCI.