

Excellent Integrated System Limited

Stocking Distributor

Click to view price, real time Inventory, Delivery & Lifecycle Information:

[FCI](#)

[51750-095LF](#)

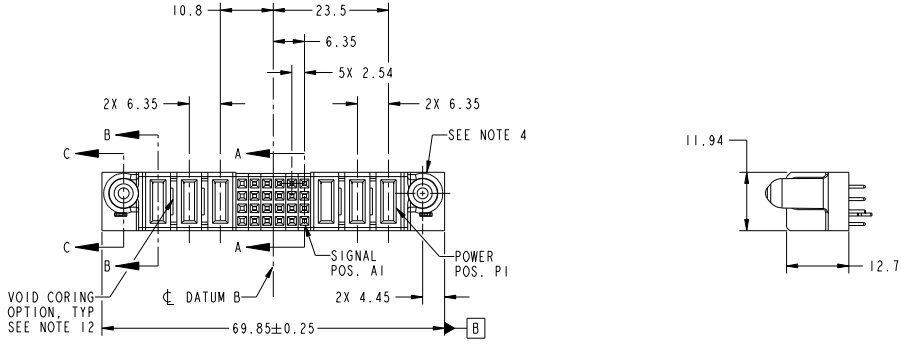
For any questions, you can email us directly:

sales@integrated-circuit.com

Tous droits strictement réservés. Reproduction ou communication à des tiers interdite sous quelque forme que ce soit sans autorisation écrite du propriétaire. Propriété de FCI. Droits de reproduction FCI.

All rights strictly reserved. Reproduction or issue to third parties in any form whatever is not permitted without written authority from the proprietor. Property of FCI. Copyright FCI.

PRODUCT NO.	ROWS	POWER				SIGNAL				POWER			
		E2	P6	P5	P4	S1	S2	S3	S4	P3	P2	P1	E1
51750-095-..	AD	HA	PA	PA	PD	X	X	X	X	PA	PD	PA	HA
NOTE: 3													



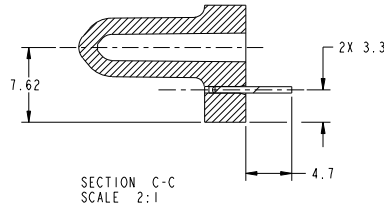
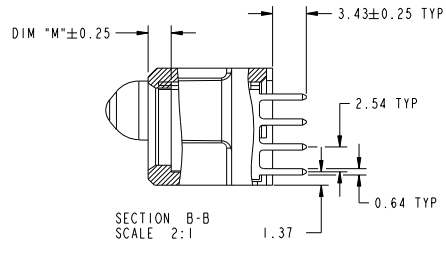
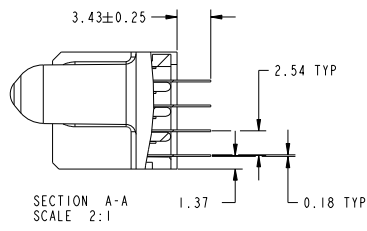
CODE	DIM "M" MATING LENGTH	CONTACT TYPE
E	[N/A]	SIGNAL
PD	[2.34]	POWER
PA	[1.07]	POWER
HA	[N/A]	HOLD-DOWN
X	OMITTED	OMITTED

mat'l code				SEE NOTES		tolerances unless otherwise specified		CUSTOMER	
ltr	ecm no.	dr	date			0.X ±0.5		COPY	www.fciconnect.com
A	DG10-0050	WL	2/05/10	linear		0.XX ±0.25		projection	title
				angles		0.XXX ±0.1		MM	3P + 24S + 3P
				dr	WL ZHANG	0° ±2°		scale	VERTICAL SOLDER RECEPT
				enr	WL ZHANG			1:1	product family
				chr	PM ZHENG	2/05/10			PwrBlade
				oppd	JOSEPH HSIA	2/05/10			code
sheet index	revision sheet	A	A	A	A	A	A		size
1	2	3	4						dwg no
									51750-095
									213 sheet
									1 of 4
									code
									22526

Tous droits strictement réservés. Reproduction ou communication à des tiers interdite sous quelque forme que ce soit sans autorisation écrite du propriétaire. Propriété de FCI. Droits de reproduction FCI.

All rights strictly reserved. Reproduction or issue to third parties in any form whatever is not permitted without written authority from the proprietor. Property of FCI. Copyright FCI.

PRODUCT NUMBER
51750-095...
NOTE: 3



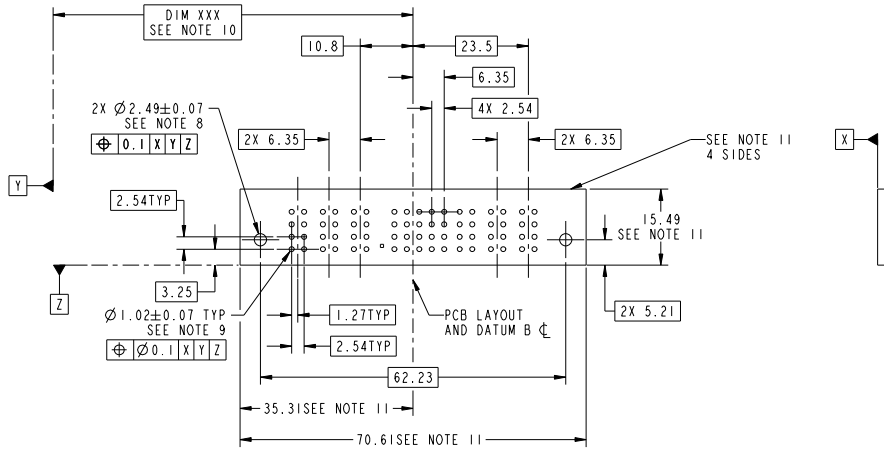
mat'l code				tolerances unless otherwise specified		CUSTOMER		FCI	
ltr	ecm no.	dr	date	linear	0.X ±0.5	COPY	www.fciconnect.com		
A					0.XX ±0.25	projection		3P + 24S + 3P	
				angles	0.XXX ±0.1			VERTICAL SOLDER RECEPT	
				dr	0° ±2°	MM		product family	PwrBlade
				enr	WL ZHANG 2/05/10	scale	1:1	size	A
				chr	WL ZHANG 2/05/10	dwg no	51750-095	code	213
				oppd	PM ZHENG 2/05/10	sheet	2 of 4		
sheet index	revision sheet				JOSEPH HSIA 2/05/10			cage code	22526

Tous droits strictement réservés. Reproduction ou communication à des tiers interdite sous quelque forme que ce soit sans autorisation écrite du propriétaire. Propriété de FCI. Droits de reproduction FCI.

All rights strictly reserved. Reproduction or issue to third parties in any form whatever is not permitted without written authority from the proprietor. Property of FCI. Copyright FCI.



PRODUCT NUMBER
51750-095...
NOTE: 3



RECOMMENDED PCB LAYOUT

mat'l code				tolerances unless otherwise specified		CUSTOMER	
lfr	ecm no.	dr	date	0.X	±0.5	COPY	www.fciconnect.com
A				0.XX	±0.25	projection	
				0.XXX	±0.1		title
				angles	0° ± 2°	MM	3P + 24S + 3P
		dr	WL ZHANG	2/05/10		scale	VERTICAL SOLDER RECEPT
		enrg	WL ZHANG	2/05/10		1:1	product family
		chr	FW ZHENG	2/05/10			PwrBlade
		oppd	JOSEPH HSIA	2/05/10			code
sheet index	revision sheet						size
							dwg no
							51750-095
							213 sheet
							3 of 4
							code
							22526

Pro/E

cage code 22526

Tous droits strictement réservés. Reproduction ou communication à des tiers interdite sous quelque forme que ce soit sans autorisation écrite du propriétaire. Propriété de FCI. Droits de reproduction FCI.

All rights strictly reserved. Reproduction or issue to third parties in any form whatever is not permitted without written authority from the proprietor. Property of FCI. Copyright FCI.

PRODUCT NUMBER
51750-095_
NOTE: 3

NOTES:

1. DIMENSIONS AND TOLERANCES ARE IN ACCORDANCE WITH ASME Y14.5M, 1994 UNLESS OTHERWISE SPECIFIED.

CONNECTOR NOTES:

- ② HOUSING MATERIAL: UL 94 V-0 GLASS FILLED HIGH-TEMP THERMOPLASTIC
POWER CONTACT MATERIAL: COPPER ALLOY
SIGNAL PIN MATERIAL: COPPER ALLOY
 - 3. PLATING SPEC.
SEE ITEM 5 & 6 IN PRINT 10064183 FOR PLATING SPEC. OF 51750-095, 51750-095LF RESPECTIVELY.
 - ④ MANUFACTURER'S NAME, DATE CODE AND OPTIONAL P/N TO APPEAR ON THIS SURFACE. THE P/N CAN BE OMITTED IF THERE IS NOT ENOUGH SPACE ON THIS SURFACE.
 - 5. PRODUCT SPECIFICATION GS-12-149.
APPLICATION SPECIFICATION BUS-20-067.
 - 6. PACKAGED IN TRAYS.
- PCB NOTES:
- 7. ALL HOLE DIAMETERS ARE FINISHED HOLE SIZE.
 - ⑧ MOUNTING HOLES, WHERE APPLICABLE, ARE UNPLATED.
 - ⑨ $\varnothing 1.151 \pm 0.025$ DRILLED HOLES PLATED WITH 0.008 MIN SnPb OR Sn OVER 0.03 TO 0.08 Cu PLATING TO ACHIEVE $\varnothing 1.02 \pm 0.07$ HOLE.
 - ⑩ "DIM XXX" TO BE DETERMINED BY THE CUSTOMER.
 - ⑪ CONNECTOR KEEP-OUT ZONE.
12. THE VOID CORING IN BETWEEN POWER MODULES, SIGNAL MODULES AND END MODULES ARE OPTIONAL AND THE SHAPE MAY BE DIFFERENT FOR OPTIMIZE THE MOLDING PROCESS. THE VOID CORING WILL NOT EFFECT TO PRODUCT FUNCTION.

mat'l code				tolerances unless otherwise specified		CUSTOMER		FCI	
ltr	ecm no.	dr	date	linear	0.X ± 0.5	COPY		www.fciconnect.com	
A					0.XX ± 0.25	projection	title		
				angles	0.XXX ± 0.1		3P + 24S + 3P		
				dr	0° ± 2°	MM	VERTICAL SOLDER RECEPT		
				enr	WL ZHANG 2/05/10	scale	product family	PwrBlade	code
				chr	WL ZHANG 2/05/10	1:1	size	dwg no	213
				oppd	FW ZHENG 2/05/10		A	51750-095	sheet
sheet index	revision sheet				JOSEPH HSIA 2/05/10				4 of 4

Pro/E

cage code 22526