

Excellent Integrated System Limited

Stocking Distributor

Click to view price, real time Inventory, Delivery & Lifecycle Information:

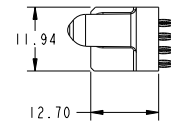
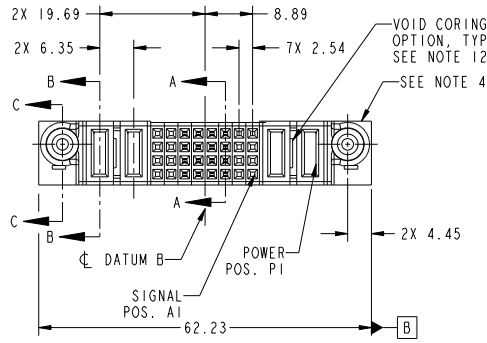
[FCI](#)

[51750-114LF](#)

For any questions, you can email us directly:

sales@integrated-circuit.com

PRODUCT NO.	ROWS	POWER			SIGNAL							POWER			
		E2	P4	P3	8	7	6	5	4	3	2	1	P2	P1	E1
51750-114- NOTE: 3	D C B A		PC	PC									PC	PC	



CODE	DIM "M" MATING LENGTH	CONTACT TYPE
PC	[1.07]	POWER
F	[N/A]	SIGNAL

spec ref	SEE NOTES	dr	GUANG SHI	2011/05/24	projection	MM	size	A4	scale	1:1
tolerance std	SEE NOTES	eng	ANSON LIU	2011/05/24		product family	ecn no	*	rel level	Released
TOLERANCES UNLESS OTHERWISE SPECIFIED		chr	PM ZHENG	2011/05/24			product family	PwrBlade	rel level	Released
surface	linear	0.X	±0.50		title	2P + 32S + 2P	dwg no	51750-114	rev	A
		0.XX	±0.25		www.fci.com	VERTICAL STB RECEP				
		0.XXX	±0.10		cat. no.					
	angular	0°	±2°			Product - Customer Drw			sheet 1 of 4	

PHASE FILE - REV C - 2009-06-09

1

2

3

PDS: Rev :A

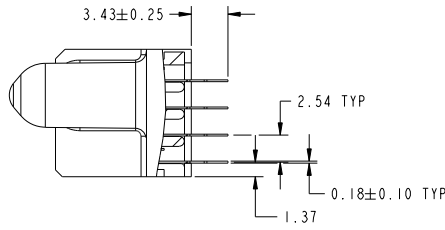
STATUS:Released

Printed: Jul 13, 2011

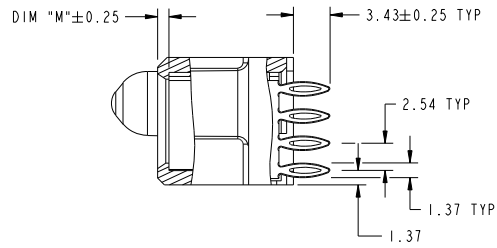


Copyright FCI.

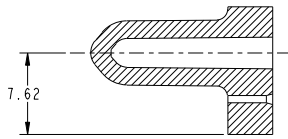
PRODUCT NUMBER
51750-114LF NOTE: 3



SECTION A-A
SCALE 2:1



SECTION B-B
SCALE 2:1



SECTION C-C
SCALE 2:1

spec ref	SEE NOTES			dr	GUANG SHI	2011/05/24	projection	MM	size	A4	scale	1:1
tolerance std	TOLERANCES UNLESS OTHERWISE SPECIFIED			eng	ANSON LIU	2011/05/24			ecn no	*		
SEE NOTES				chr	PM ZHENG	2011/05/24			product family	PwrBlade	rel level	Released
surface		linear	0.X	±0.50		2P + 32S + 2P VERTICAL STB RECEIPT	www.fci.com	cat. no.	Product - Customer Drw	sheet 2 of 4	rev A	51750-114
			0.XX	±0.25								
			0.XXX	±0.10								
		angular	0°	±2°								

PLATE FILE : REC C - 2009-06-09

1

2

3

PDS: Rev :A

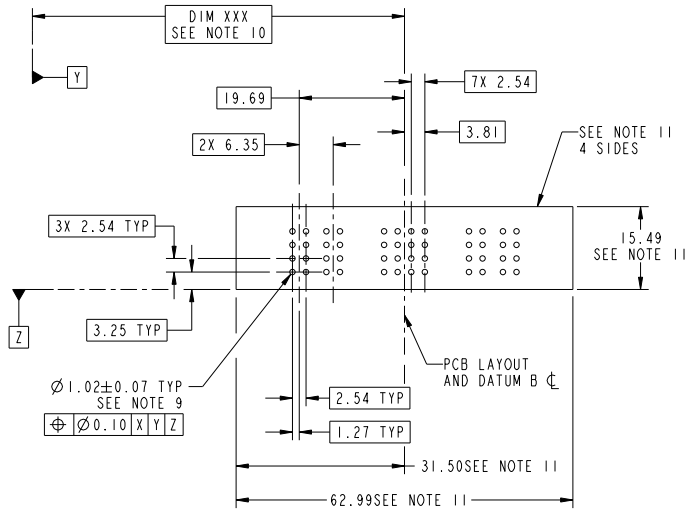
STATUS:Released

Printed: Jul 13, 2011



Copyright FCI.

PRODUCT NUMBER
51750-114-- NOTE: 3



RECOMMENDED PCB LAYOUT

spec ref	SEE NOTES	dr	GUANG SHI	2011/05/24	projection	MM	size	A4	scale	1:1
tolerance std	TOLERANCES UNLESS OTHERWISE SPECIFIED	eng	ANSON LIU	2011/05/24			ecn no	*	rel level	Released
SEE NOTES		chr	PM ZHENG	2011/05/24						
surface		linear	appr	JOSEPH HSIA	2011/05/24	product family	PwrBlade	dwg no	51750-114	rev
	angular				2P + 32S + 2P VERTICAL STB RECEIPT		www.fci.com		cat. no. Product - Customer Drw	

PLATE FILE : REC C - 2009-06-09

PRODUCT NUMBER
51750-114.. NOTE: 3

- NOTES:
- DIMENSIONS AND TOLERANCES ARE IN ACCORDANCE WITH ASME Y14.5M, 1994 UNLESS OTHERWISE SPECIFIED.
- CONNECTOR NOTES:
- HOUSING MATERIAL: UL 94 V-0 GLASS FILLED HIGH-TEMP THERMOPLASTIC
POWER CONTACT MATERIAL: COPPER ALLOY
SIGNAL PIN MATERIAL: COPPER ALLOY
 - SEE ITEM 7 & 8 IN PRINT 10064183 FOR PLATING SPEC OF 51750-114 AND 51750-114LF RESPECTIVELY.
 - MANUFACTURER'S NAME, DATE CODE AND OPTIONAL P/N TO APPEAR ON THIS SURFACE. THE P/N CAN BE OMITTED IF THERE IS NOT ENOUGH SPACE ON THIS SURFACE.
 - PRODUCT SPECIFICATION GS-12-149.
APPLICATION SPECIFICATION BUS-20-067.
 - PACKAGED IN TRAYS.
- PCB NOTES:
- ALL HOLE DIAMETERS ARE FINISHED HOLE SIZE.
 - MOUNTING HOLES, WHERE APPLICABLE, ARE UNPLATED.
 - $\varnothing 1.151 \pm 0.025$ DRILLED HOLES PLATED WITH 0.008 MIN SnPb OR Sn OVER 0.03 TO 0.08 Cu PLATING TO ACHIEVE $\varnothing 1.02 \pm 0.07$ HOLE.
 - "DIM XXX" TO BE DETERMINED BY THE CUSTOMER.
 - CONNECTOR KEEP-OUT ZONE.
12. THE VOID CORING IN BETWEEN POWER MODULES, SIGNAL MODULES AND END MODULES ARE OPTIONAL AND THE SHAPE MAY BE DIFFERENT FOR OPTIMIZE THE MOLDING PROCESS. THE VOID CORING WILL NOT EFFECT TO PRODUCT FUNCTION.



Copyright FCI.

spec ref	SEE NOTES			dr	GUANG SHI	2011/05/24	projection	MM	size	A4	scale	1:1
tolerance std	TOLERANCES UNLESS OTHERWISE SPECIFIED			eng	ANSON LIU	2011/05/24			ecn no	*		
SEE NOTES				chr	PM ZHENG	2011/05/24		product family			PwrBlade	rel level
surface	linear	0.X	± 0.50		2P + 32S + 2P	VERTICAL STB RECEPT	dwg no	51750-114	rev	A		
		0.XX	± 0.25									
		0.XXX	± 0.10									
angular	0°	$\pm 2°$	www.fci.com	cat. no.	Product - Customer Drw	sheet 4 of 4						

PLATE FILE : REC - 200-00-00