

Excellent Integrated System Limited

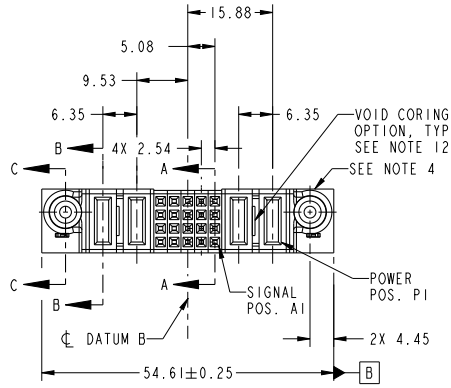
Stocking Distributor

Click to view price, real time Inventory, Delivery & Lifecycle Information:

[FCI](#)
[51750-122LF](#)

For any questions, you can email us directly:
sales@integrated-circuit.com

PRODUCT NO.	ROWS	POWER		SIGNAL				POWER		E1
		E2	P4	P3	S1	S2	S3	P2	P1	
51750-122-- NOTE: 3	D C B A		PD	PD				PA	PA	



CODE	DIM "M" MATING LENGTH	CONTACT TYPE
E	[N/A]	SIGNAL
PD	[2.34]	POWER
PA	[1.07]	POWER
HA	[N/A]	HOLD-DOWN

spec ref	*	dr	Guang Shi	2012/05/25	projection		MM	size	A4	scale	1:1
tolerance std	SEE NOTE	eng	Luo Weller	2012/09/11	product family	PwrBlade	ecn no	-	rel level	Released	
surface	linear	chr	-	-	app	Pei-Ming Zheng	2012/09/12	cat. no.	2P +20S +2P	VERTICAL SOLDER RECEPT	www.fci.com
	angular							cat. no.	51750-122	rev	A
Product - Customer Drw										sheet 1 of 4	

Print File: REC - 2009-08-09

1

2

3

PDS: Rev :A

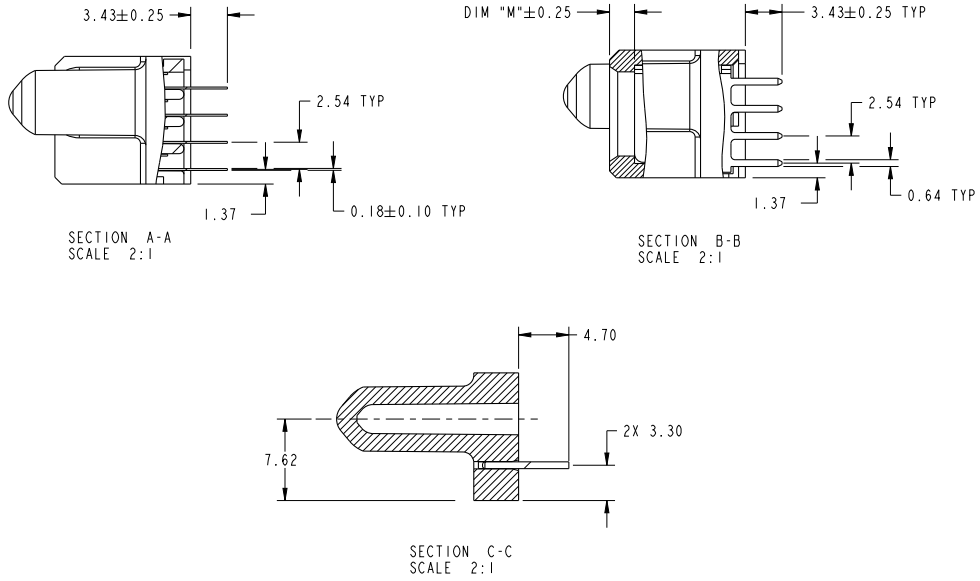
STATUS:Released

Printed: Sep 12, 2012



Copyright FCI.

PRODUCT NUMBER
51750-122--
NOTE: 3



dr	Guang, Shi	2012/05/25	projection	MM	size	A4	scale	1:1
eng	Luo Weller	2012/09/11			ecn no	-		
chr	-	-	product family	PwrBlade	rel level	Released		
appr	Pei-Ming Zheng	2012/09/12			part no	2P +20S +2P		rev
					dwg no	51750-122		A
					VERTICAL SOLDER RECEPT			
			cat. no.	*	Product - Customer Drw		sheet 2 of 4	

Print File : REC - 2009-08-09

PDS: Rev :A

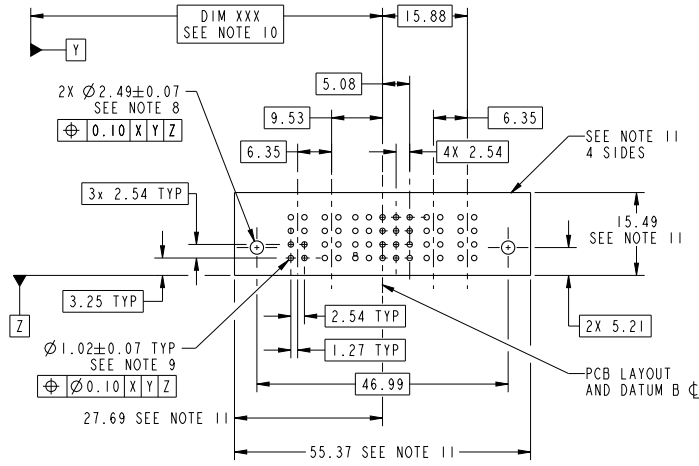
STATUS:Released

Printed: Sep 12, 2012



Copyright FCI.

PRODUCT NUMBER
51750-122-
NOTE: 3



RECOMMENDED PCB LAYOUT

dr	Guang, Shi	2012/05/25	projection	MM	size	A4	scale	1:1
eng	Luo Weller	2012/09/11			ecn no	-	rel level	
chr	-	-			product family	PwrBlade	Released	
appr	Pei-Ming Zheng	2012/09/12				2P +20S +2P	cat. no.	*
			VERTICAL SOLDER RECEPT			www.fci.com	Product - Customer Drw	sheet 3 of 4
						dwg no	51750-122	rev
								A

Print File : REC - 2009-08-09



Copyright FCI.

PRODUCT NUMBER
51750-122--
NOTE: 3

- NOTES:
1. DIMENSIONS AND TOLERANCES ARE IN ACCORDANCE WITH ASME Y14.5M, 1994 UNLESS OTHERWISE SPECIFIED.
- CONNECTOR NOTES:
- 2 HOUSING MATERIAL: UL 94 V-0 GLASS FILLED HIGH-TEMP THERMOPLASTIC
POWER CONTACT MATERIAL: COPPER ALLOY
SIGNAL PIN MATERIAL: COPPER ALLOY
 3. SEE ITEM 5 & 6 IN PRINT 10064183 FOR PLATING SPEC OF 51750-122 AND 51750-122LF RESPECTIVELY.
 - 4 MANUFACTURER'S NAME, DATE CODE AND OPTIONAL P/N TO APPEAR ON THIS SURFACE. THE P/N CAN BE OMITTED IF THERE IS NOT ENOUGH SPACE ON THIS SURFACE.
 5. PRODUCT SPECIFICATION GS-12-149.
APPLICATION SPECIFICATION BUS-20-067.
 6. PACKAGED IN TRAYS.
- PCB NOTES:
7. ALL HOLE DIAMETERS ARE FINISHED HOLE SIZE.
 - 8 MOUNTING HOLES, WHERE APPLICABLE, ARE UNPLATED.
 - 9 $\varnothing 1.151 \pm 0.025$ DRILLED HOLES PLATED WITH 0.008 MIN SnPb OR Sn OVER 0.03 TO 0.08 Cu PLATING TO ACHIEVE $\varnothing 1.02 \pm 0.07$ HOLE.
 - 10 "DIM XXX" TO BE DETERMINED BY THE CUSTOMER.
 - 11 CONNECTOR KEEP-OUT ZONE.
 12. THE VOID CORING IN BETWEEN POWER MODULES, SIGNAL MODULES AND END MODULES ARE OPTIONAL AND THE SHAPE MAY BE DIFFERENT FOR OPTIMIZE THE MOLDING PROCESS. THE VOID CORING WILL NOT EFFECT TO PRODUCT FUNCTION.



Copyright FCI.

dr	Guang, Shi	2012/05/25	projection		MM	size	A4	scale	1:1	
eng	Luo Weller	2012/09/11	chr			-	ecn no	-		
appr	Pei-Ming Zheng	2012/09/12	product family	PwrBlade		rel level	Released			
			title	2P +20S +2P		dwg no	51750-122		rev	A
www.fci.com			cat. no.	*	Product - Customer Drw		sheet 4 of 4			

Print File : REC - 2009-08-09