

Excellent Integrated System Limited

Stocking Distributor

Click to view price, real time Inventory, Delivery & Lifecycle Information:

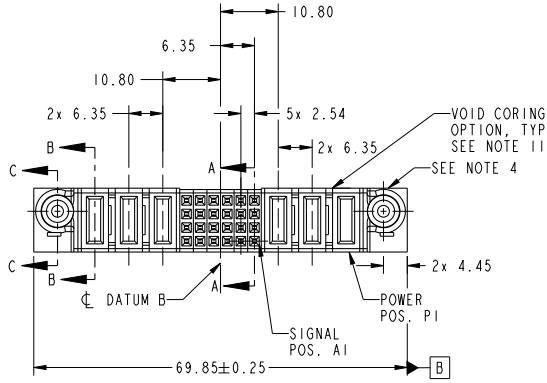
[FCI](#)

[51750-136LF](#)

For any questions, you can email us directly:

sales@integrated-circuit.com

PRODUCT NO.	ROWS	POWER				SIGNAL				POWER					
		E2	P6	P5	P4	6	5	4	3	2	1	P3	P2	P1	E1
51750-136-- NOTE: 3	D C B A		PF	PF	PF	6	5	4	3	2	1	PC	PC	PC	



CODE	DIM "M" MATING LENGTH	CONTACT TYPE
PF	[2.34]	POWER
PC	[1.07]	POWER
F	[N/A]	SIGNAL

spec ref	*	dr	Luo Weller	2013/10/24	projection	MM	size	A4	scale	1:1		
tolerance std	TOLERANCES UNLESS OTHERWISE SPECIFIED	eng	Luo Weller	2013/10/21		product family	PwrBlade	ecn no	rel level	Released		
SEE NOTE		chr	-	appr							Pei-Ming Zheng	2013/10/31
surface	linear	0.X	±0.5			3P+24S+3P	www.fci.com	cat. no.	* Product - Customer Drw	sheet 1 of 4		
	0.XX	±0.25	VERTICAL PRESS-FIT RECEPT								rev	A
	0.XXX	±0.1										
	angular	0°	±2°									

Print File: REC - 2009-08-09

1

2

3

PDS: Rev :A

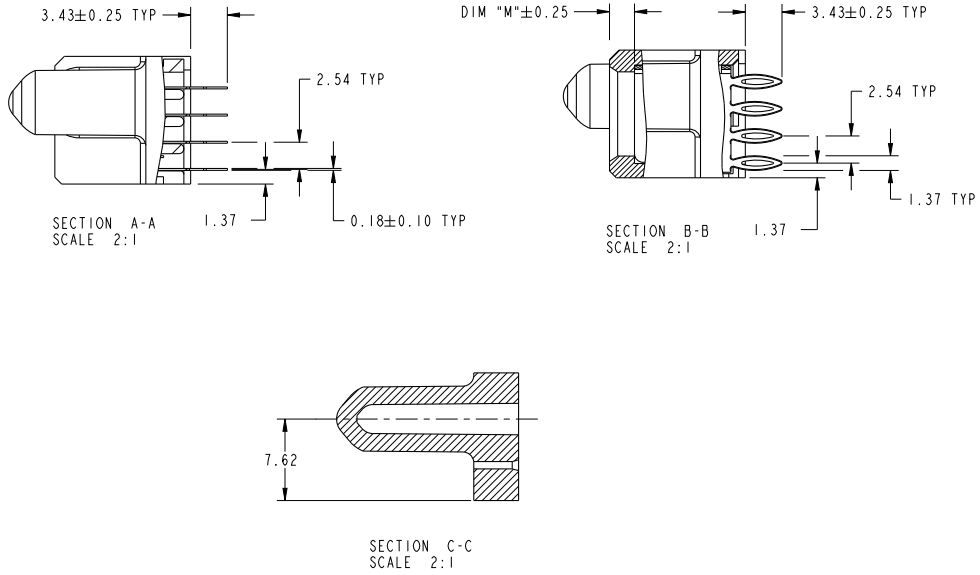
STATUS:Released

Printed: Nov 01, 2013



Copyright FCI.

PRODUCT NUMBER
51750-136-
NOTE: 3



dr	Luo Weller	2013/10/24	projection	MM	size	A4	scale	1:1
eng	Luo Weller	2013/10/31			ecn no	-		
chr	-	-	product family	PwrBlade	rel level	Released		
appr	Pei-Ming Zheng	2013/10/31			dwg no	51750-136	rev	A
www.fci.com		cat. no.	*	Product - Customer Drw	sheet 2 of 4			

Print File - REC - 2009-08-09

PDS: Rev :A

STATUS:Released

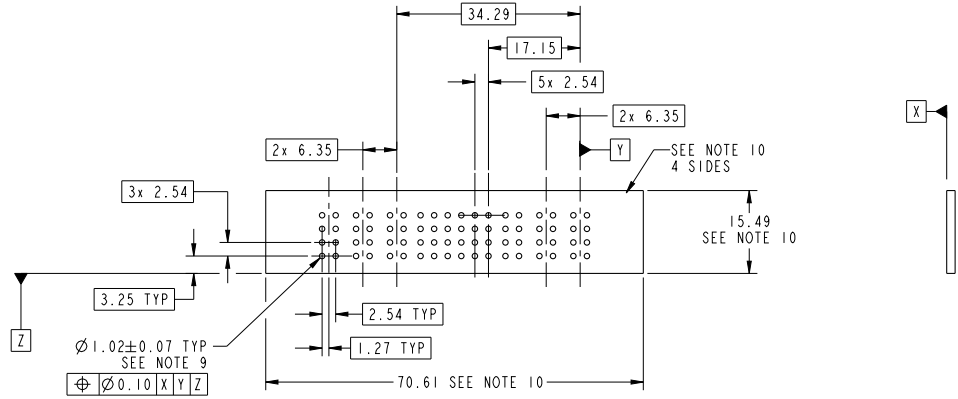
Printed: Nov 01, 2013



Copyright FCI.

PRODUCT NUMBER

51750-136-
NOTE: 3



RECOMMENDED PCB LAYOUT

dr	Luo Weller	2013/10/24	projection	MM	size	A4	scale	1:1
eng	Luo Weller	2013/10/31			ecn no	-		
chr	-	-			product family	PwrBlade	rel level	Released
appr	Pei-Ming Zheng	2013/10/31				part no	3P+24S+3P	rev
						cat. no.	51750-136	A
			www.fci.com			Product - Customer Drw	sheet 3 of 4	

Print File - REC - 2013-10-30

PRODUCT NUMBER
51750-136_
NOTE: 3

NOTES:

1. DIMENSIONS AND TOLERANCES ARE IN ACCORDANCE WITH ASME Y14.5M, 1994 UNLESS OTHERWISE SPECIFIED.

CONNECTOR NOTES:

- ② HOUSING MATERIAL: UL 94 V-0 GLASS FILLED HIGH-TEMP THERMOPLASTIC
POWER CONTACT MATERIAL: COPPER ALLOY
SIGNAL PIN MATERIAL: COPPER ALLOY
 - 3. SEE ITEM 7 & 8 IN PRINT 10064183 FOR PLATING SPEC OF 51750-136 AND 51750-136LF RESPECTIVELY.
 - ④ MANUFACTURER'S NAME, DATE CODE AND OPTIONAL P/N TO APPEAR ON THIS SURFACE. THE MARK CAN BE OMITTED IF THERE IS NOT ENOUGH SPACE ON THIS SURFACE.
 - 5. PRODUCT SPECIFICATION GS-12-149.
APPLICATION SPECIFICATION BUS-20-067.
 - 6. PACKAGED IN TRAYS.

PCB NOTES:

 - 7. ALL HOLE DIAMETERS ARE FINISHED HOLE SIZE.
 - ⑧ MOUNTING HOLES, WHERE APPLICABLE, ARE UNPLATED.
 - ⑨ $\varnothing 1.151 \pm 0.025$ DRILLED HOLES PLATED WITH
0.008 MIN SnPb OR Sn OVER 0.03
TO 0.08 Cu PLATING TO ACHIEVE
 $\varnothing 1.02 \pm 0.07$ HOLE.
 - ⑩ CONNECTOR KEEP-OUT ZONE.
11. THE VOID CORING IN BETWEEN POWER MODULES, SIGNAL MODULES AND END MODULES ARE OPTIONAL AND THE SHAPE MAY BE DIFFERENT FOR OPTIMIZE THE MOLDING PROCESS. THE VOID CORING WILL NOT EFFECT TO PRODUCT FUNCTION.



Copyright FCI.

dr	Luo Weller	2013/10/24	projection	MM	size	A4	scale	1:1
eng	Luo Weller	2013/10/21			ecn no	-		
chr	-	-	product family		PwrBlade	rel level	Released	
appr	Pei-Ming Zheng	2013/10/31	title		3P+24S+3P	dwg no	51750-136	rev
www.fci.com		cat. no.	*	Product - Customer Drw		sheet	4 of 4	

Print File : REC - 2009-01-09