

Excellent Integrated System Limited

Stocking Distributor

Click to view price, real time Inventory, Delivery & Lifecycle Information:

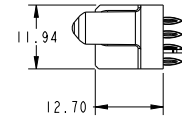
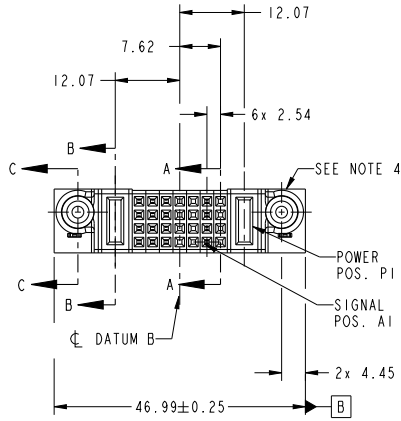
[FCI](#)

[51750-137LF](#)

For any questions, you can email us directly:

sales@integrated-circuit.com

PRODUCT NO.	ROWS	POWER SIGNAL POWER									
		E2	P2	7	6	5	4	3	2	1	P1
51750-137-- NOTE: 3	D C B A		PC						PC		



CODE	DIM "M" MATING LENGTH	CONTACT TYPE
PC	[1.07]	POWER
F	[N/A]	SIGNAL
HA	[N/A]	HOLD-DOWN
X	[N/A]	OMITTED

spec ref	*	dr	Luo Weller	2014/02/11	projection	MM	size	A4	scale	1:1
tolerance std	TOLERANCES UNLESS OTHERWISE SPECIFIED	eng	Luo Weller	2014/02/21		product family	PwrBlade	ecn no	rel level	Released
SEE NOTE		chr	-	-						
surface	linear	appr	Pei-Ming Zheng	2014/02/21	IP + 28S + IP		dwg no	51750-137	rev	A
	0.X ±0.5				VERTICAL PRESS FIT RECEPT					
	0.XX ±0.25	FCj		cat. no.	*	Product - Customer Drw	sheet 1 of 4			
	0.XXX ±0.1	www.fci.com								
	angular									
	0° ±2°									

Print File - REC - 2009-08-09

1

2

3

PDS: Rev :A

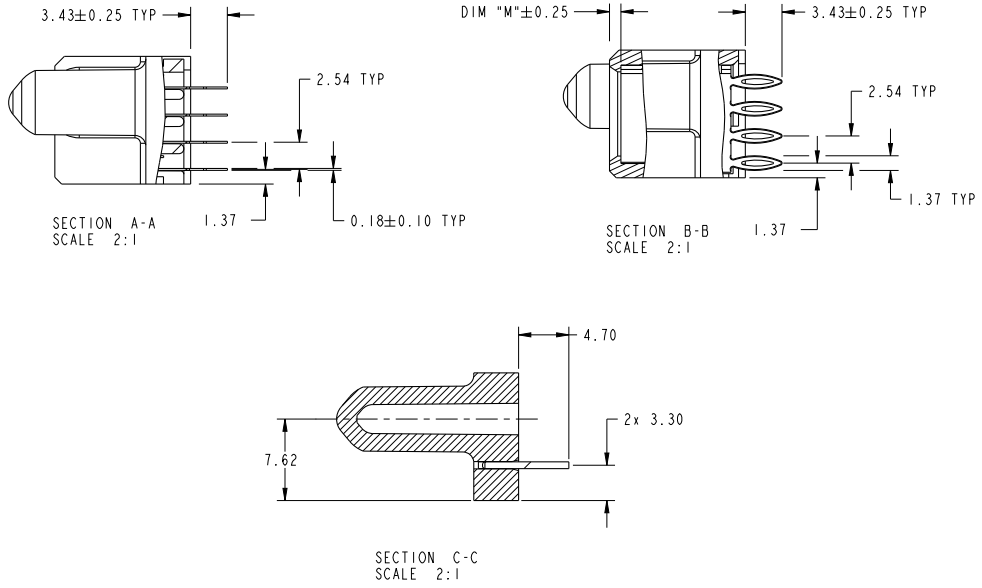
STATUS:Released

Printed: Feb 21, 2014



Copyright FCI.

PRODUCT NUMBER
51750-137...
NOTE: 3



dr	Luo Weller	2014/02/11	projection	MM	size	A4	scale	1:1
eng	Luo Weller	2014/02/21			ecn no	-		
chr	-	-			rel level	Released		
appr	Pei-Ming Zheng	2014/02/21	product family	PwrBlade	rel level	Released		
			title	IP + 28S + IP	dwg no	51750-137	rev	A
www.fci.com			cat. no.	*	Product - Customer Drw	sheet 2 of 4		

Print File : REC - 2009-06-09

PDS: Rev :A

STATUS:Released

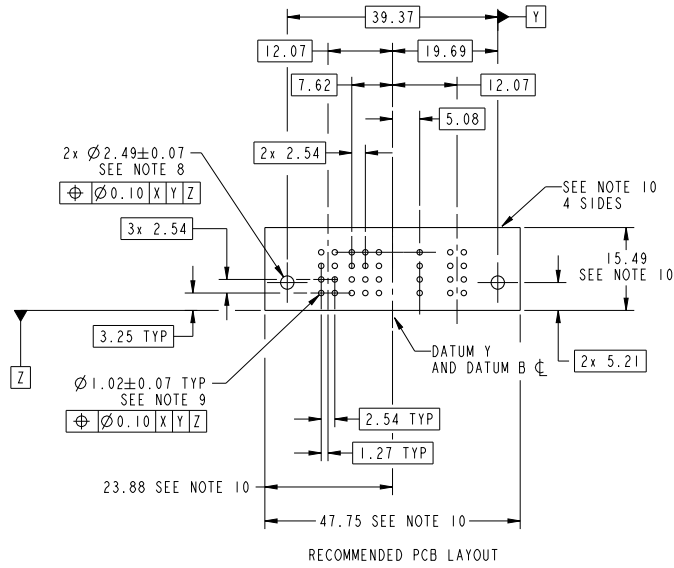
Printed: Feb 21, 2014



Copyright FCI.

PRODUCT NUMBER

51750-137...
NOTE: 3



dr	Luo Weller	2014/02/21	projection	MM	size	A4	scale	1:1
eng	Luo Weller	2014/02/21			ecn no	-	rel level	
chr	-	-			product family	PwrBlade	Released	
appr	Pei-Ming Zheng	2014/02/21				title IP + 28S + IP VERTICAL PRESS FIT RECEPT		rev A
www.fci.com			cat. no.	*	Product - Customer Drw			sheet 3 of 4

Print File - REC - 2009-06-09

PRODUCT NUMBER
51750-137--
NOTE: 3

NOTES:

1. DIMENSIONS AND TOLERANCES ARE IN ACCORDANCE WITH ASME Y14.5M, 1994 UNLESS OTHERWISE SPECIFIED.

CONNECTOR NOTES:

- ② HOUSING MATERIAL: UL 94 V-0 GLASS FILLED HIGH-TEMP THERMOPLASTIC
POWER CONTACT MATERIAL: COPPER ALLOY
SIGNAL PIN MATERIAL: COPPER ALLOY
 - 3. SEE ITEM 7 & 8 IN PRINT 10064183 FOR PLATING SPEC OF 51750-137 AND 51750-137LF RESPECTIVELY.
 - ④ MANUFACTURER'S NAME, DATE CODE AND OPTIONAL P/N TO APPEAR ON THIS SURFACE. THE MARK CAN BE OMITTED IF THERE IS NOT ENOUGH SPACE ON THIS SURFACE.
 - 5. PRODUCT SPECIFICATION GS-12-149.
APPLICATION SPECIFICATION BUS-20-067.
 - 6. PACKAGED IN TRAYS.

PCB NOTES:

 - 7. ALL HOLE DIAMETERS ARE FINISHED HOLE SIZE.
 - ⑧ MOUNTING HOLES, WHERE APPLICABLE, ARE UNPLATED.
 - ⑨ $\varnothing 1.151 \pm 0.025$ DRILLED HOLES PLATED WITH 0.008 MIN SnPb OR Sn OVER 0.03 TO 0.08 Cu PLATING TO ACHIEVE $\varnothing 1.02 \pm 0.07$ HOLE.
 - ⑩ CONNECTOR KEEP-OUT ZONE.
11. THE VOID CORING IN BETWEEN POWER MODULES, SIGNAL MODULES AND END MODULES ARE OPTIONAL AND THE SHAPE MAY BE DIFFERENT FOR OPTIMIZE THE MOLDING PROCESS. THE VOID CORING WILL NOT EFFECT TO PRODUCT FUNCTION.



Copyright FCI.

dr	Luo Weller	2014/02/11	projection	MM	size	A4	scale	1:1
eng	Luo Weller	2014/02/21			ecn no	-		
chr	-	-	product family		PwrBlade	rel level	Released	
appr	Pei-Ming Zheng	2014/02/21	title		IP + 28S + IP	dwg no	51750-137	rev
www.fci.com		cat. no.	*	Product - Customer Drw		sheet	4 of 4	

Print File : REC - 2009-01-09