

Excellent Integrated System Limited

Stocking Distributor

Click to view price, real time Inventory, Delivery & Lifecycle Information:

[FCI](#)

[51751-019LF](#)

For any questions, you can email us directly:

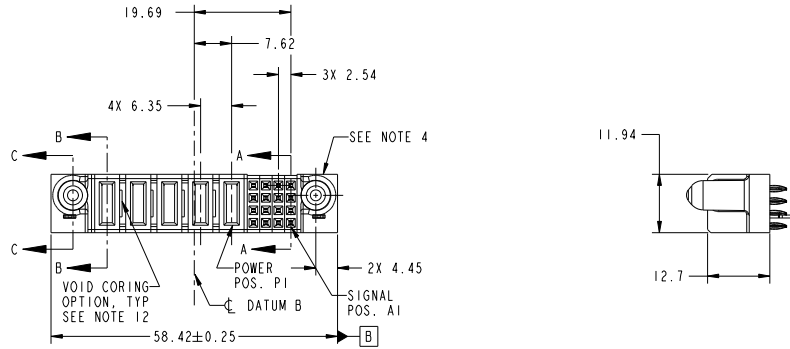
sales@integrated-circuit.com

Tous droits strictement réservés. Reproduction ou communication à des tiers interdite sous quelque forme que ce soit sans autorisation écrite du propriétaire. Propriété de FCI. Droits de reproduction FCI.

All rights strictly reserved. Reproduction or issue to third parties in any form whatever is not permitted without written authority from the proprietor. Property of FCI. Copyright FCI.



PRODUCT NO.	ROWS	POWER					SIGNAL					
		E2	P5	P4	P3	P2	P1	4	3	2	1	E1
51751-019- NOTE: 3	D C A											



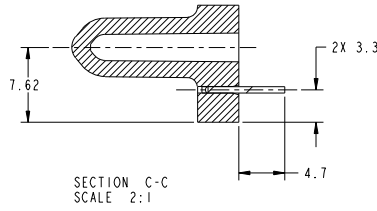
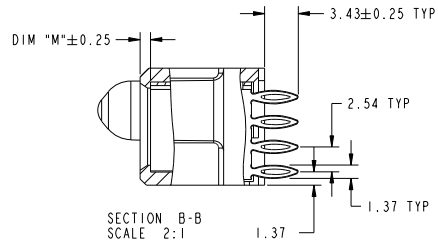
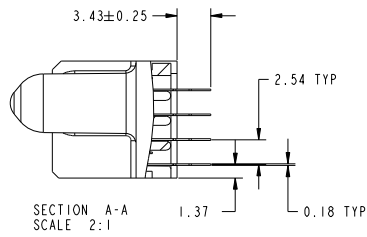
CODE	DIM "M" MATING LENGTH	CONTACT TYPE
PF	[2.34]	POWER
F	[N/A]	SIGNAL
HA	[N/A]	HOLD-DOWN
PC	[1.07]	POWER

SEE NOTES				tolerances unless otherwise specified		CUSTOMER	
ltr	ecm no.	dr	date	linear	0.X ±0.5	COPY	www.fciconnect.com
A	DG09-0142	JW	04/13/09	0.XX ±0.25	projection	title	16S + 5P
				0.XXX ±0.1	MM	VERTICAL PRESS-FIT RECEIPT	
				angles	0° ±2°	product family	PwrBlade
				dr	JULIA WANG 04/13/09	size	dwg no
				enr	JEROME CHEN 04/13/09	scale	51751-019
				chr	GARY HSIEH 04/13/09	code	213
				oppd	JOSEPH HSIA 04/13/09	sheet	1 of 4
sheet index	revision sheet	A 1	A 2	A 3	A 4	code	22526

Tous droits strictement réservés. Reproduction ou communication à des tiers interdite sous quelque forme que ce soit sans autorisation écrite du propriétaire. Propriété de FCI. Droits de reproduction FCI.

All rights strictly reserved. Reproduction or issue to third parties in any form whatever is not permitted without written authority from the proprietor. Property of FCI. Copyright FCI.

PRODUCT NUMBER
51751-019-
NOTE: 3



mat'l code				tolerances unless otherwise specified		CUSTOMER		FCI	
ltr	ecm no.	dr	date	linear	0.X ±0.5	COPY	www.fciconnect.com		
A					0.XX ±0.25	projection		title	
				angles	0.XXX ±0.1			16S + 5P	
				dr	0° ±2°	MM		VERTICAL PRESS-FIT RECEPT	
				enr	JULIA WANG 04/13/09	scale		product family	PwrBlade
				chr	JEROME CHEN 04/13/09	1:1		size	dwg no
				oppd	GARY HSIEH 04/13/09			A	51751-019
sheet index	revision sheet				JOSEPH HSIA 04/13/09				code
									213
									sheet
									2 of 4

Pro/E

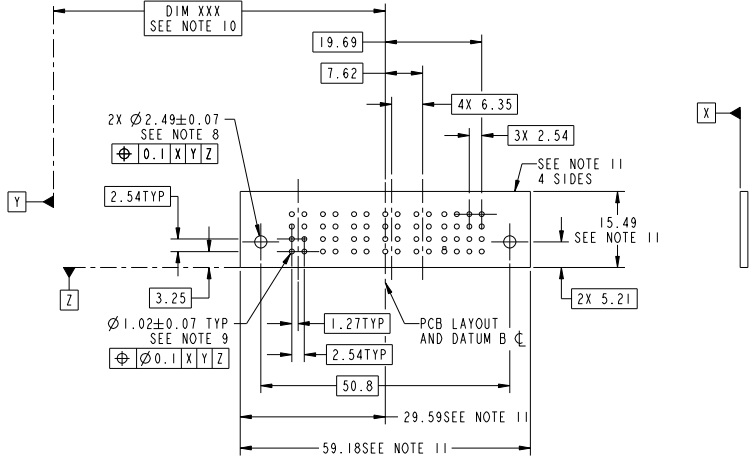
cage code 22526

Tous droits strictement réservés. Reproduction ou communication à des tiers interdite sous quelque forme que ce soit sans autorisation écrite du propriétaire. Propriété de FCI. Droits de reproduction FCI.

All rights strictly reserved. Reproduction or issue to third parties in any form whatever is not permitted without written authority from the proprietor. Property of FCI. Copyright FCI.

PRODUCT NUMBER
51751-019-
NOTE: 3

1 | 2 | 3 | 4



mat'l code				tolerances unless otherwise specified		CUSTOMER	
ltr	ecm no.	dr	date	0.X ± 0.5	linear	0.XX ± 0.25	projection
A				0.XXX ± 0.1	angles	0° ± 2°	MM
				dr	JULIA WANG	04/13/09	scale
				enr	JEROME CHEN	04/13/09	1:1
				chr	GARY HSIEH	04/13/09	
				oppd	JOSEPH HSIA	04/13/09	
sheet index	revision sheet						

FCI		www.fciconnect.com	
title		16S + 5P	
VERTICAL PRESS-FIT RECEPT		code	
product family		PwrBlade	
size	dwg no	code	213
A	51751-019	sheet	3 of 4
cage code		22526	

Pro/E 3

Tous droits strictement réservés. Reproduction ou communication à des tiers interdite sous quelque forme que ce soit sans autorisation écrite du propriétaire. Propriété de FCI. Droits de reproduction FCI.

All rights strictly reserved. Reproduction or issue to third parties in any form whatever is not permitted without written authority from the proprietor. Property of FCI. Copyright FCI.

PRODUCT NUMBER
 51751-019-_
 NOTE: 3

NOTES:

1. DIMENSIONS AND TOLERANCES ARE IN ACCORDANCE WITH ASME Y14.5M, 1994 UNLESS OTHERWISE SPECIFIED.
- CONNECTOR NOTES:
- ② HOUSING MATERIAL: UL 94 V-0 GLASS FILLED HIGH-TEMP THERMOPLASTIC
 POWER CONTACT MATERIAL: COPPER ALLOY
 SIGNAL PIN MATERIAL: COPPER ALLOY
3. PLATING SPEC.
 SEE ITEM 7 & 8 IN PRINT 10064183 FOR PLATING SPEC OF 51751-019, 51751-019LF RESPECTIVELY.
- ④ MANUFACTURER'S NAME, P/N, AND DATE CODE TO APPEAR ON THIS SURFACE.
5. PRODUCT SPECIFICATION GS-12-149.
 APPLICATION SPECIFICATION BUS-20-067.
6. PACKAGED IN TRAYS.
- PCB NOTES:
7. ALL HOLE DIAMETERS ARE FINISHED HOLE SIZE.
- ⑧ MOUNTING HOLES, WHERE APPLICABLE, ARE UNPLATED.
- ⑨ $\varnothing 1.151 \pm 0.025$ DRILLED HOLES PLATED WITH 0.008 MIN SnPb OR Sn OVER 0.03 TO 0.08 Cu PLATING TO ACHIEVE $\varnothing 1.02 \pm 0.07$ HOLE.
- ⑩ "DIM XXX" TO BE DETERMINED BY THE CUSTOMER.
- ⑪ CONNECTOR KEEP-OUT ZONE.
12. THE VOID CORING IN BETWEEN POWER MODULES, SIGNAL MODULES AND END MODULES ARE OPTIONAL AND THE SHAPE MAY BE DIFFERENT FOR OPTIMIZE THE MOLDING PROCESS. THE VOID CORING WILL NOT EFFECT TO PRODUCT FUNCTION.

mat'l code				tolerances unless otherwise specified		CUSTOMER		FCI	
ltr	ecm no.	dr	date	linear	0.X ± 0.5	COPY		www.fciconnect.com	
A					0.XX ± 0.25	projection	title		
				angles	0.XXX ± 0.1		16S + 5P		
				dr	0° ± 2°		VERTICAL PRESS-FIT RECEIPT		
				engr	JULIA WANG 04/13/09	scale	product family	PwrBlade	code
				chr	JEROME CHEN 04/13/09	1:1	size	dwg no	213
				oppd	GARY HSIEH 04/13/09		A	51751-019	sheet
sheet index	revision sheet				JOSEPH HSIA 04/13/09				4 of 4

Pro/E

cage code 22526