

## Excellent Integrated System Limited

Stocking Distributor

Click to view price, real time Inventory, Delivery & Lifecycle Information:

[FCI](#)

[51751-023LF](#)

For any questions, you can email us directly:

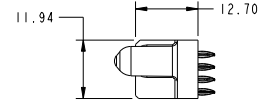
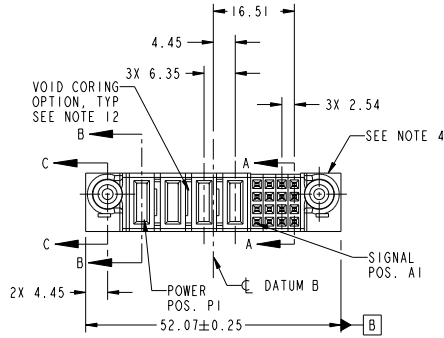
[sales@integrated-circuit.com](mailto:sales@integrated-circuit.com)

Tous droits strictement réservés. Reproduction ou communication à des tiers interdite sous quelque forme que ce soit sans autorisation écrite du propriétaire. Propriété de E.F.C.I. Droits de reproduction F.C.I.

All rights strictly reserved. Reproduction or issue to third parties in any form whatever is not permitted without written authority from the proprietor. Property of F.C.I. Copyright F.C.I.



PRODUCT NO.	ROWS	POWER					SIGNAL			
		E2	P4	P3	P2	P1	1	2	3	E1
51751-023- NOTE: 3	16 S + 4 P									



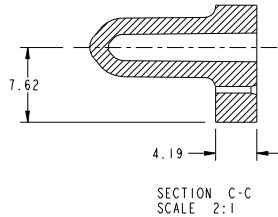
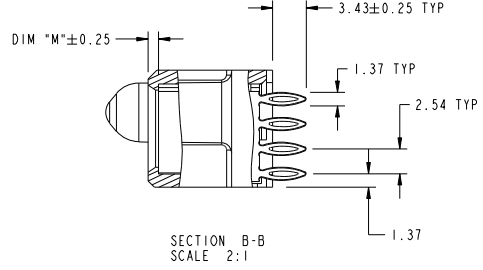
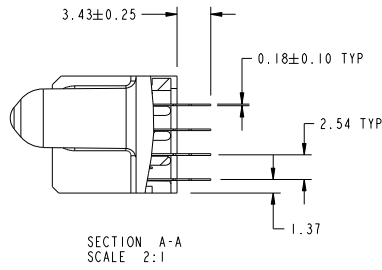
CODE	DIM "M" MATING LENGTH	CONTACT TYPE
PC	[1.07]	POWER
F	[N/A]	SIGNAL
PF	[2.34]	POWER

mat'l code		SEE NOTES		tolerances unless otherwise specified		CUSTOMER	
lfr	ecm no.	dr	date	linear	0.X ±0.5	COPY	www.fciconnect.com
A	DG10-0359	X0	10/19/10		0.XX ±0.25	projection	16 S + 4 P
				angles	0.XXX ±0.1		VERTICAL PF RECEPT
				dr	0° ±2°	MM	product family PwrBlade
				engr	X0 Wang 09/16/10	scale	size 213
				chr	Jermoe Chen 09/16/10	1:1	dwg no 51751-023
				oppd	PM ZHENG 09/16/10		sheet 1 of 4
					Joseph Hsiao 09/16/10		
sheet index	revision sheet	A 1	A 2	A 3	A 4		cage code 22526

Tous droits strictement réservés. Reproduction ou communication à des tiers interdite sous quelque forme que ce soit sans autorisation écrite du propriétaire. Propriété de FCI. Droits de reproduction FCI.

All rights strictly reserved. Reproduction or issue to third parties in any form whatever is not permitted without written authority from the proprietor. Property of FCI. Copyright FCI.

PRODUCT NUMBER  
51751-023...  
NOTE: 3



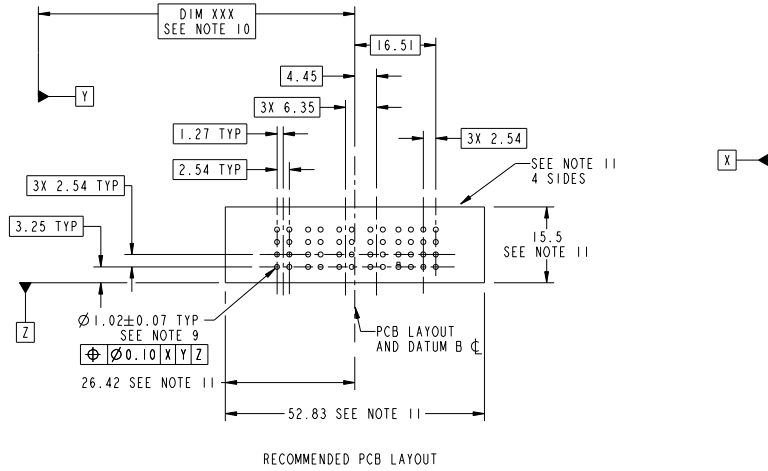
mat'l code				tolerances unless otherwise specified		CUSTOMER		FCI	
ltr	ecm no.	dr	date	linear	0.X ±0.5	COPY	www.fciconnect.com		
A					0.XX ±0.25	projection	title		
					0.XXX ±0.1		16 S + 4 P		
				angles	0° ±2°		VERTICAL PF RECEPT		
		dr	XQ Wang	09/16/10		scale	product family	PwrBlade	code
		enr	Jermoe Chen	09/16/10		1:1	size	dwg no	213
		chr	PM ZHENG	09/16/10			A	51751-023	sheet
		oppd	Joseph Hsiao	09/16/10					2 of 4
sheet index	revision sheet								
							cage code	22526	4

Tous droits strictement réservés. Reproduction ou communication de des tiers interdite sous quelque forme que ce soit sans autorisation écrite du propriétaire. Propriété de FCI. Droits de reproduction FCI.



All rights strictly reserved. Reproduction or issue to third parties in any form whatever is not permitted without written authority from the proprietor. Property of FCI. Copyright FCI.

PRODUCT NUMBER  
51751-023...  
NOTE: 3



RECOMMENDED PCB LAYOUT

mat'l code				tolerances unless otherwise specified		CUSTOMER	
ltr	ecm no.	dr	date	0.X ± 0.5	COPY	FCI www.fciconnect.com	
A				0.XX ± 0.25	projection	title 16 S + 4 P	
				0.XXX ± 0.1	MM	VERTICAL PF RECEPT	
				angles 0° ± 2°	scale	product family	PwrBlade
		dr	XQ Wang 09/16/10		1:1	size	code
		engr	Jermoe Chen 09/16/10			dwg no	213
		chr	PM ZHENG 09/16/10			51751-023	sheet
		oppd	Joseph Hsia 09/16/10				3 of 4
sheet index	revision	sheet				cage code	22526

Tous droits strictement réservés. Reproduction ou communication à des tiers interdite sous quelque forme que ce soit sans autorisation écrite du propriétaire. Propriété de FCI. Droits de reproduction FCI.

All rights strictly reserved. Reproduction or issue to third parties in any form whatever is not permitted without written authority from the proprietor. Property of FCI. Copyright FCI.

PRODUCT NUMBER  
 51751-023...  
 NOTE: 3

NOTES:

1. DIMENSIONS AND TOLERANCES ARE IN ACCORDANCE WITH ASME Y14.5M, 1994 UNLESS OTHERWISE SPECIFIED.

CONNECTOR NOTES:

- ② HOUSING MATERIAL: UL 94 V-0 GLASS FILLED HIGH-TEMP THERMOPLASTIC  
 POWER CONTACT MATERIAL: COPPER ALLOY  
 SIGNAL PIN MATERIAL: COPPER ALLOY
- 3. SEE ITEM 7 & 8 IN PRINT 10064183 FOR PLATING SPEC OF 51751-023 AND 51751-023LF RESPECTIVELY.

④ MANUFACTURER'S NAME, DATE CODE AND OPTIONAL P/N TO APPEAR ON THIS SURFACE. THE P/N CAN BE OMITTED IF THERE IS NOT ENOUGH SPACE ON THIS SURFACE.

5. PRODUCT SPECIFICATION GS-12-149.  
 APPLICATION SPECIFICATION BUS-20-067.

6. PACKAGED IN TRAYS.

PCB NOTES:

7. ALL HOLE DIAMETERS ARE FINISHED HOLE SIZE.

⑧ MOUNTING HOLES, WHERE APPLICABLE, ARE UNPLATED.

⑨  $\varnothing 1.151 \pm 0.025$  DRILLED HOLES PLATED WITH 0.008 MIN SnPb OR Sn OVER 0.03 TO 0.08 Cu PLATING TO ACHIEVE  $\varnothing 1.02 \pm 0.07$  HOLE.

⑩ "DIM XXX" TO BE DETERMINED BY THE CUSTOMER.

⑪ CONNECTOR KEEP-OUT ZONE.

12. THE VOID CORING IN BETWEEN POWER MODULES, SIGNAL MODULES AND END MODULES ARE OPTIONAL AND THE SHAPE MAY BE DIFFERENT FOR OPTIMIZE THE MOLDING PROCESS. THE VOID CORING WILL NOT EFFECT TO PRODUCT FUNCTION.

mat'l code				tolerances unless otherwise specified		CUSTOMER		FCI	
ltr	ecn no.	dr	date	linear	0.X ± 0.5	COPY	www.fciconnect.com		
A					0.XX ± 0.25	projection	title		
				angles	0.XXX ± 0.1		16 S + 4 P		
				dr	0° ± 2°	MM	VERTICAL PF RECEPT		
				engr	XQ Wang 09/16/10	product family	PwrBlade	code	213
				chr	Jermoe Chen 09/16/10	size	dwg no	51751-023	sheet
				oppd	PW ZHENG 09/16/10	scale	A	4 of 4	
					Joseph Hsiao 09/16/10	1:1			
sheet index	revision sheet								

Pro/E

cage code 22526