

Excellent Integrated System Limited

Stocking Distributor

Click to view price, real time Inventory, Delivery & Lifecycle Information:

[FCI](#)

[51752-027LF](#)

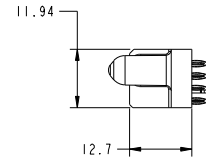
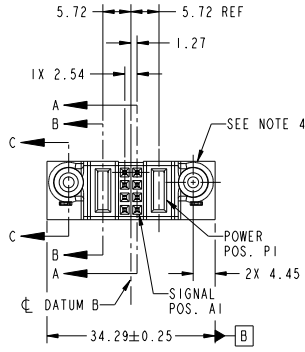
For any questions, you can email us directly:

sales@integrated-circuit.com

Tous droits strictement réservés. Reproduction ou communication à des tiers interdite sous quelque forme que ce soit sans autorisation écrite du propriétaire. Propriété de E.F.C.I. Droits de reproduction F.C.I.

All rights strictly reserved. Reproduction or issue to third parties in any form whatever is not permitted without written authority from the proprietor. Property of F.C.I. Copyright F.C.I.

| PRODUCT NO. | ROWS | I 2 | | | | |
|-------------------------|--------|-------|--------|-------|-------|-------|
| | | POWER | SIGNAL | POWER | POWER | POWER |
| 51752-027... NOTE: 3 | D A | E2 | P2 | Z1 | P1 | E1 |
| | | | | | | |



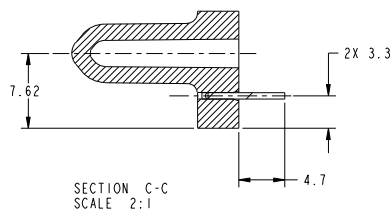
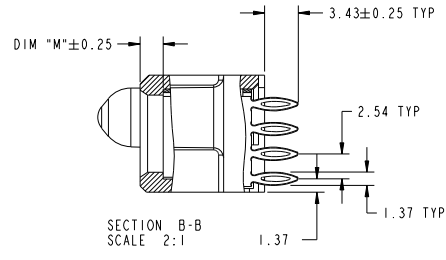
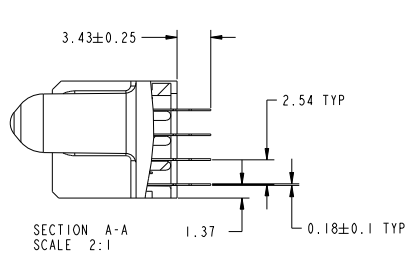
| CODE | DIM "M" MATING LENGTH | CONTACT TYPE |
|------|-----------------------|--------------|
| PF | [2.34] | POWER |
| PC | [1.07] | POWER |
| F | [N/A] | SIGNAL |
| HA | [N/A] | HOLD-DOWN |

| mat'l code | | SEE NOTES | | tolerances unless otherwise specified | | CUSTOMER | |
|-------------|----------------|-----------|----------|---------------------------------------|----------------------|------------|----------------------------|
| ltr | ecm no. | dr | date | linear | 0.X ± 0.5 | COPY | www.fciconnect.com |
| A | DG10-0326 | JW | 09/09/10 | | 0.XX ± 0.25 | projection | |
| | | | | angles | 0.XXX ± 0.1 | | title |
| | | | | dr | 0° ± 2° | MM | IP + 8S + IP |
| | | | | enr | JULIA WANG 02/03/09 | scale | VERTICAL PRESS-FIT RECEIPT |
| | | | | chr | JULIA WANG 02/03/09 | 1:1 | product family |
| | | | | oppd | PM ZHENG 02/03/09 | | PwrBlade |
| | | | | | JOSEPH HSIA 02/03/09 | | size |
| sheet index | revision sheet | A 1 | A 2 | A 3 | A 4 | | dwg no |
| | | | | | | | A 51752-027 |
| | | | | | | | code |
| | | | | | | | 213 |
| | | | | | | | sheet |
| | | | | | | | 1 of 4 |
| | | | | | | | code |
| | | | | | | | 22526 |

Tous droits strictement réservés. Reproduction ou communication à des tiers interdite sous quelque forme que ce soit sans autorisation écrite du propriétaire. Propriété de FCI. Droits de reproduction FCI.

All rights strictly reserved. Reproduction or issue to third parties in any form whatever is not permitted without written authority from the proprietor. Property of FCI. Copyright FCI.

PRODUCT NUMBER
51752-027...
NOTE: 3



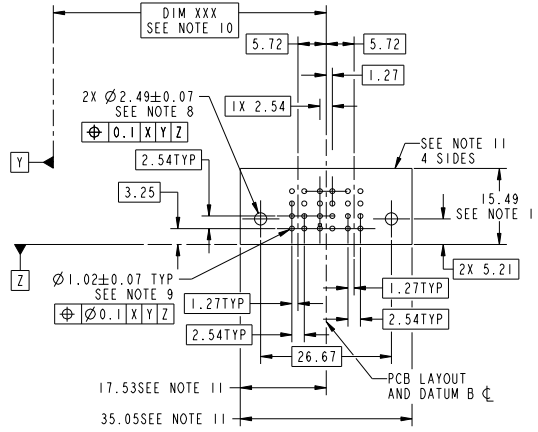
| mat'l code | | | | tolerances unless otherwise specified | | CUSTOMER | | FCI | |
|-------------|----------------|----|------|---------------------------------------|----------------------|------------|--------------------|----------------------------|-----------|
| ltr | ecm no. | dr | date | linear | 0.X ±0.5 | COPY | www.fciconnect.com | | |
| A | | | | | 0.XX ±0.25 | projection | | title | |
| | | | | | 0.XXX ±0.1 | | | IP + 8S + IP | |
| | | | | angles | 0° ±2° | | | VERTICAL PRESS-FIT RECEIPT | |
| | | | | dr | JULIA WANG 02/03/09 | scale | | product family | PwrBlade |
| | | | | enrg | JULIA WANG 02/03/09 | 1:1 | | size | A |
| | | | | chr | PM ZHENG 02/03/09 | | | dwg no | 51752-027 |
| | | | | oppd | JOSEPH HSIA 02/03/09 | | | code | 213 |
| sheet index | revision sheet | | | | | | | sheet | 2 of 4 |
| | | | | | | | | cage code | 22526 |

Tous droits strictement réservés. Reproduction ou communication à des tiers interdite sous quelque forme que ce soit sans autorisation écrite du propriétaire. Propriété de FCI. Droits de reproduction FCI.



All rights strictly reserved. Reproduction or issue to third parties in any form whatever is not permitted without written authority from the proprietor. Property of FCI. Copyright FCI.

PRODUCT NUMBER
51752-027...
NOTE: 3



RECOMMENDED PCB LAYOUT

| mat'l code | | | | tolerances unless otherwise specified | | CUSTOMER | |
|-------------|----------------|------|-------------|---------------------------------------|------------|----------------------------|----------|
| ltr | ecm no. | dr | date | 0.X ±0.5 | COPY | www.fciconnect.com | |
| A | | | | 0.XX ±0.25 | projection | title | |
| | | | | 0.XXX ±0.1 | | IP + 8S + IP | |
| | | | | angles 0° ±2° | | VERTICAL PRESS-FIT RECEIPT | |
| | | dr | JULIA WANG | 02/03/09 | scale | product family | PwrBlade |
| | | enr | JULIA WANG | 02/03/09 | 1:1 | size | code |
| | | chr | PM ZHENG | 02/03/09 | | dwg no | 213 |
| | | oppd | JOSEPH HSIA | 02/03/09 | | 51752-027 | sheet |
| sheet index | revision sheet | | | | | | 3 of 4 |
| | | | | | | cage code | 22526 |

Pro/E

PDM: Rev:A

STATUS: Released

Printed: Dec 20, 2010

Tous droits strictement réservés. Reproduction ou communication à des tiers interdite sous quelque forme que ce soit sans autorisation écrite du propriétaire. Propriété de FCI. Droits de reproduction FCI.

All rights strictly reserved. Reproduction or issue to third parties in any form whatever is not permitted without written authority from the proprietor. Property of FCI. Copyright FCI.

PRODUCT NUMBER
51752-027-
NOTE: 3

NOTES:

1. DIMENSIONS AND TOLERANCES ARE IN ACCORDANCE WITH ASME Y14.5M, 1994 UNLESS OTHERWISE SPECIFIED.

CONNECTOR NOTES:

- ② HOUSING MATERIAL: UL 94 V-0 GLASS FILLED HIGH-TEMP THERMOPLASTIC
POWER CONTACT MATERIAL: COPPER ALLOY
SIGNAL PIN MATERIAL: COPPER ALLOY
- 3. PLATING SPEC.
SEE ITEM 7 & 8 IN PRINT 10064183 FOR PLATING SPEC. OF 51752-027, 51752-027LF RESPECTIVELY.

④ MANUFACTURER'S NAME, P/N, AND DATE CODE TO APPEAR ON THIS SURFACE.

5. PRODUCT SPECIFICATION GS-12-149.
APPLICATION SPECIFICATION BUS-20-067.

6. PACKAGED IN TRAYS.

PCB NOTES:

- 7. ALL HOLE DIAMETERS ARE FINISHED HOLE SIZE.
- ⑧ MOUNTING HOLES, WHERE APPLICABLE, ARE UNPLATED.
- ⑨ $\varnothing 1.151 \pm 0.025$ DRILLED HOLES PLATED WITH 0.008 MIN SnPb OR Sn OVER 0.03 TO 0.08 Cu PLATING TO ACHIEVE $\varnothing 1.02 \pm 0.07$ HOLE.
- ⑩ "DIM XXX" TO BE DETERMINED BY THE CUSTOMER.
- ⑪ CONNECTOR KEEP-OUT ZONE.
- 12. THE VOID CORING IN BETWEEN POWER MODULES, SIGNAL MODULES AND END MODULES ARE OPTIONAL AND THE SHAPE MAY BE DIFFERENT FOR OPTIMIZE THE MOLDING PROCESS. THE VOID CORING WILL NOT EFFECT TO PRODUCT FUNCTION.

| mat'l code | | | | tolerances unless otherwise specified | | CUSTOMER | | FCI | |
|-------------|----------------|----|------|---------------------------------------|----------------------|----------------|----------------------------|--------------------|--------|
| ltr | ecm no. | dr | date | linear | 0.X ± 0.5 | COPY | | www.fciconnect.com | |
| A | | | | | 0.XX ± 0.25 | projection | title | | |
| | | | | angles | 0.XXX ± 0.1 | | IP + 8S + IP | | |
| | | | | dr | 0° ± 2° | | VERTICAL PRESS-FIT RECEIPT | | |
| | | | | enr | JULIA WANG 02/03/09 | product family | PwrBlade | code | 213 |
| | | | | chr | JULIA WANG 02/03/09 | size | dwg no | sheet | 4 of 4 |
| | | | | oppd | PN ZHENG 02/03/09 | scale | 51752-027 | | |
| | | | | | JOSEPH HSIA 02/03/09 | 1:1 | | | |
| sheet index | revision sheet | | | | | | | | |

Pro/E

cage code 22526